

# Continuum Frame

## Idler Rail Instructions Version 2

<b>Table of Contents</b> .....	i
<b>Parts List</b>	
Parts List.....	ii
<b>Setup &amp; Assembly</b>	
Step 1: Disassembly .....	1
Step 2: Idler Rail Bracket Assembly .....	1
Step 3: Re-install Ratchet Stop.....	3
Step 4: Idler Rail Assembly .....	4
Step 5: Rail Installation.....	5

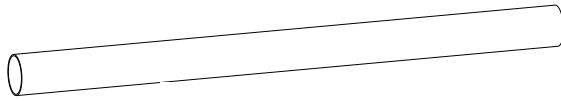
**Parts List** | Idler Rail



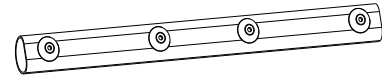
Idler Rail  
Fixed End (1)



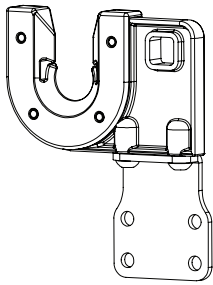
Idler Rail  
Floating End (1)



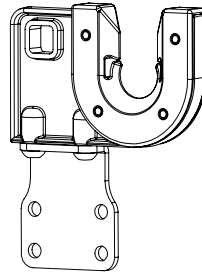
Idler Rail Middle  
Section (2)



Idler Rail  
Coupler (3)



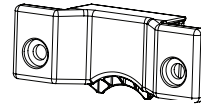
Left Top Rail  
Holder  
(1)



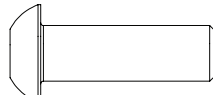
Right Top  
Rail Holder  
(1)



Top Rail Holder  
Bracket Spacer (2)



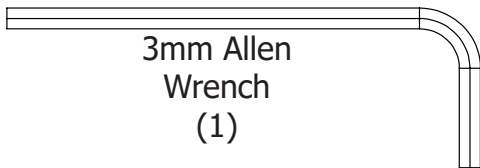
Rail Cap  
(2)



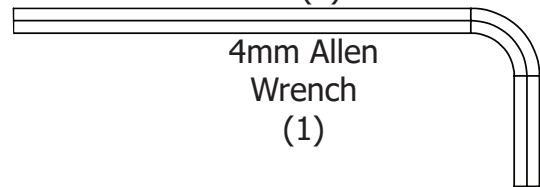
M8 x 16mm  
SBHCS (4)



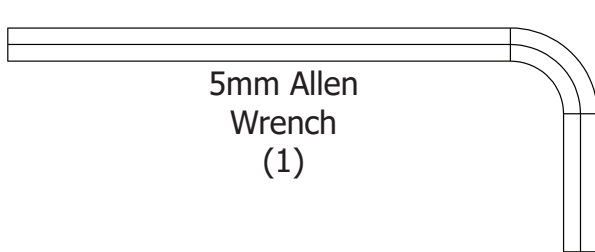
M5 x 20mm  
SBHCS (4)



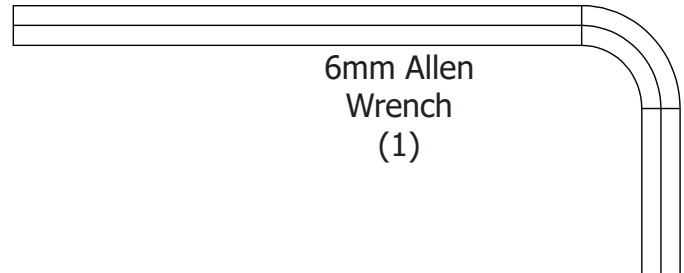
3mm Allen  
Wrench  
(1)



4mm Allen  
Wrench  
(1)



5mm Allen  
Wrench  
(1)



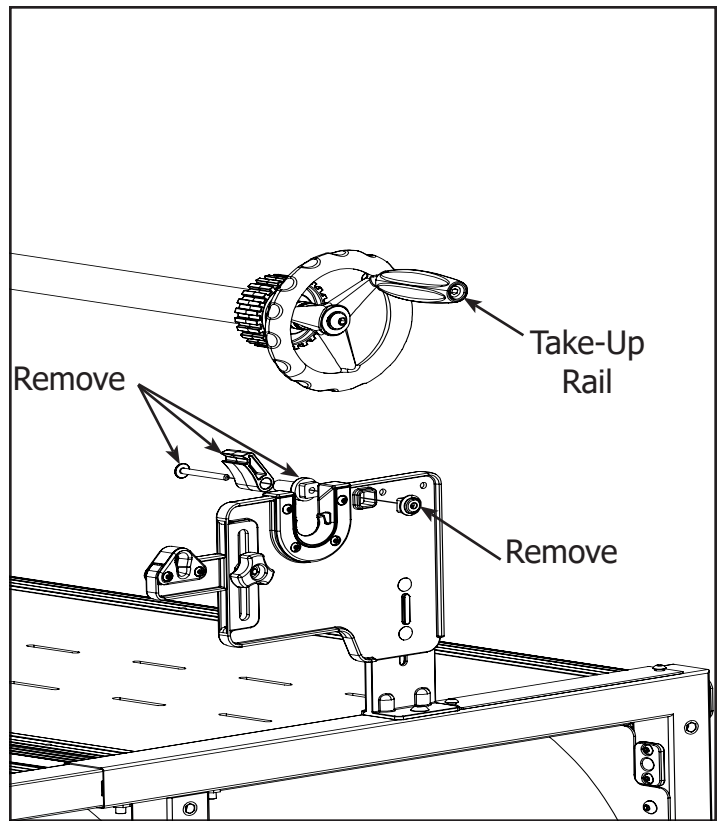
6mm Allen  
Wrench  
(1)

# Setup and Assembly

## Step 1 - Hand Rail and Ratchet Removal

Tools Needed:

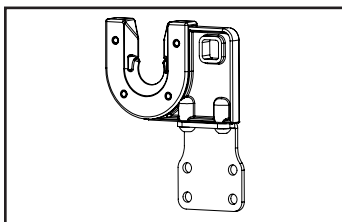
4mm Allen Wrench



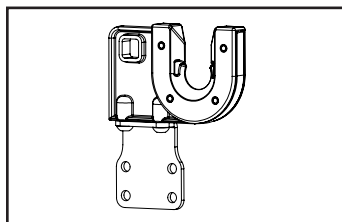
1-1 Remove Take-Up Rail and Ratchet Assembly, set aside.

## Step 2 - Idler Rail Bracket Assembly

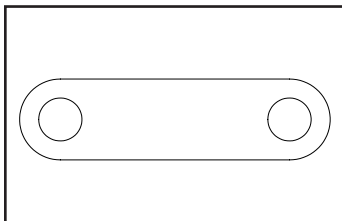
Parts Needed:



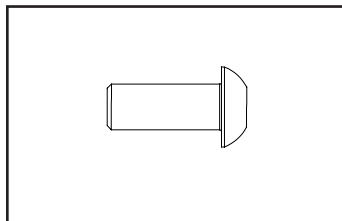
Left Top Rail Holder (1)



Right Top Rail Holder (1)



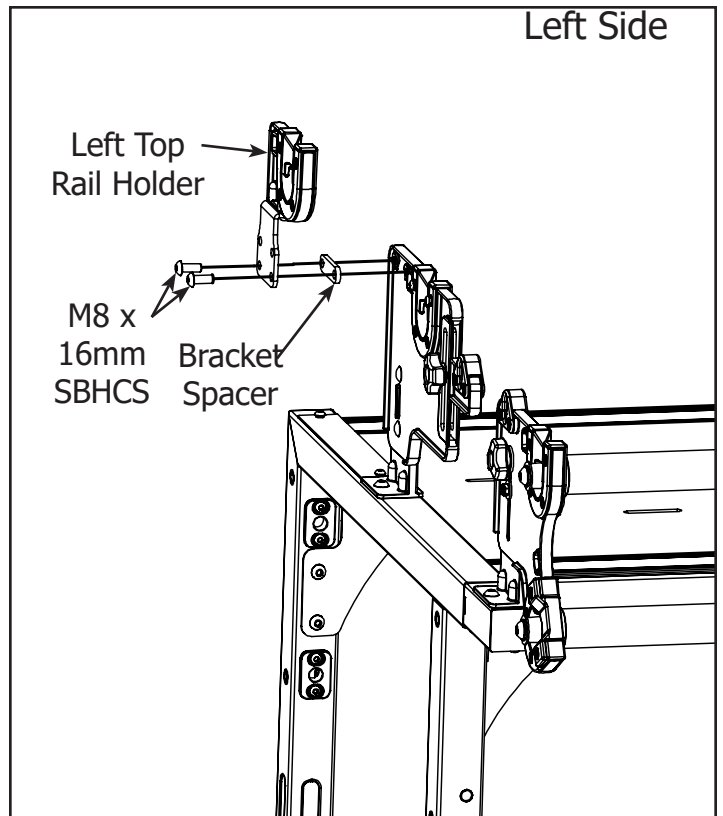
Top Rail Holder Bracket Spacer (2)



M8 x 16mm SBHCS (4)

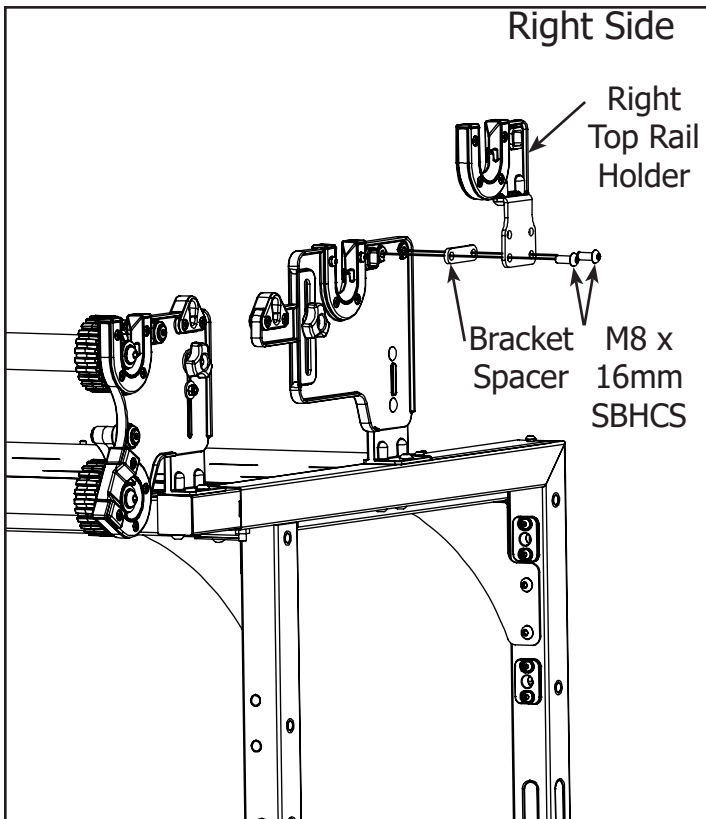
Tools Needed:

5mm Allen Wrench



2-1 Attach Left Top Rail Holder to Non-Ratchet Back Rail Support.

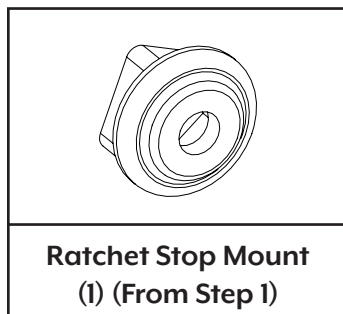
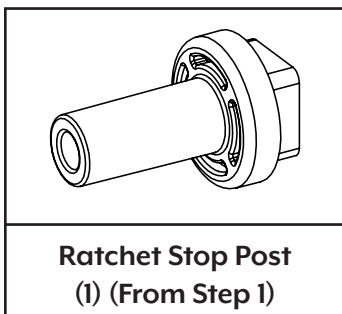
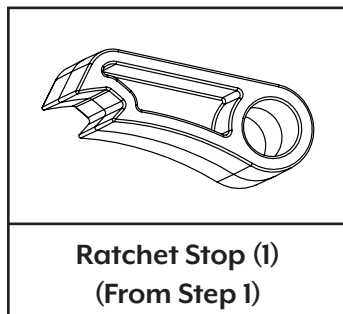
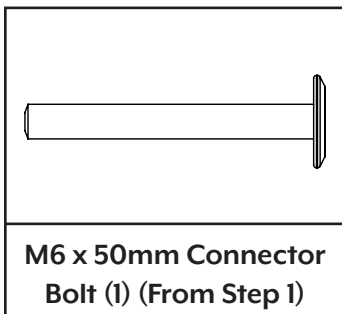
## Setup and Assembly



2-2 Attach Right Top Rail Holder to Ratchet Back Rail Support.

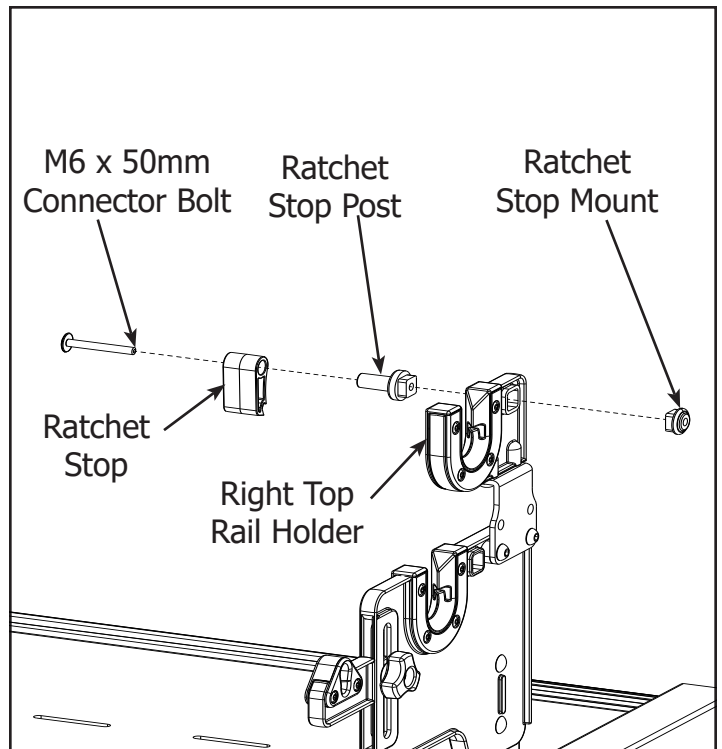
### Step 3 - Re-install Ratchet Stop

Parts Needed:



Tools Needed:

4mm Allen Wrench



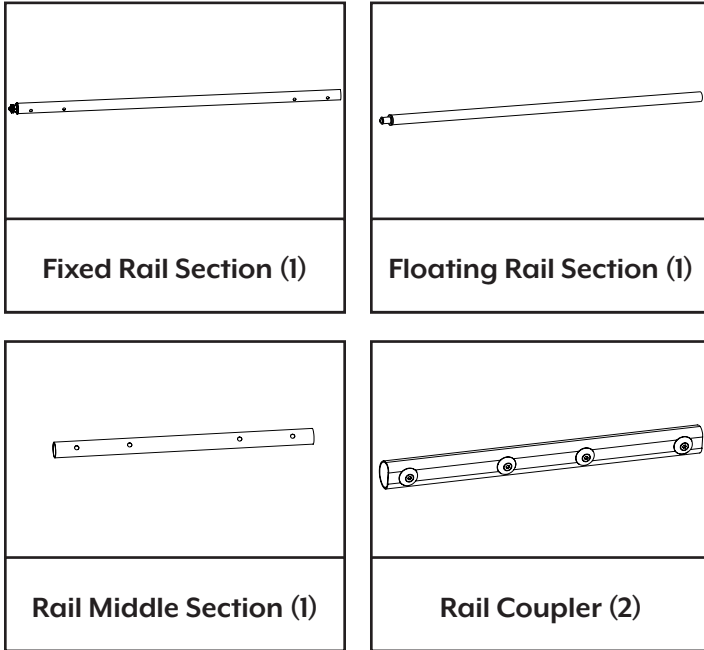
3-1 Install Ratchet Stop on Right Top Rail Holder as shown.

**Note:** Assemble with ratchet stop in orientation shown so the Ratchet will engage on the Take Up Rail.

## Setup and Assembly

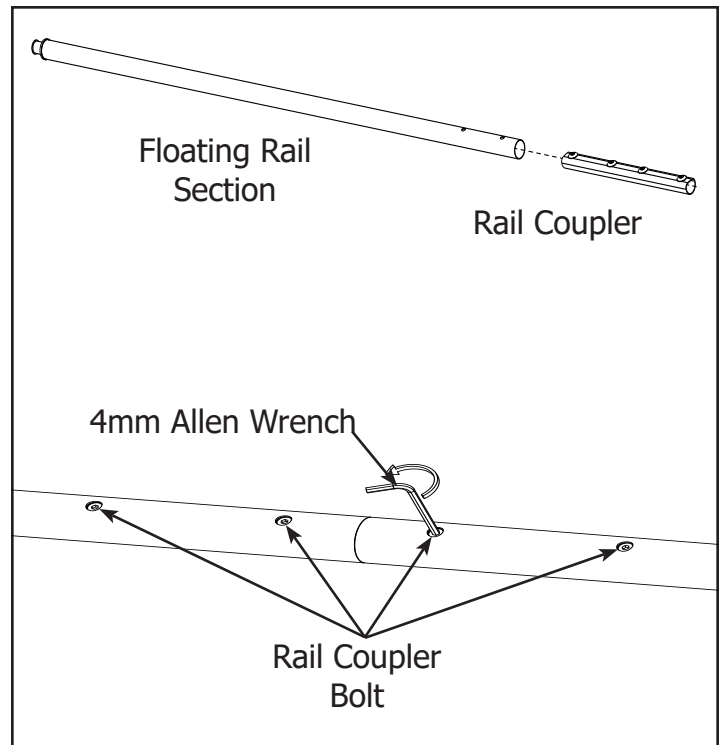
### Step 4 - Idler Rail Assembly

Parts Needed:

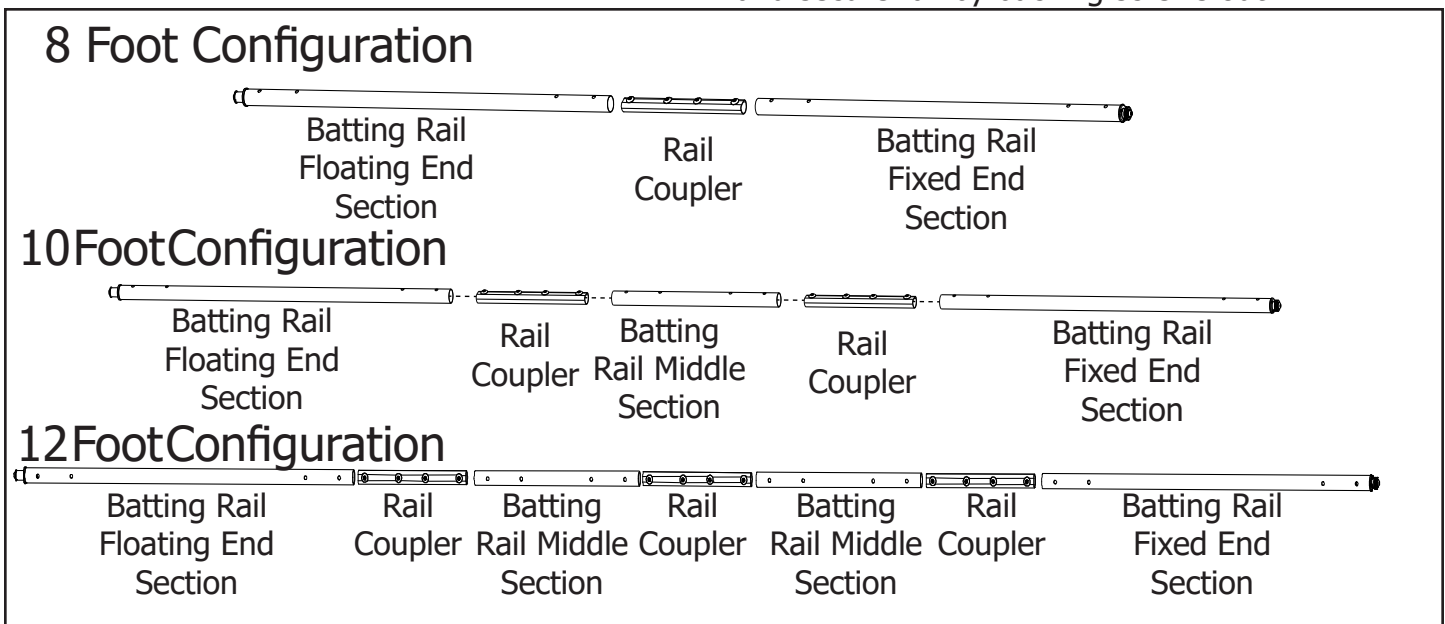


Tools Needed:

4mm Allen Wrench



4-1 Slide Rail Coupler into Floating Rail Section and secure Rail Coupler by backing screws out. Slide the Batting Rail Fixed End Section onto Rail Coupler, tight against the appropriate Rail Section, and secure rail by backing screws out.



4-2 Assemble the Idler Rail.

**Note:** Align holes and tighten on one side then repeat for other side.

For Crib Assembly see Step 4-2a, for the 5 Foot Assembly see Step 4-2b.

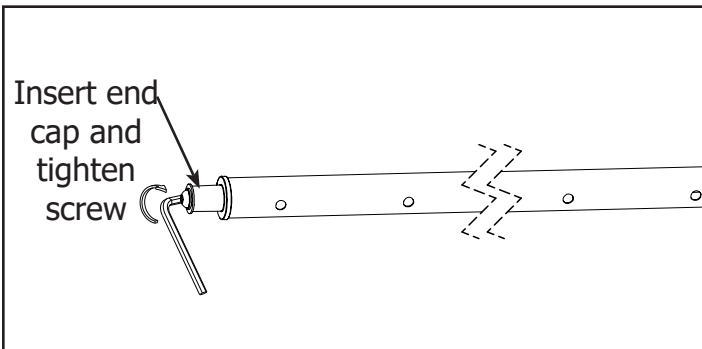
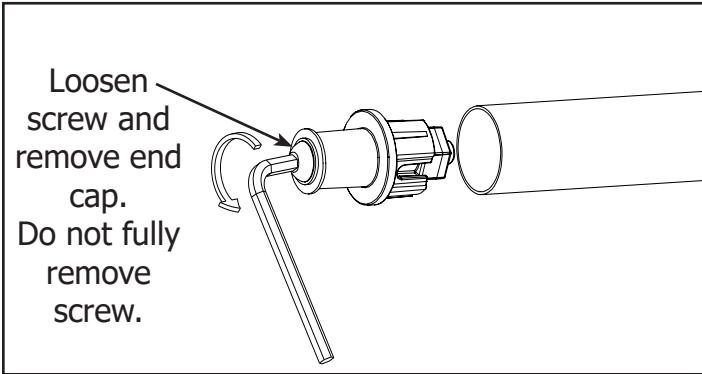
For the 8 foot configuration only use the Idler Rail Fixed End Section, the Idler Rail Floating End Section, and (1) Idler Rail Coupler.

For the 10 foot configuration use the Idler Rail Fixed End Section, the Idler Rail Floating End Section, and (1) Idler Rail Coupler.

For the 12 foot configuration use the Idler Rail Fixed End Section, the Idler Rail Floating End Section, the Idler Rail Middle Section, and (2) Idler Rail Couplers.

## Setup and Assembly

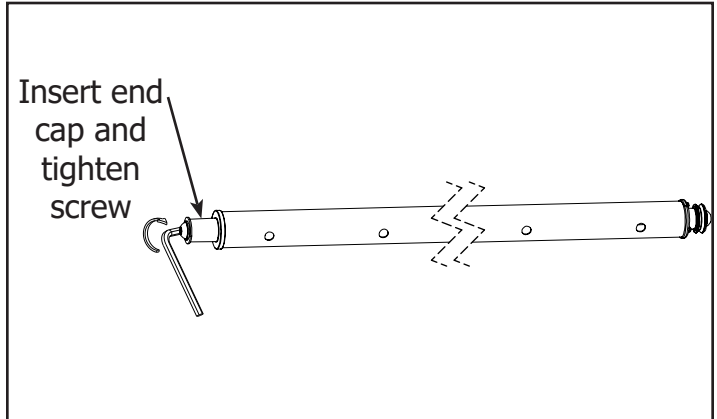
### Crib Assembly



4-2a Remove Floating End Rail Cap from the Floating End Rail Section. Insert the Floating End Rail Cap into the Ratcheting End Rail Section and tighten.

**Note:** Tap screw in to release the rail cap.

### 5 Foot Assembly

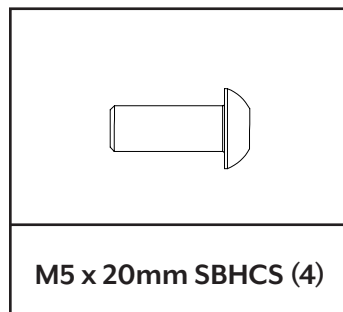
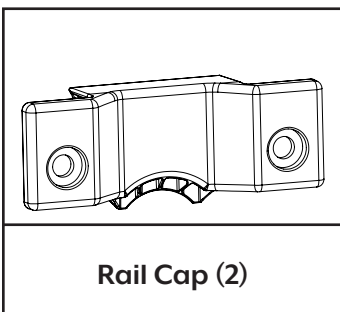


4-2b Remove Floating Rail Cap and the Fixed Rail End Cap from the 4 Foot Rail Sections. Insert the Floating Rail Cap and the Fixed Rail End Cap into a 5 Foot Rail Section from your original packaging and tighten.

**Note:** Tap screw in to release the rail cap.

## Step 5 - Rail Installation

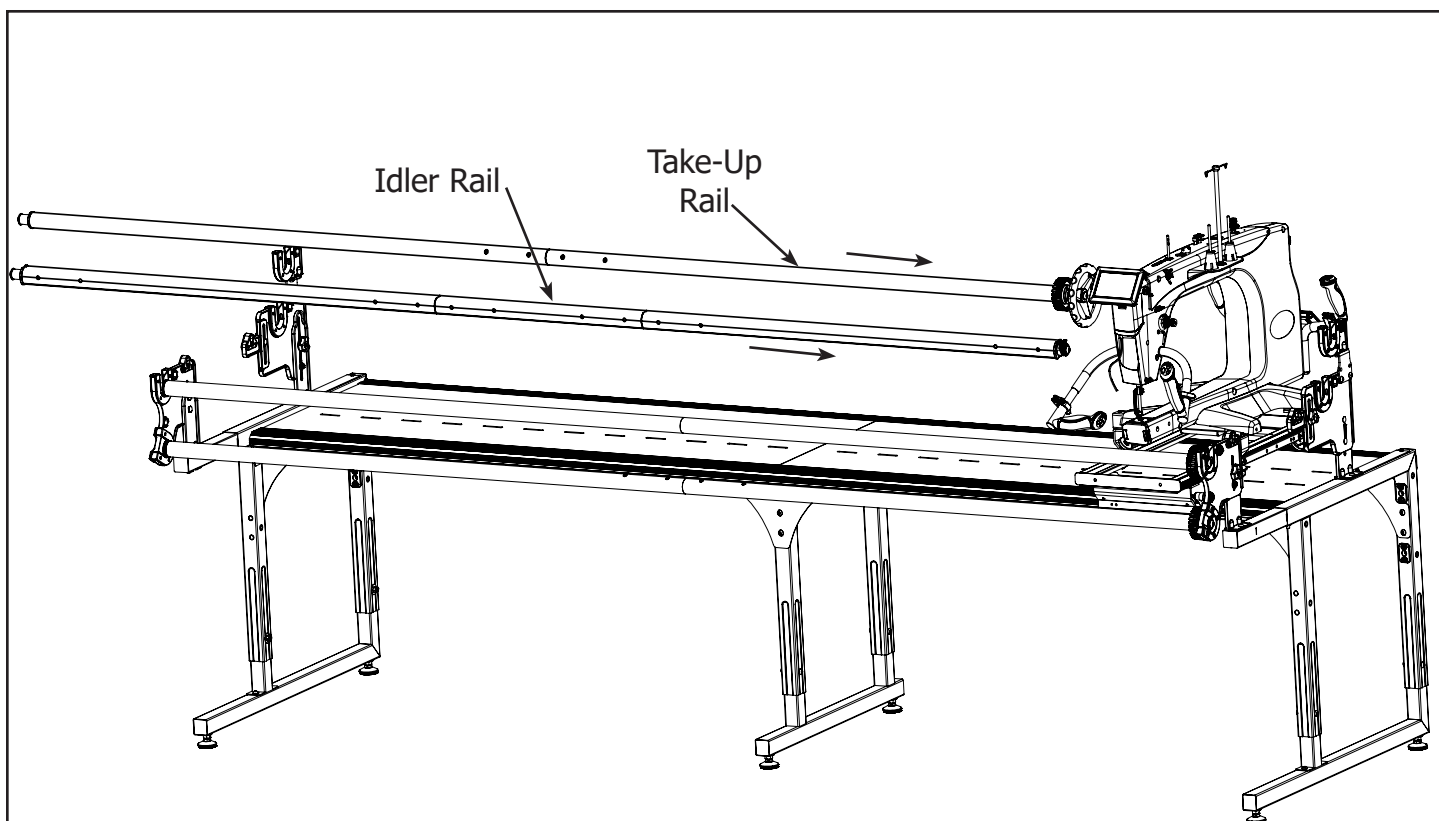
Parts Needed:



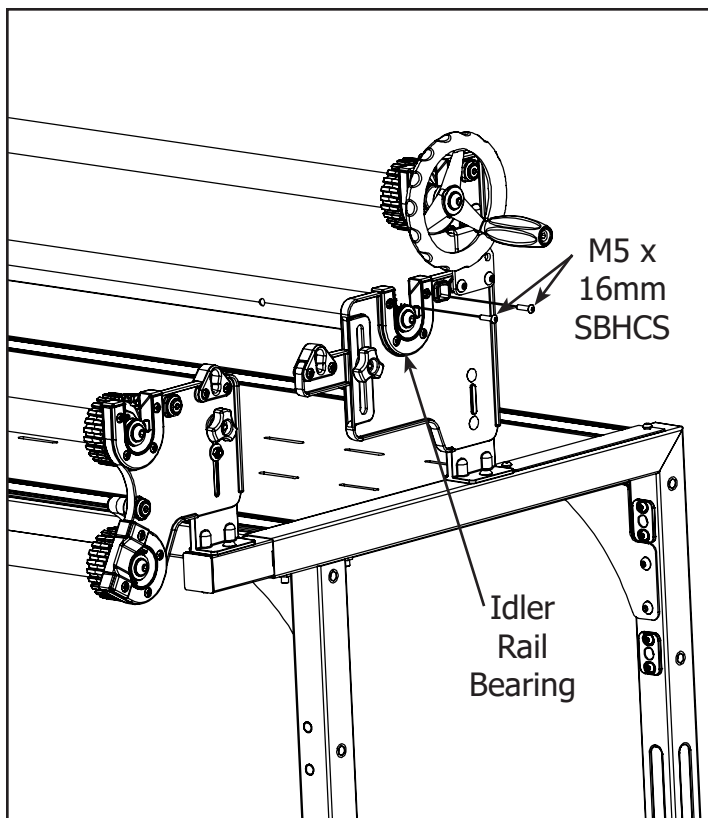
Tools Needed:

3mm Allen Wrench

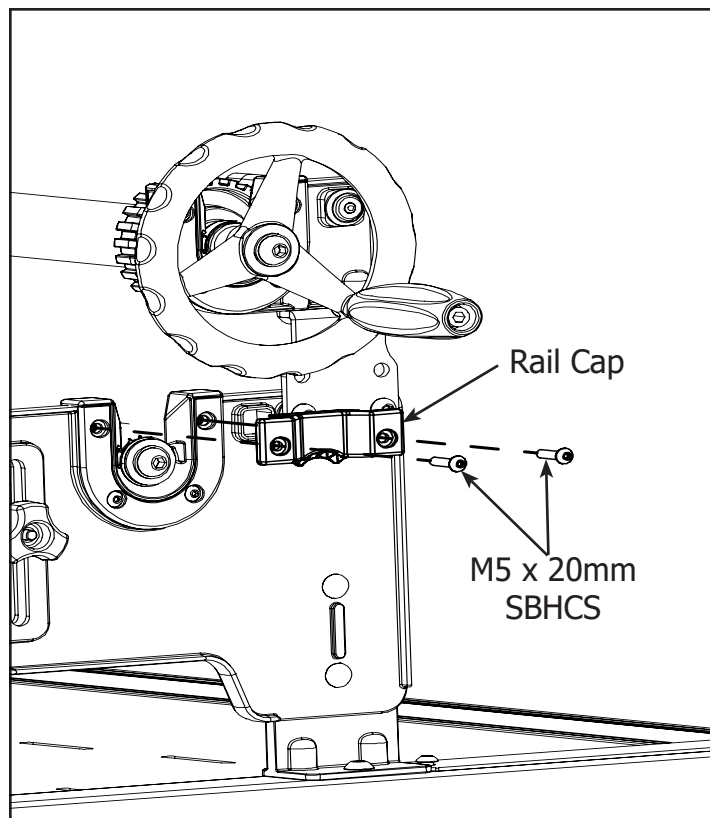
## Setup and Assembly



5-1 Install the Idler Rail and the Take Up Rail.



5-2 Remove the (2) upper M5 x 16mm SBHCS from the Idler Rail Bearing on the right and left sides.



5-3 Install Rail Caps on the left and right side of the Idler Rail.

**The Grace Company**  
**2225 South 3200 West**  
**Salt Lake City, UT 84119**  
**Phone: 1-800-264-0644**  
**[www.graceframe.com](http://www.graceframe.com)**

