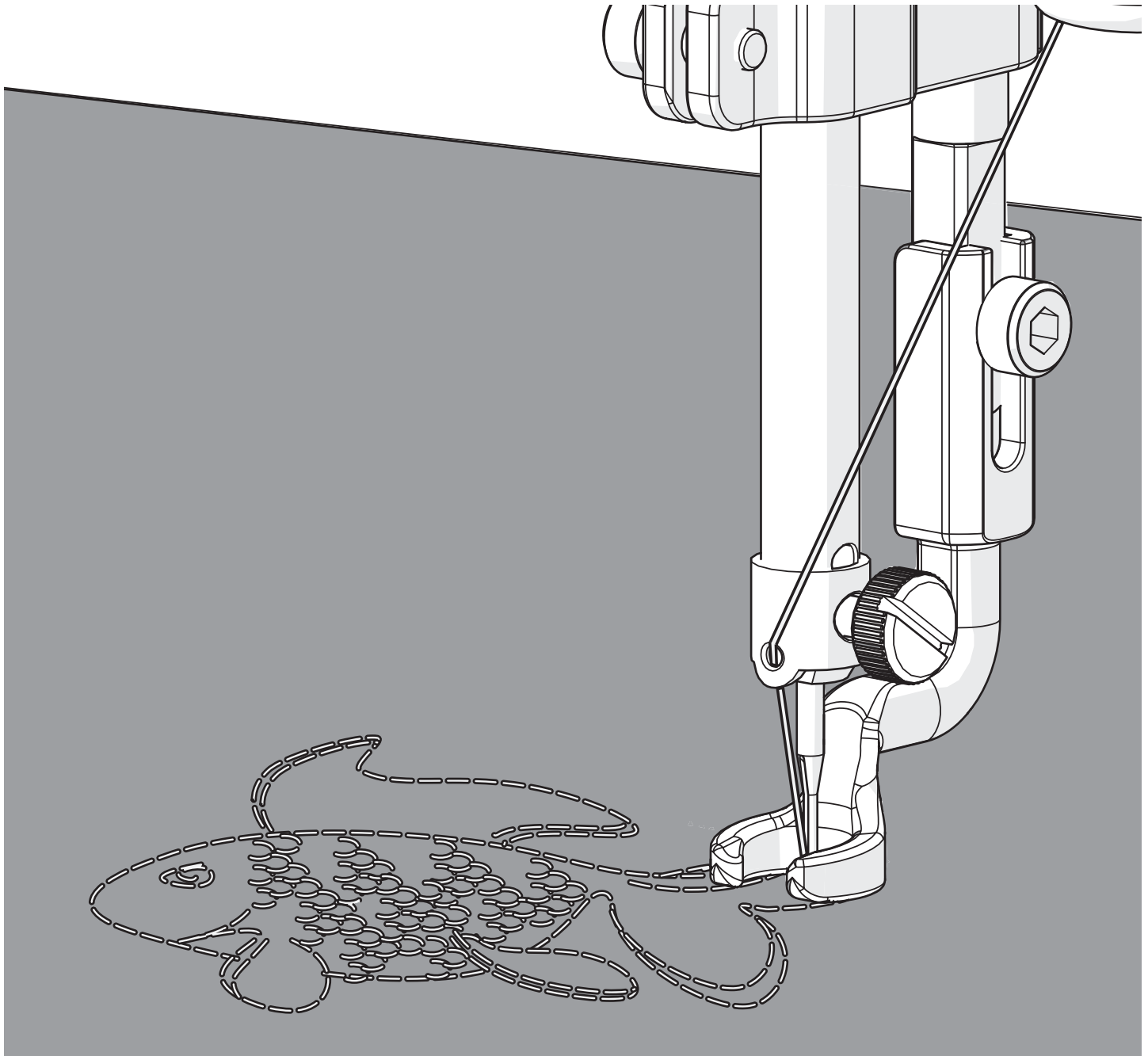


4-Piece Accessory Hopping Foot

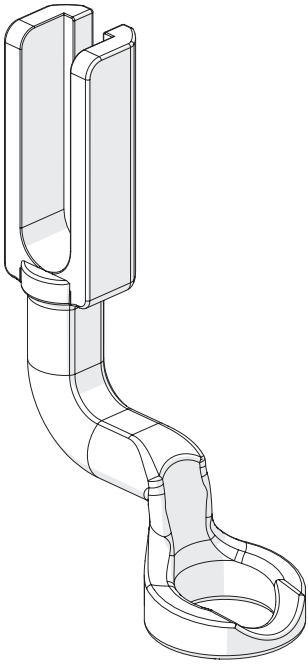
Installation for the 19" Quilting Machine



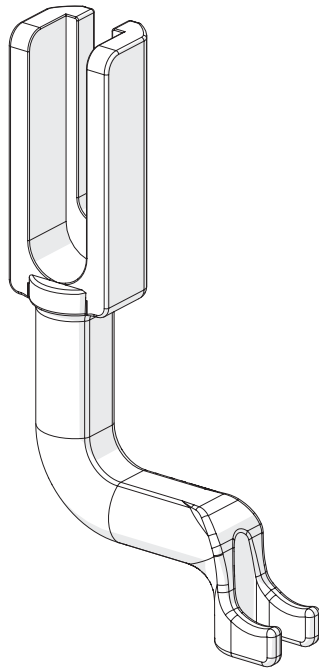
Copyright Jan 21, 2021
Grace Company
(Reproduction Prohibited)
Version 1.1

MADE BY
Grace

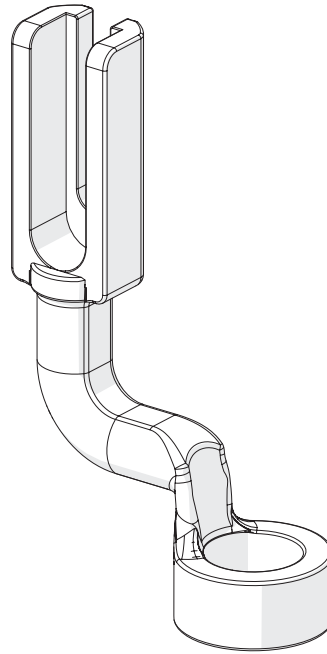
Included Parts



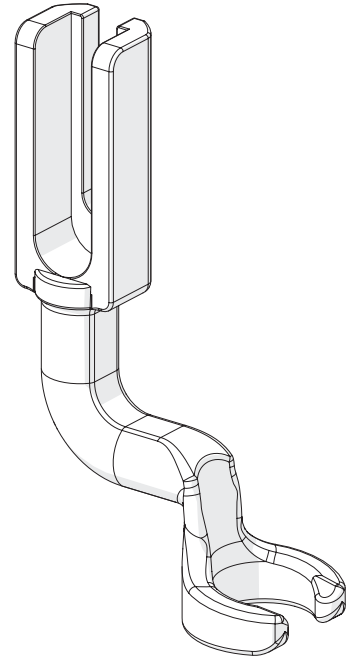
**Standard
Hopping Foot
SMP-04-10057**



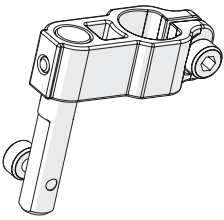
**Micro-Stippling
Foot
SMP-04-11708**



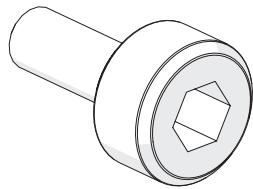
**Ruler Foot
SMP-04-11709**



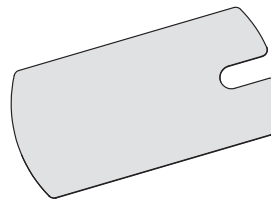
**Open-Toe Foot
SMP-04-11707**



**Presser Foot
Collar SM19
SMP-09-14525**



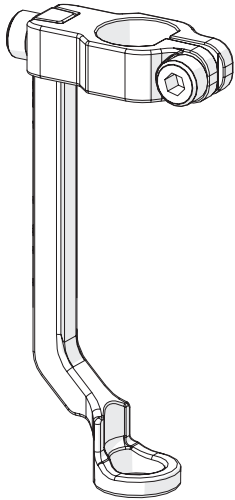
**SHCS
M3 x 8 mm (x4)
(2 pre-installed)
HDW-03-10966**



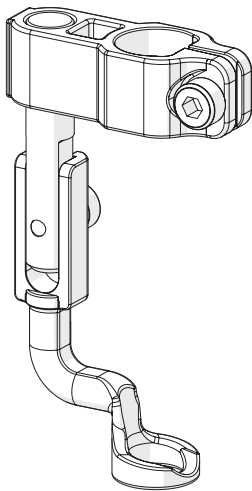
**Hopping Foot
Height Gauge
SMP-03-12171**

IMPORTANT: READ FIRST

The standard hopping foot installed on your machine may not match the standard hopping foot found in this kit.



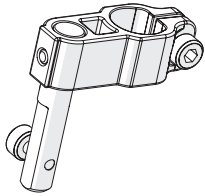
If this is the hopping foot on your machine, go to “Upgrading the Hopping Foot” on page 4.



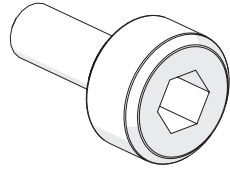
If this is the hopping foot on your machine, go to “Switching the Accessory Feet” on page 6.

Upgrading the Hopping Foot

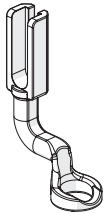
Required Parts & Tools:



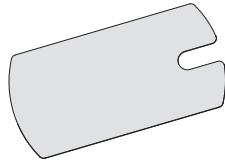
Hopping Foot Collar



Hopping Foot Screw

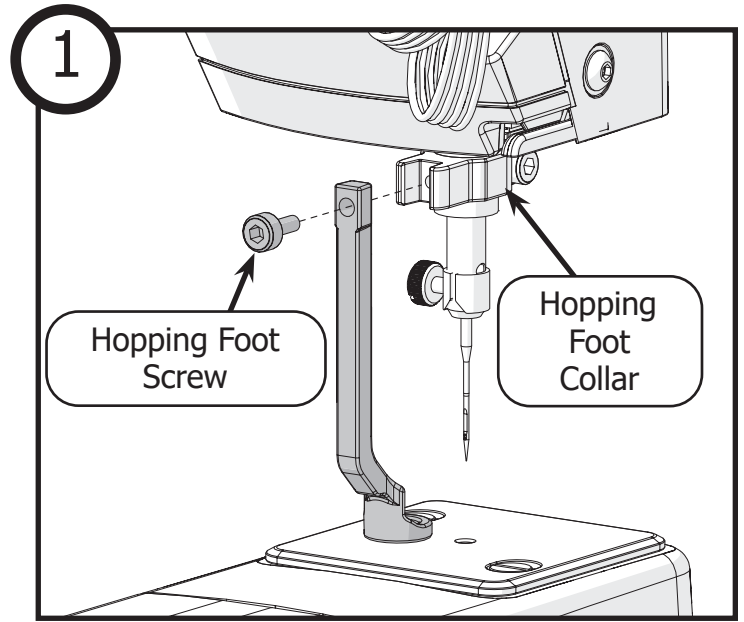


Standard Hopping Foot

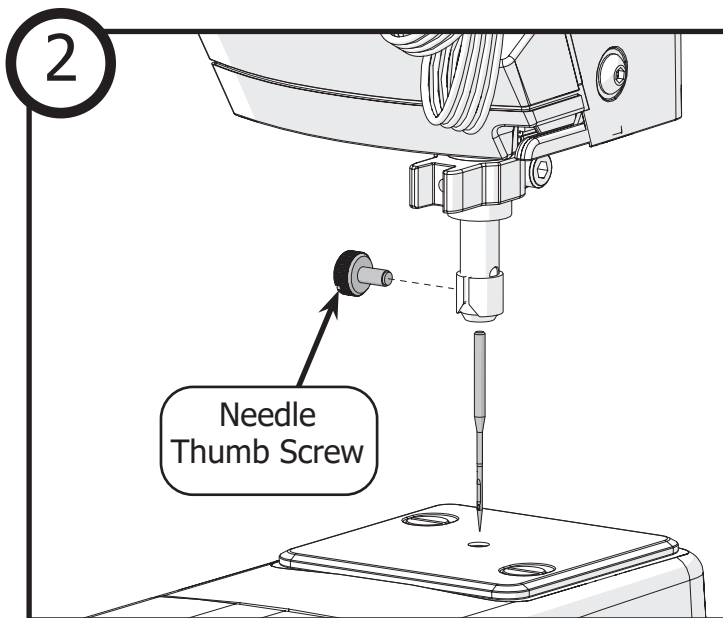


Hopping Foot Height Gauge

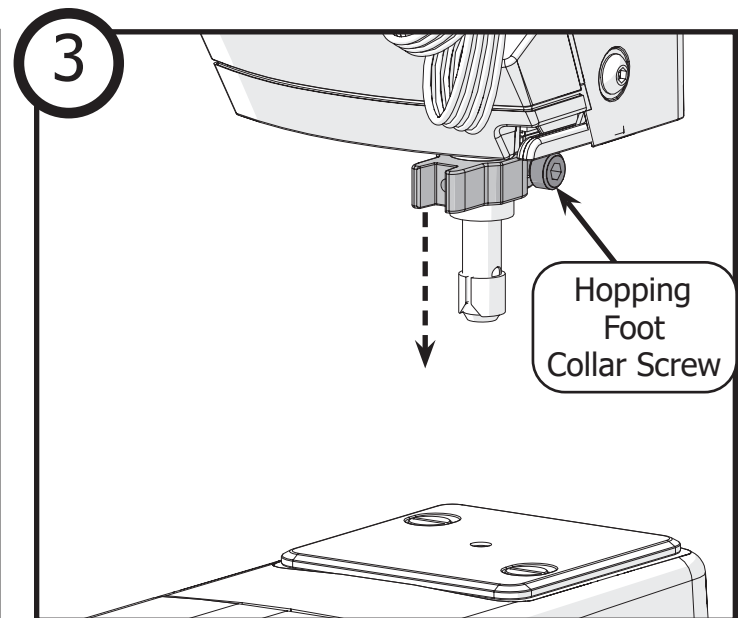
Allen Wrench 3 mm (not included)



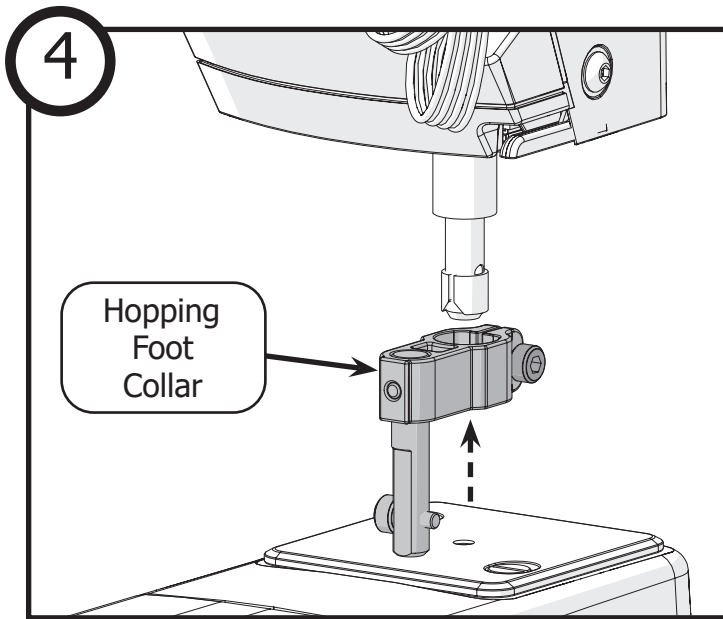
Use a 3 mm Allen wrench to remove the **screw** attaching the hopping foot to the **hopping foot collar** on your machine.



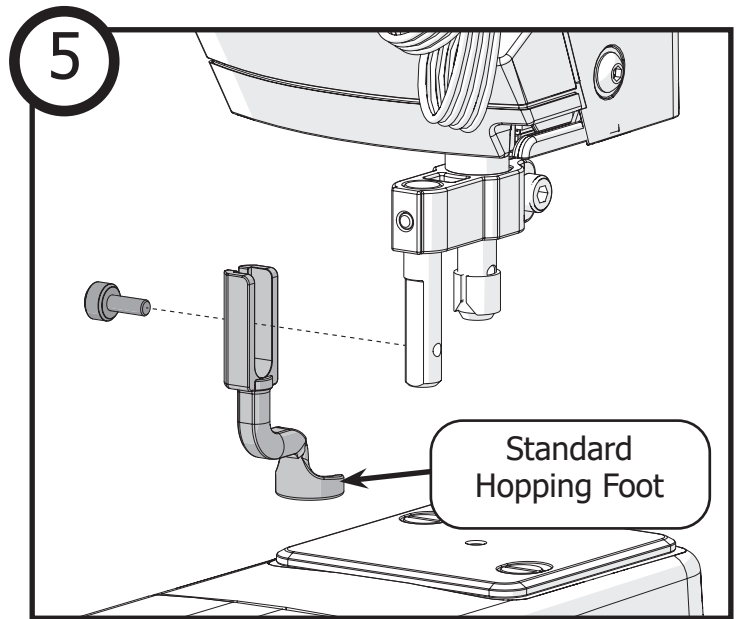
Remove the **needle thumb screw** and pull the needle from the machine.



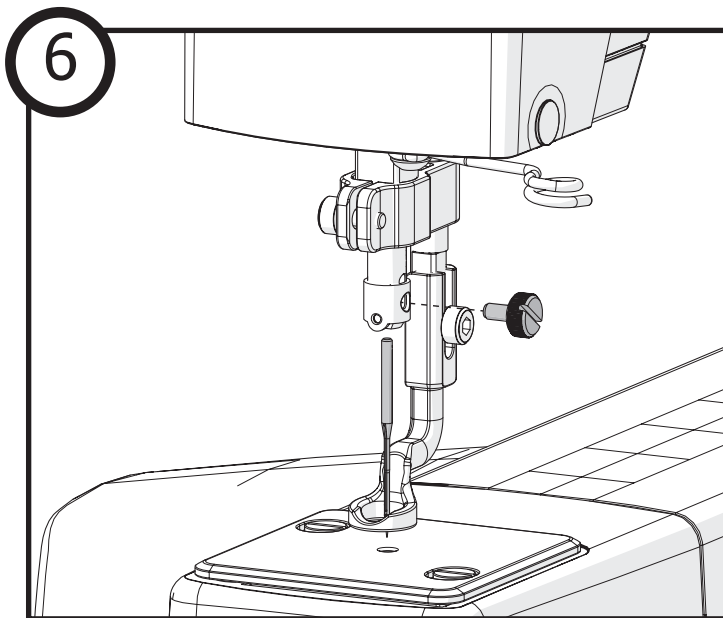
Loosen the **collar screw** with a 3 mm Allen wrench just enough that hopping foot collar can be pulled down off the machine.



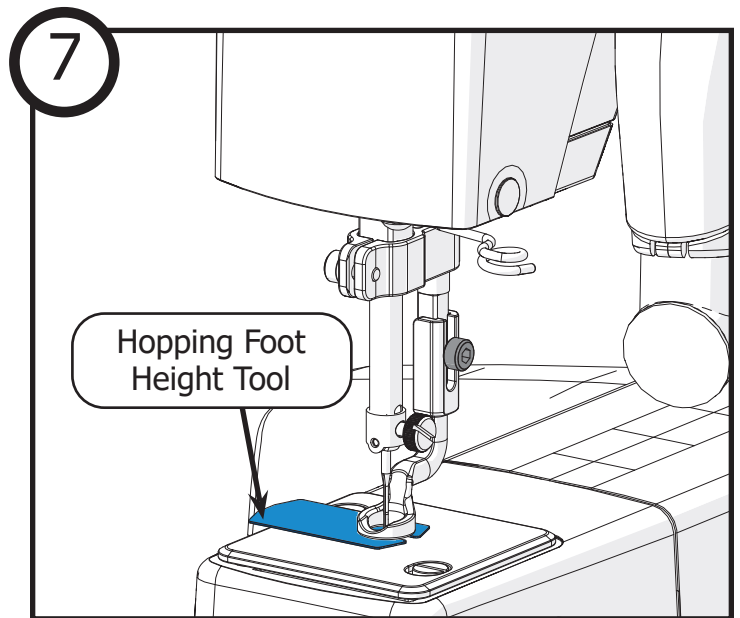
Slide the **hopping foot collar** that came with this kit onto the press bar. Hold in place with the hopping foot collar screw.



Place the upgraded **standard hopping foot** onto the hopping foot collar bar. Attach with a hopping foot screw loosely enough that the hopping foot can slide up and down.



Reinstall your machine's needle and needle thumb screw.

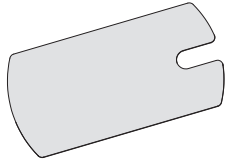


Set hopping foot height: move the machine off of the fabric and drop the needle to the lowest position. Slide the the **hopping foot height tool** beneath the foot. Tighten the hopping foot screw with the 3 mm Allen wrench.

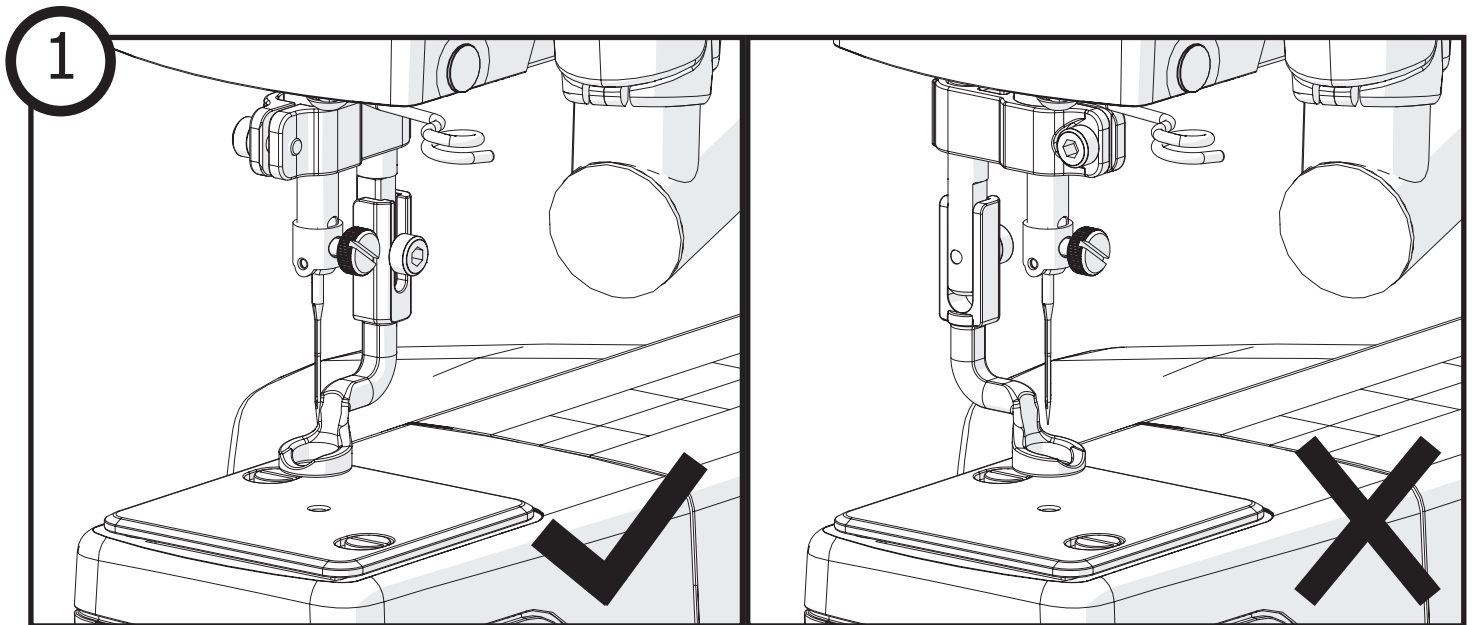
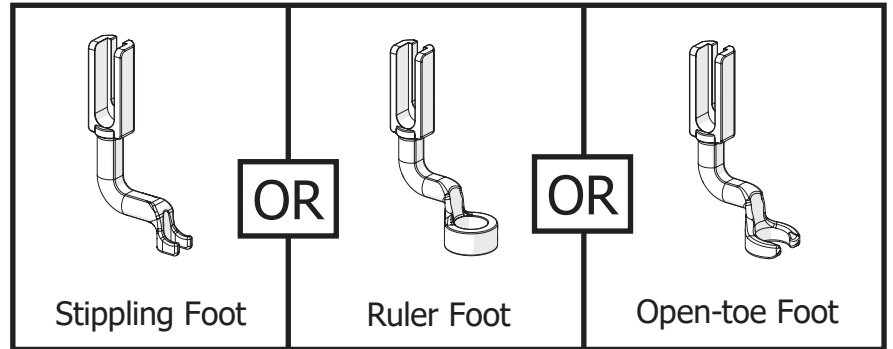
Switching the Accessory Feet

Required Parts & Tools:

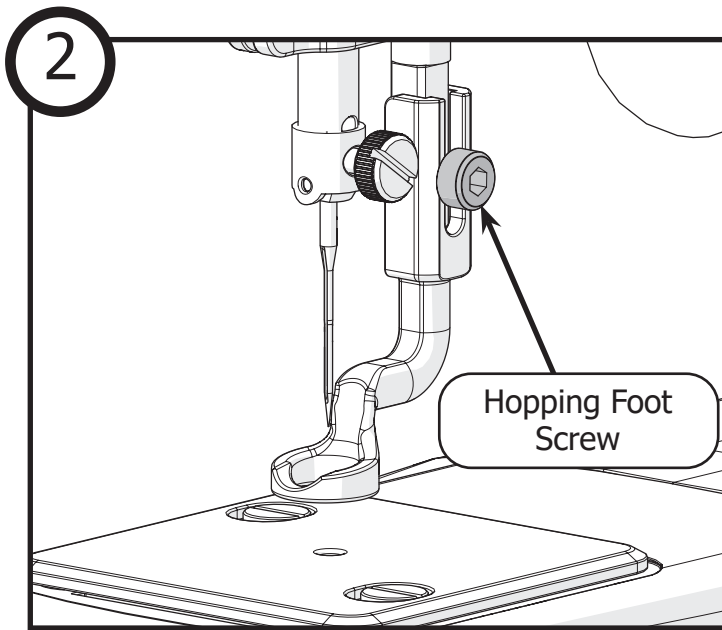
Allen Wrench 3 mm
(not included)



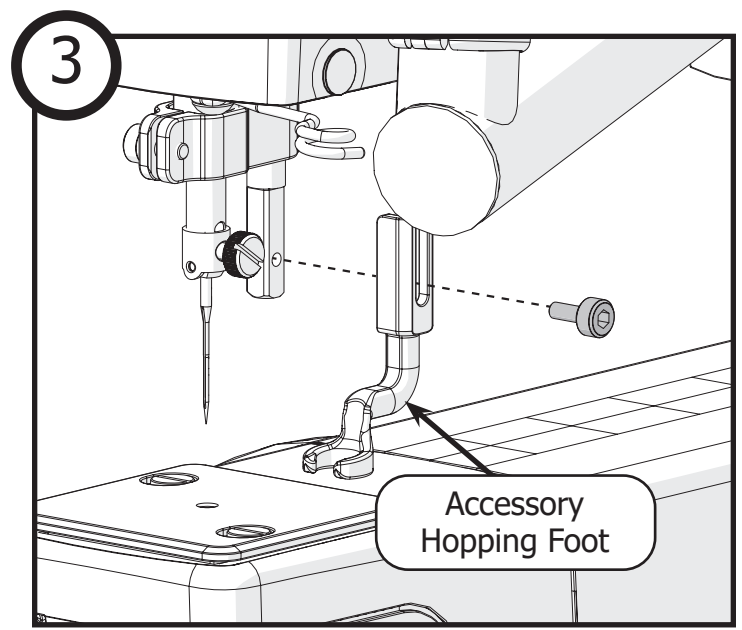
Hopping Foot
Height Gauge



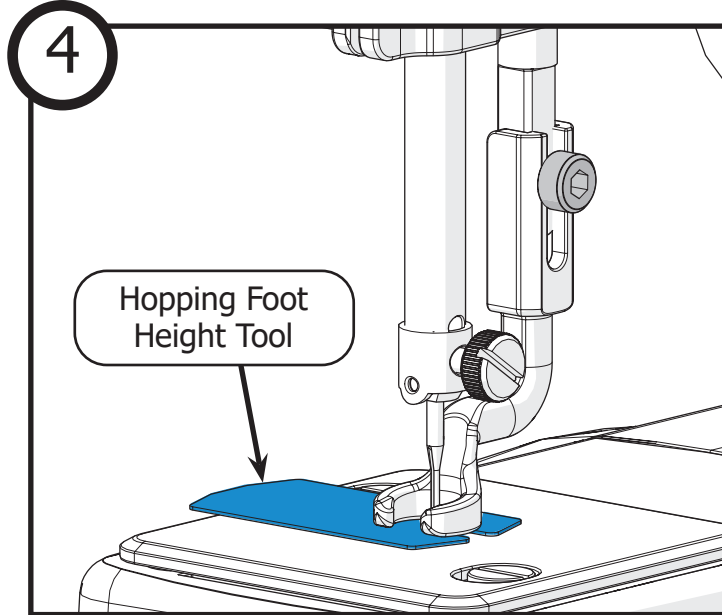
Check the position of your hopping foot. The open toe and stippling accessory feet can only be used if the hopping foot is set directly behind the needle. See your machine manual for instructions on changing the hopping foot orientation.



Remove the **screw** attaching the **hopping foot** to your machine using a 3 mm Allen wrench.



Loosely attach one of the **accessory hopping feet** onto the collar bar with a hopping foot screw.



Set hopping foot height: move the machine off of the fabric and drop the needle to the lowest position. Slide the the **hopping foot height tool** beneath the foot. Tighten the hopping foot screw with the 3 mm Allen wrench.

Note: Reset the hopping foot height every time the hopping foot is swapped out.

The Grace Company
2225 South 3200 West
Salt Lake City, UT 84119
Phone: 1-800-264-0644
Fax: 801-908-8888
www.graceframe.com

