

# 9-Piece Accessory Hopping Foot

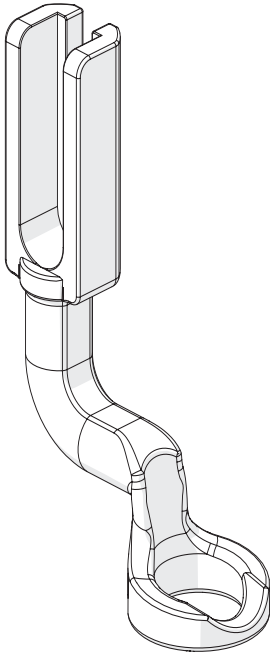
## Installation and Usage for the 21" Quilting Machine



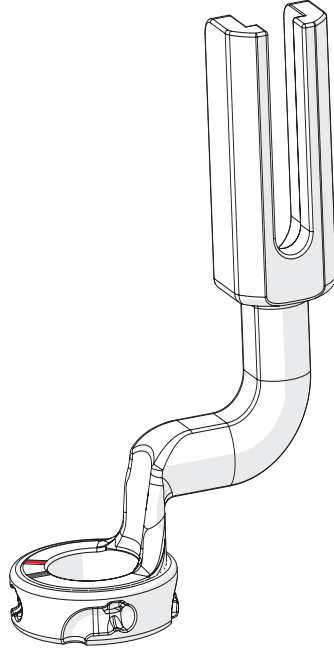
Copyright January 22, 2021  
Grace Company  
(Reproduction Prohibited)  
Version 1.2

MADE BY  
*Grace*

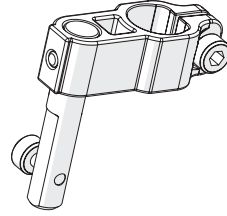
# Included Parts



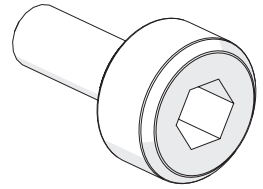
**Standard  
Hopping Foot  
SMP-04-10057**



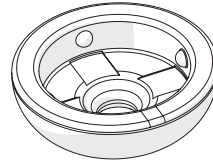
**Attachment  
Hopping Foot  
SMP-04-11706**



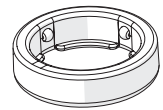
**Presser Foot  
Collar SM21  
SMP-09-14524**



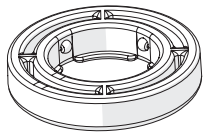
**SHCS  
M3 x 8 mm (x4)  
(2 pre-installed)  
HDW-03-10966**



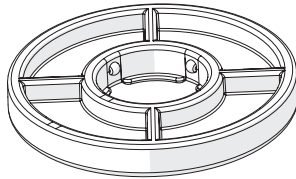
**Glide  
Attachment  
SMP-05-11959**



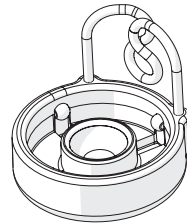
**Echo  
Attachment  
0.75 in  
SMP-05-11955**



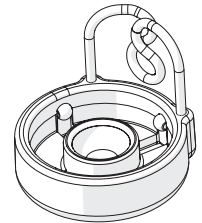
**Echo  
Attachment 1 in  
SMP-05-11953**



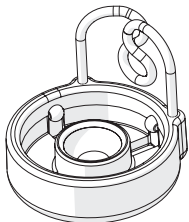
**Echo  
Attachment  
1.5 in  
SMP-05-11954**



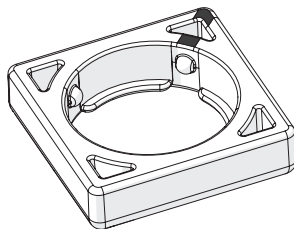
**Small Couching  
Attachment  
SMP-05-11956**



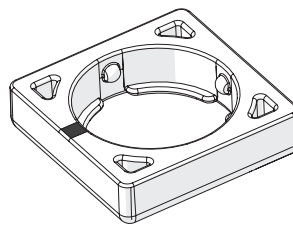
**Medium  
Couching  
Attachment  
SMP-05-11957**



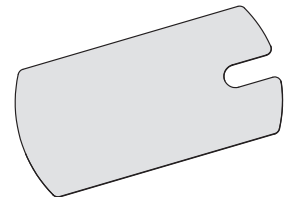
**Large Couching  
Attachment  
SMP-05-11958**



**Square  
Attachment  
SMP-05-11951**



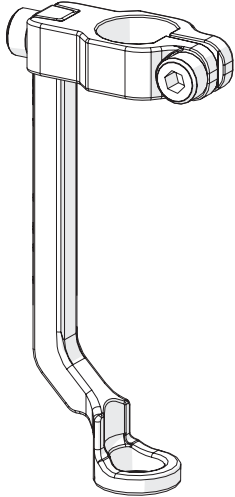
**Diamond  
Attachment  
SMP-05-11952**



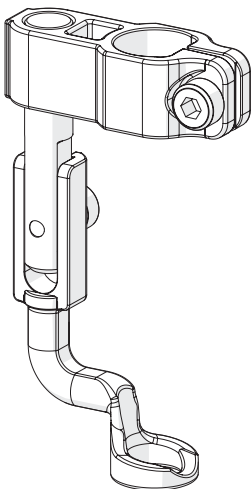
**Hopping Foot  
Height Gauge  
SMP-03-12171**

# IMPORTANT: READ FIRST

The standard hopping foot installed on your machine may not match the standard hopping foot found in this kit.



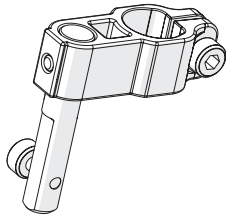
**If this is the hopping foot on your machine,** go to “Upgrading the Hopping Foot” on page 4.



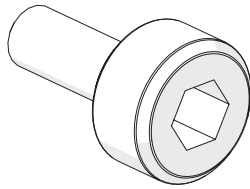
**If this is the hopping foot on your machine,** go to “Installing the Accessory Foot” on page 6.

# Upgrading the Hopping Foot

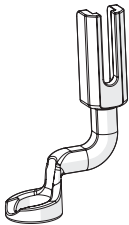
## Required Parts & Tools:



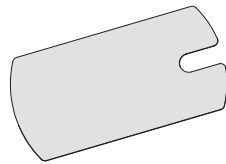
Hopping Foot Collar



Hopping Foot Screw

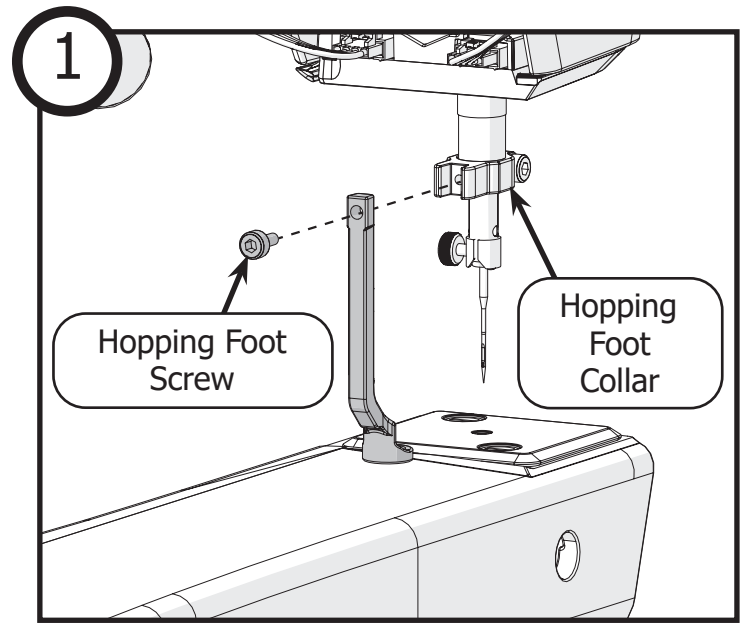


Standard Hopping Foot

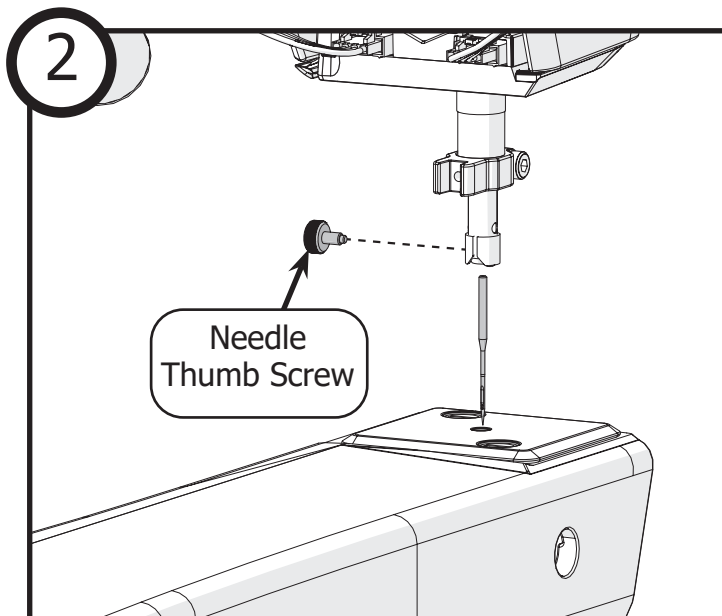


Hopping Foot Height Gauge

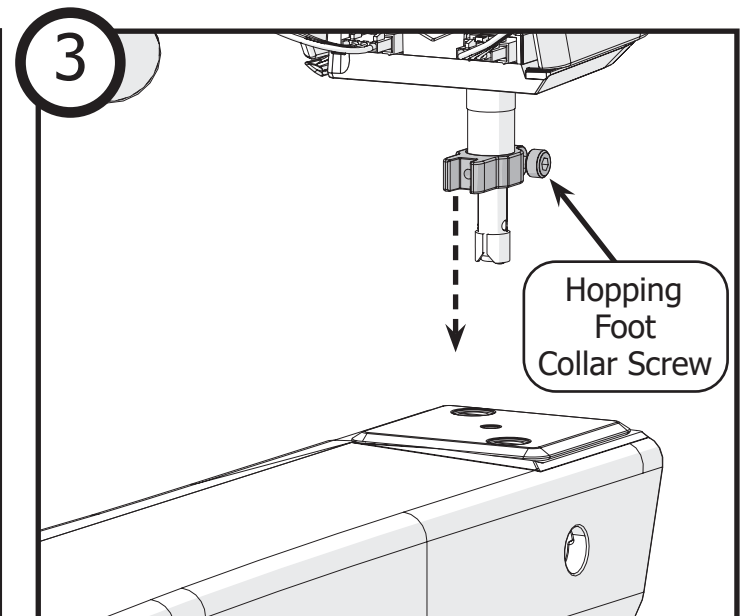
Allen Wrench 3 mm (not included)



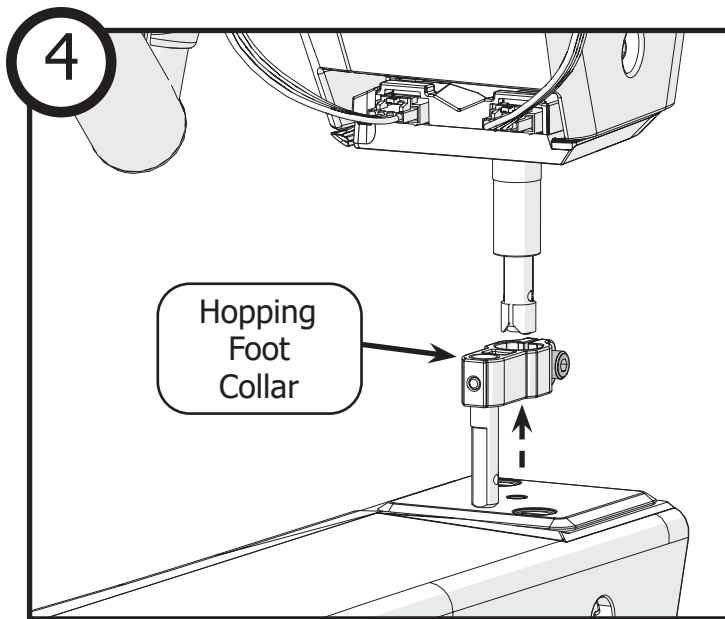
Use a 3 mm Allen wrench to remove the **screw** attaching the hopping foot to the **hopping foot collar** on your machine.



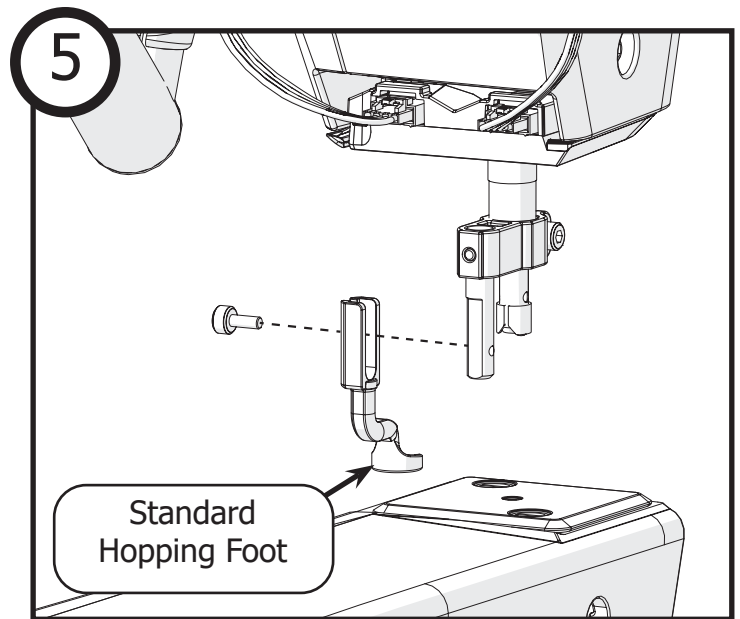
Remove the **needle thumb screw** and pull the needle from the machine.



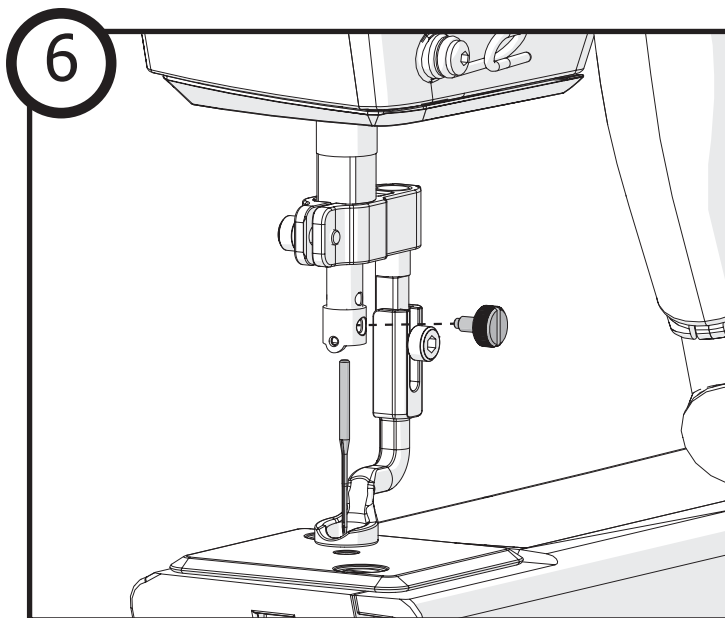
Loosen the **collar screw** with a 3 mm Allen wrench just enough that hopping foot collar can be pulled down off the machine.



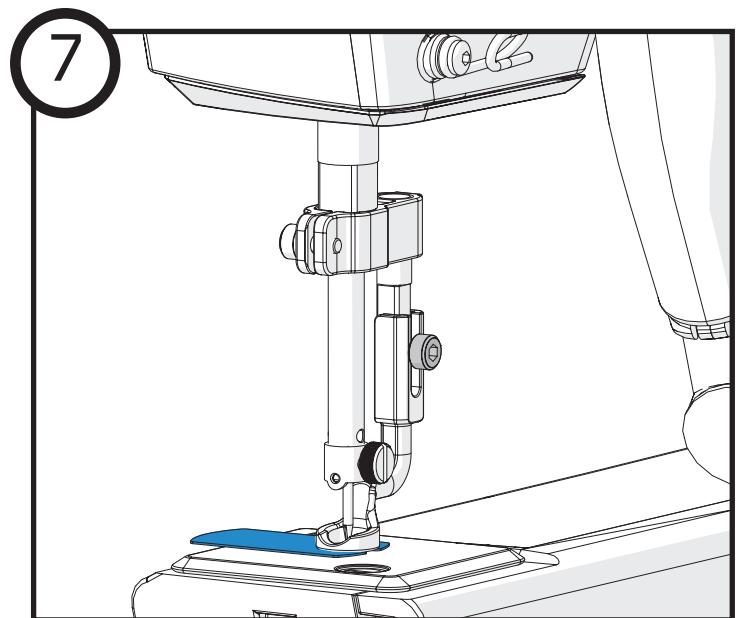
Slide the **hopping foot collar** that came with this kit onto the press bar. Hold in place with the hopping foot collar screw.



Place the upgraded **standard hopping foot** onto the hopping foot collar bar. Attach with a hopping foot screw loosely enough that the hopping foot can slide up and down.



Reinstall your machine's needle and needle thumb screw.

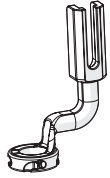


Set hopping foot height: move the machine off of the fabric and drop the needle to the lowest position. Slide the the **hopping foot height tool** beneath the foot. Tighten the hopping foot screw with the 3 mm Allen wrench.

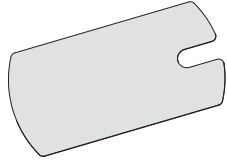
# Installing the Accessory Foot

## Required Parts & Tools:

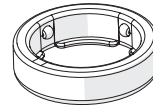
Allen Wrench 3 mm (not included)



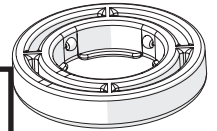
Accessory Presser Foot



Hopping Foot Height Gauge

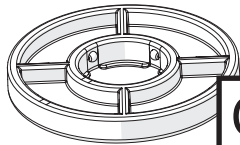


3/4" Round Echo Foot

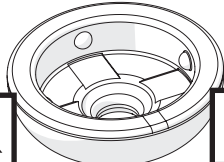


1" Round Echo Foot

OR

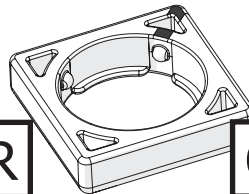


1 1/2" Round Echo Foot



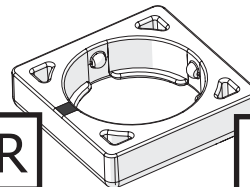
Glide Foot

OR



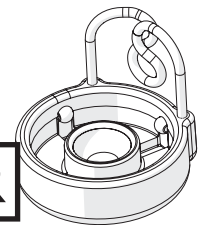
Square Ruler Foot

OR



Diamond Ruler Foot

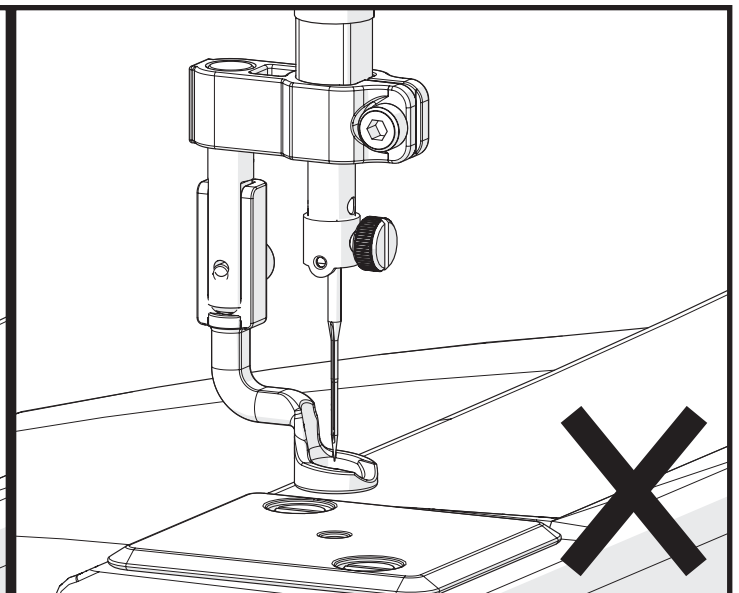
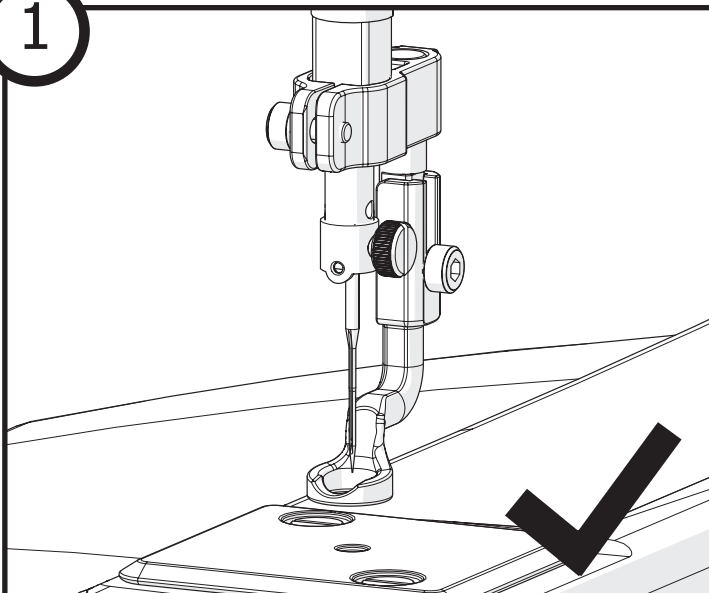
OR



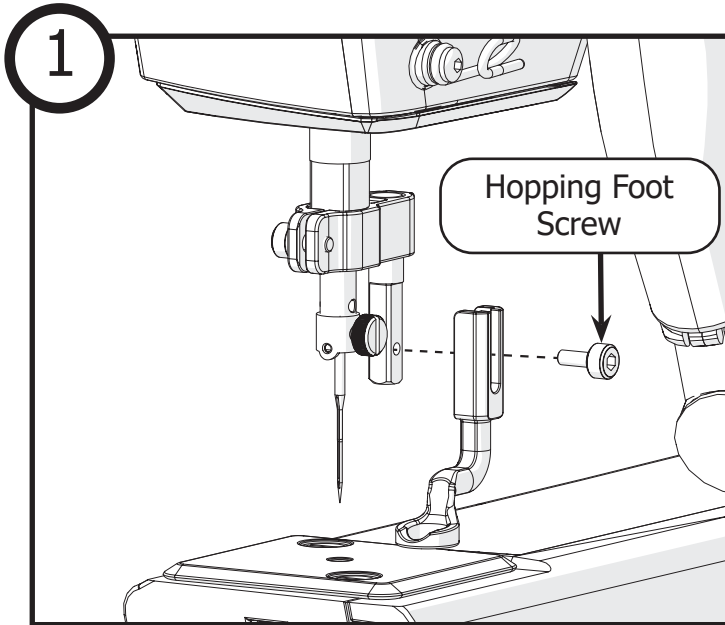
OR

Couching Foot (any size)

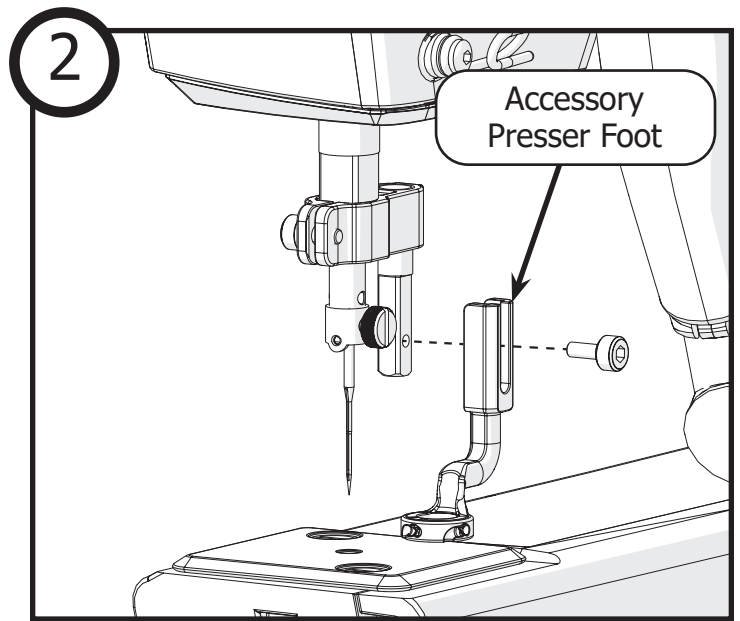
1



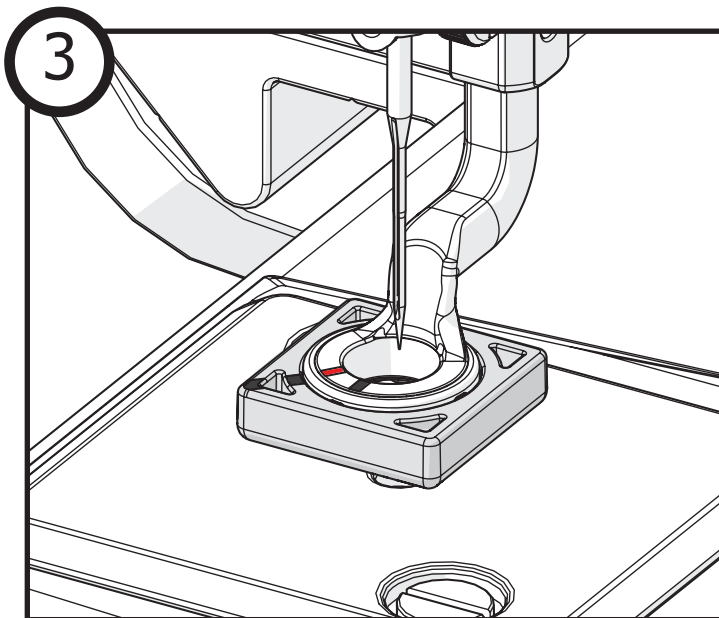
Check the position of your hopping foot. The couching foot attachment can only be used if the hopping foot is set directly behind the needle. See your machine manual for instructions on changing the hopping foot orientation.



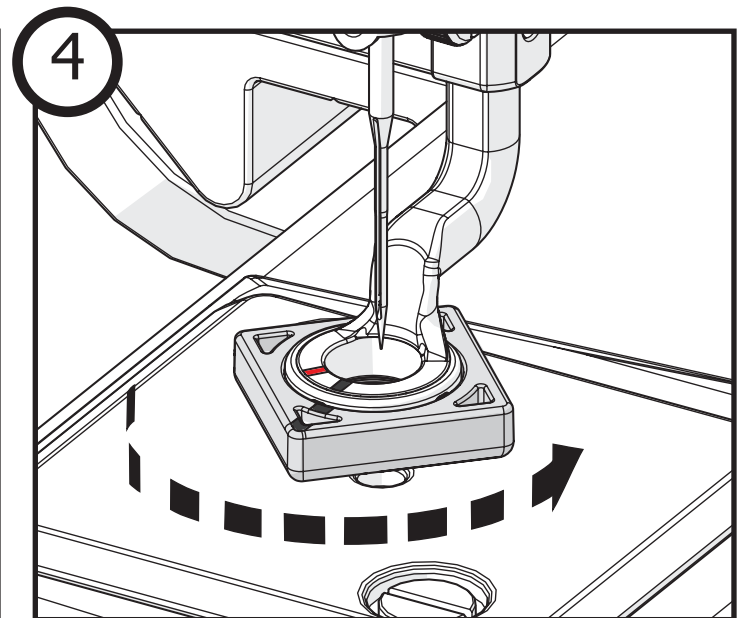
With a 3 mm Allen wrench, remove the **screw** attaching the standard **hopping foot** to your machine.



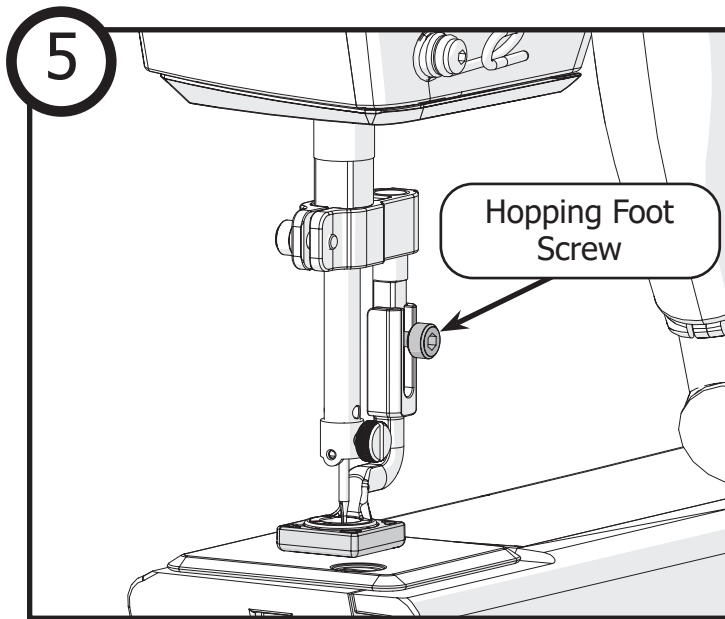
Attach the **accessory presser foot** to the collar bar with a hopping foot screw. Leave extra room under the bottom of the hopping foot for the attachments.



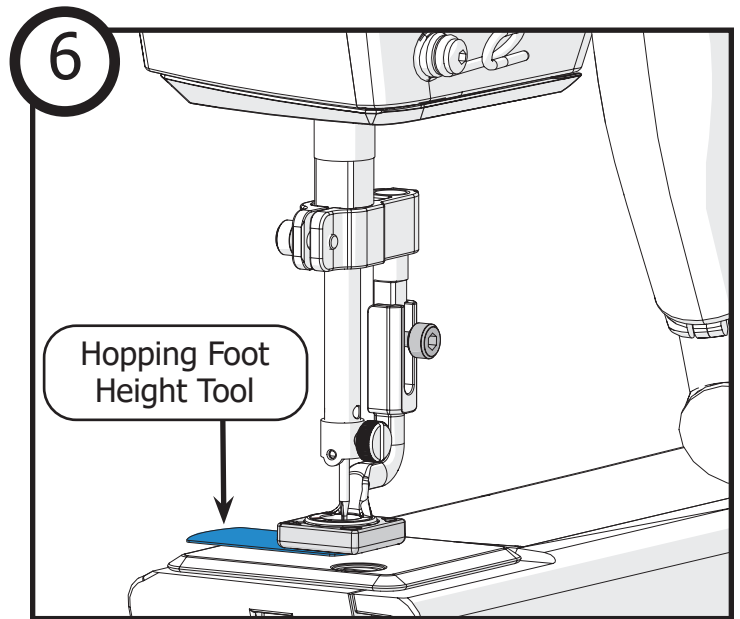
Align the black mark on the accessory presser foot with the red mark on the attachment, and press the attachment up onto the foot.



Twist the foot until the black mark aligns with the black mark and it is locked into place.



Loosen the **hopping foot screw** holding the accessory presser foot to the collar rod with a 3 mm Allen wrench. Use the hand wheel to drop the needle to the lowest position.

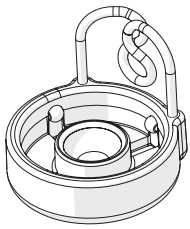


Set hopping foot height: move the machine off of the fabric and drop the needle to the lowest position. Slide the the **hopping foot height tool** beneath the foot. Tighten the hopping foot screw with the 3 mm Allen wrench.

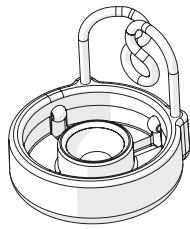


# Quilting with Yarn: Using the Couching Feet

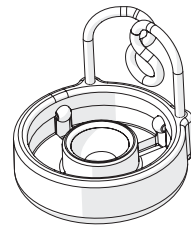
## Required Parts & Tools:



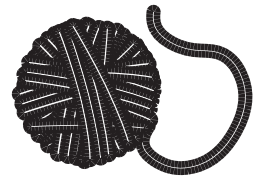
**Small  
Couching Foot**



**Medium  
Couching Foot**



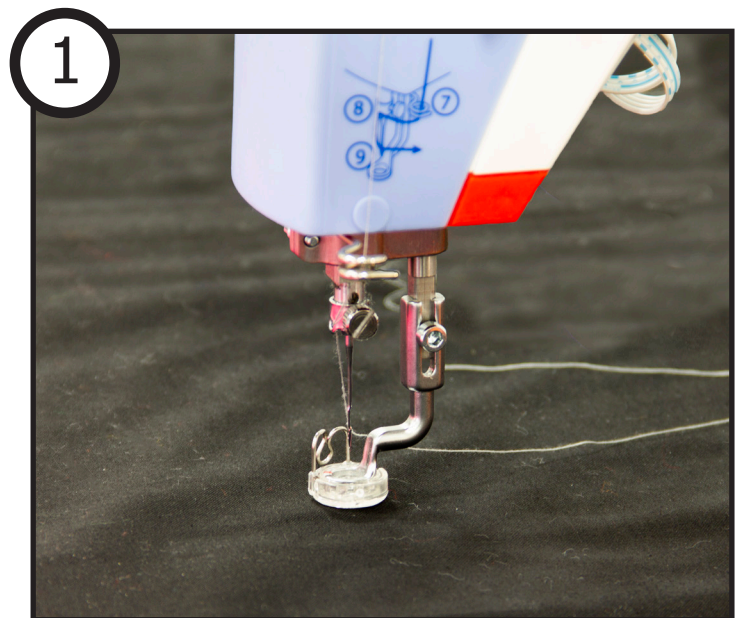
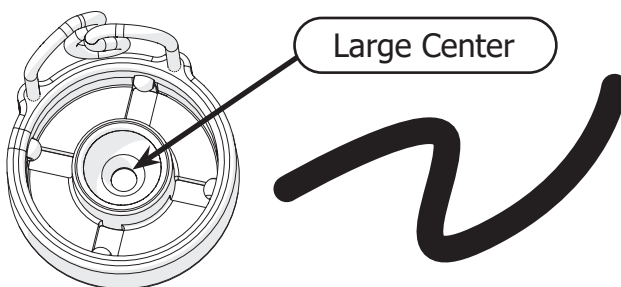
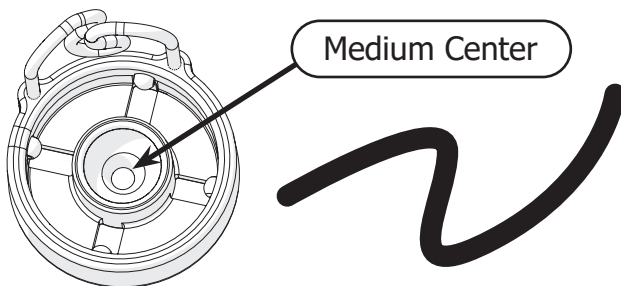
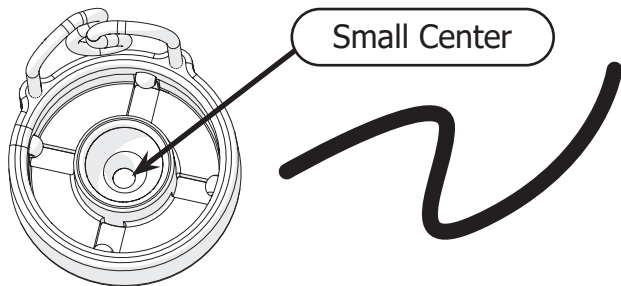
**Large  
Couching Foot**



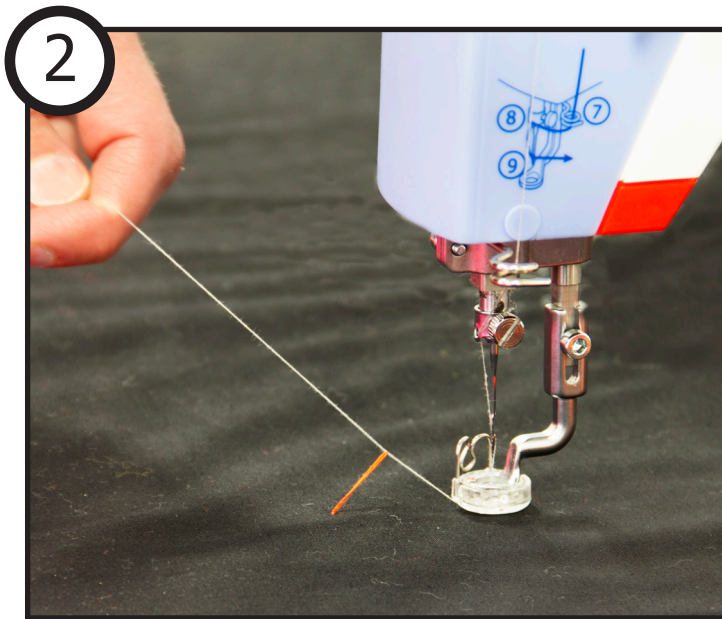
**Yarn  
(not included)**

The couching foot positions yarn and specialty thread so that it can be stitched onto the surface of the quilt. Use the correct size hopping foot for the yarn you've chosen. If the couching foot is too small, the yarn or thread will not fit through the center hole in the foot. If the couching foot is too large, the yarn or thread will shift out of position and the needle will miss it when making stitches.

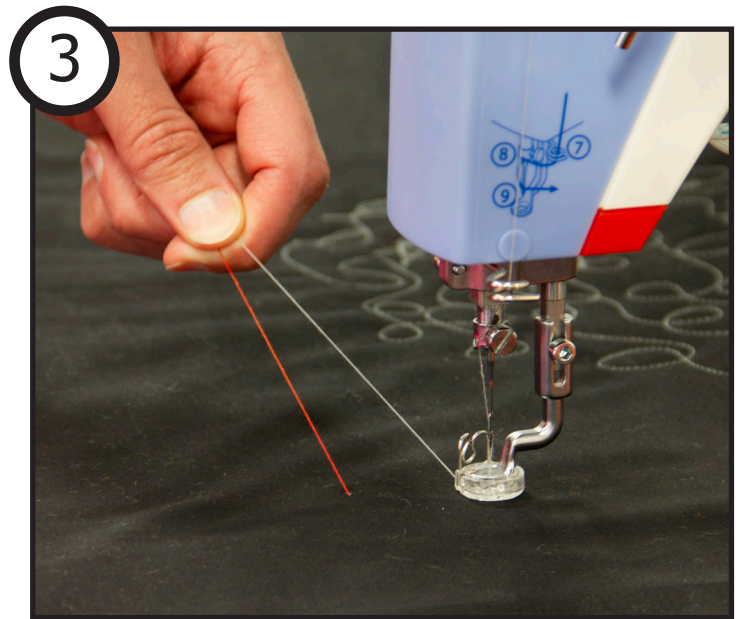
To estimate which couching foot to use, thread the end of the yarn through the center in the foot.



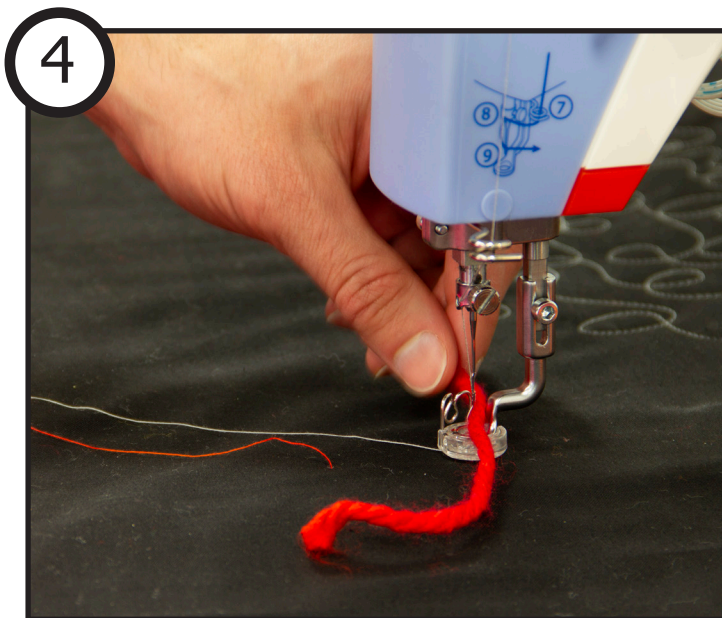
When you are ready to begin quilting with yarn or specialty thread and the couching foot has been installed, needle up and down one time.



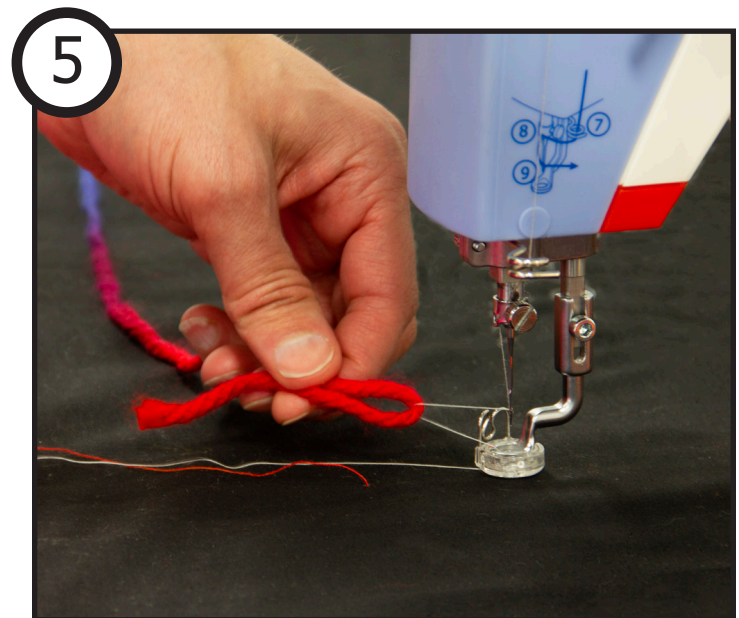
Hold the end of the top thread and move the machine to the side to pull the bottom thread (shown here in red) up to the top of the fabric. Pull up the entire tail of bottom thread.



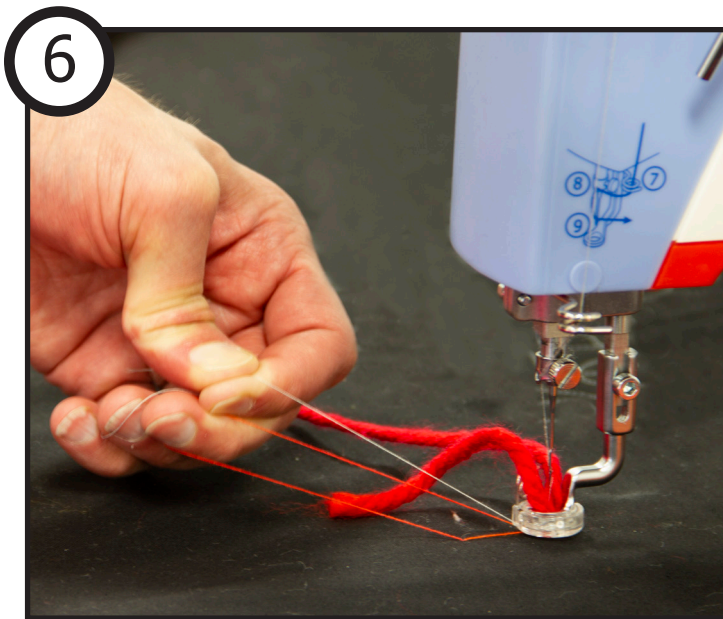
Straighten out the two tails of the top and bottom thread, and set them aside.



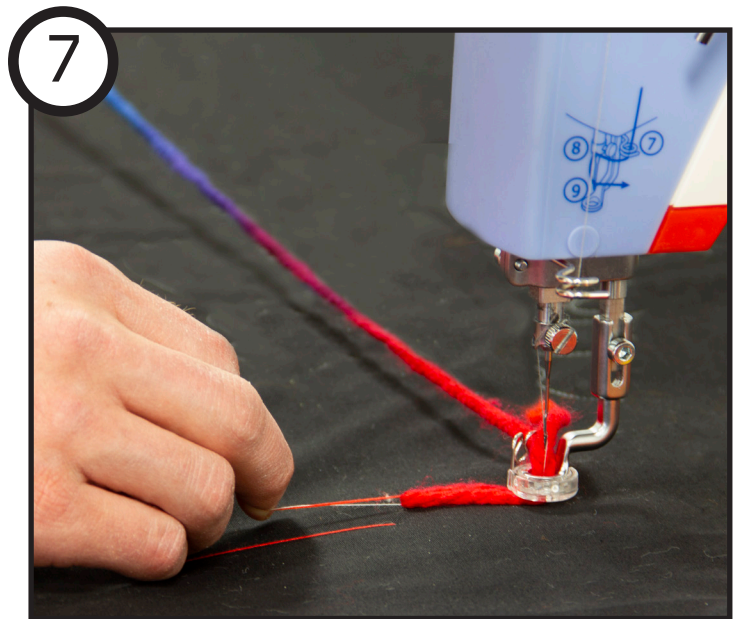
Insert the tail of the yarn or specialty thread between the needle and hopping foot, behind the thread.



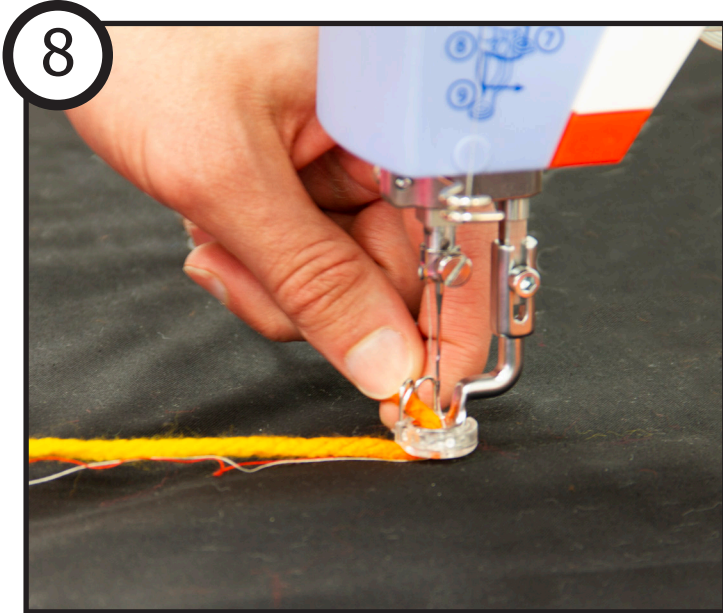
Make a loop with the yarn, and then pull it forward, under the needle so that it catches on the thread. Do a single stitch (needle down once and back up) to anchor the yarn.



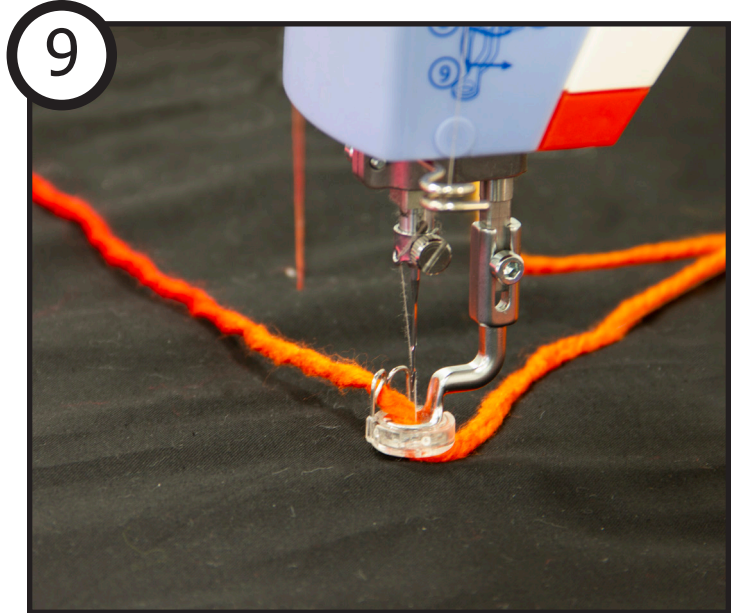
Grab the top and bottom threads and hold them tightly.



Pull the machine away from your hand until the yarn or specialty thread pops through the bottom of the hopping foot. Pull the tail of the yarn all the way through.



Lay the tails of the yarn and thread aside. Then take the side of the yarn on the hopping foot and tuck it into the wire guide on the couching foot.



Take care not to stitch in place often while working with yarn, and check your work to make sure the stitches are anchoring down the yarn.

**The Grace Company**  
**2225 South 3200 West**  
**Salt Lake City, UT 84119**  
**Phone: 1-800-264-0644**  
**Fax: 801-908-8888**  
**[www.graceframe.com](http://www.graceframe.com)**

