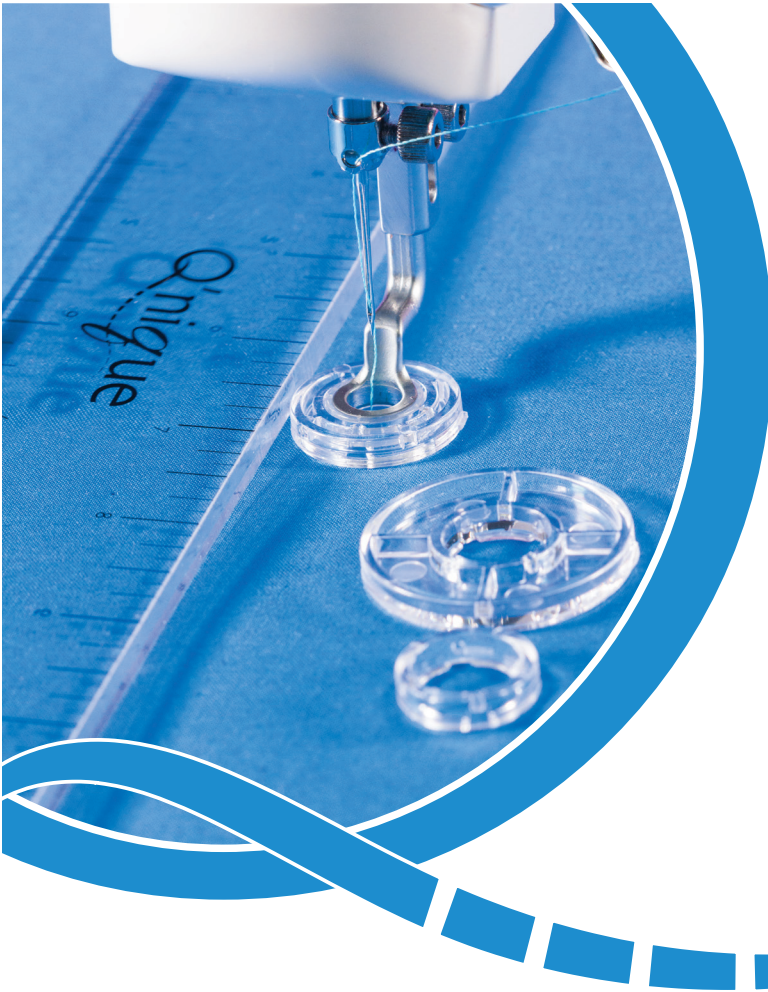


9-PIECE FOOT ATTACHMENT SET



- Glide Foot
- Couching Foot
(Small, Medium, Large)
- Square Foot
- Diamond Foot
- Round Echo Feet
(3/4 in, 1 in, 1 1/2 in)

COMPATIBLE WITH

*Q'nique*¹⁴⁺, *Q'nique*¹⁵ &
BLOCK ROCK*i*T¹⁵

Copyright January 21, 2021
Jim M. Bagley, GraceWood, Inc
(Reproduction Prohibited)
Version 1.2

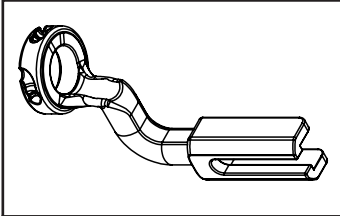
The *Grace*
Company
Fine Quilting Frames

Phone- 1-800-264-0644
www.graceframe.com

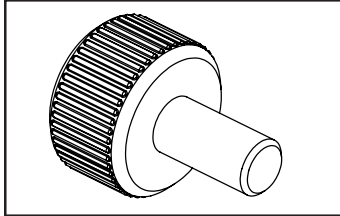
Accessory Feet

Parts List:

Tools Needed: 3mm Allen Wrench.

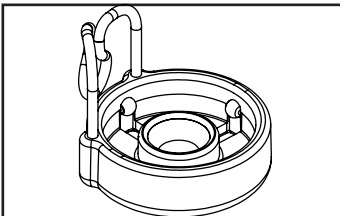


Accessory Presser Foot

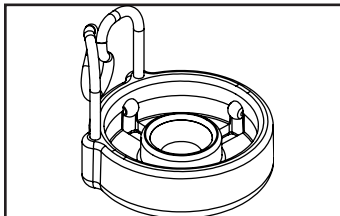


M3 x 8mm SBHCS

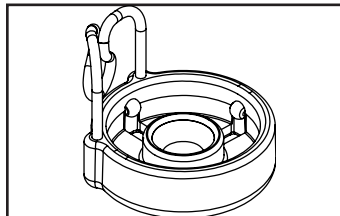
Accessory Presser Foot Is used for attaching the different types of inserts depending on what style of sewing you desire.



Couching Insert Small

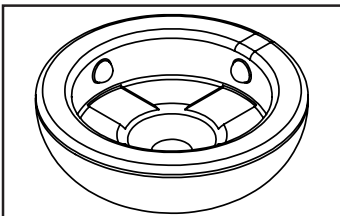


Couching Insert Medium



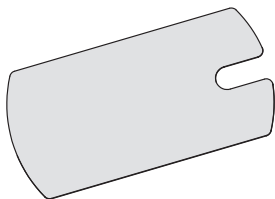
Couching Insert Large

Couching Insert Is used for adding couched embellishments to your fabric and to easily add a decorative stitch.



Glide Insert

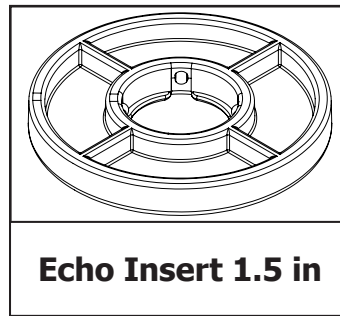
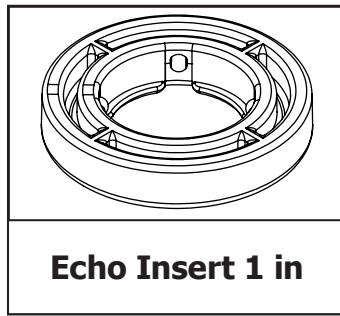
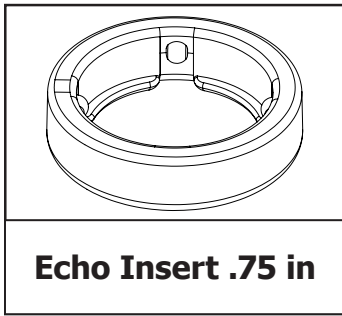
Glide Insert Is used to easily glide around applique embellishments, or other dimensional elements on a quilt.



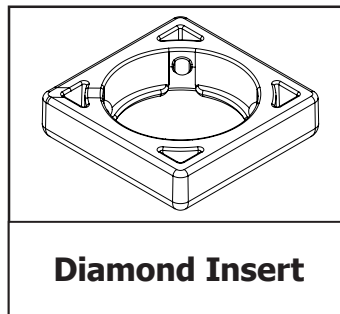
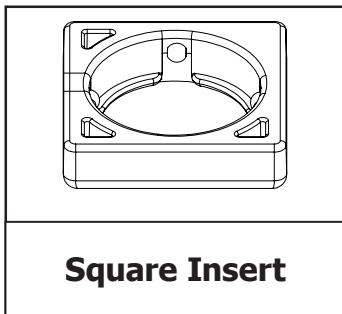
Hopping Foot Height Gauge

Parts List Continued:

Tools Needed: 3mm Allen Wrench.

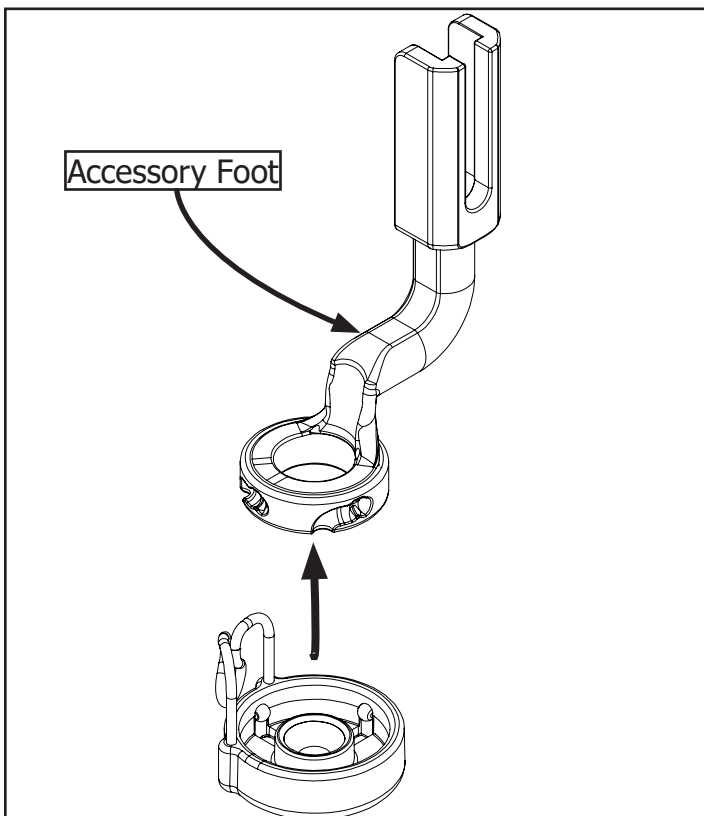


Echo Insert Is used for echo quilting around rulers for equal spacing.

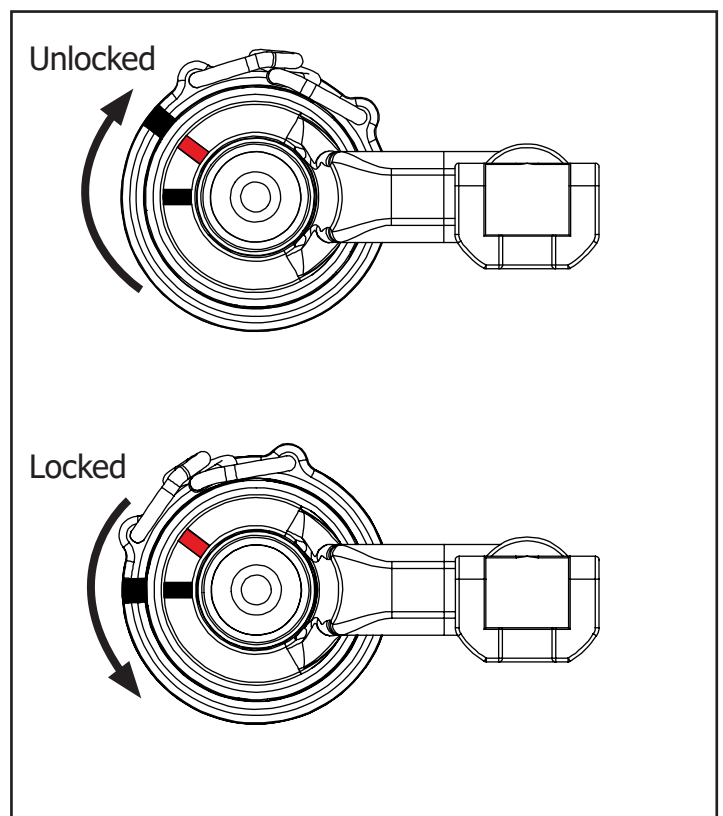


Square Insert Is used for quilting around rulers for straight and angled lines.

Attaching Accessory Feet

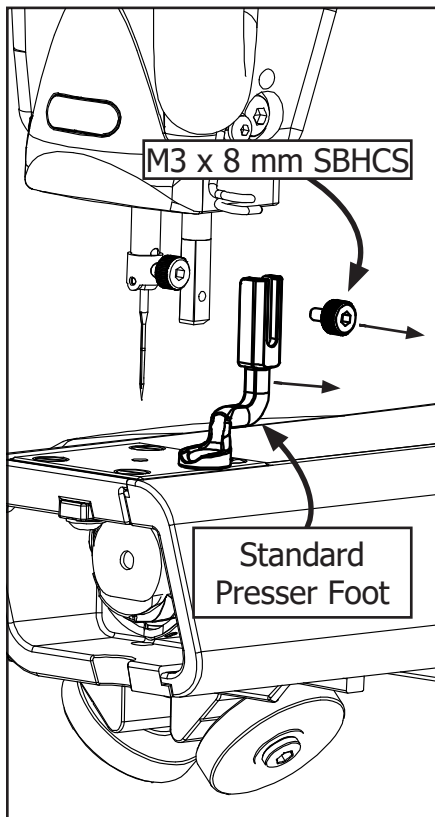


1. Attach each insert by pressing each insert on from the bottom of the Accessory Foot.

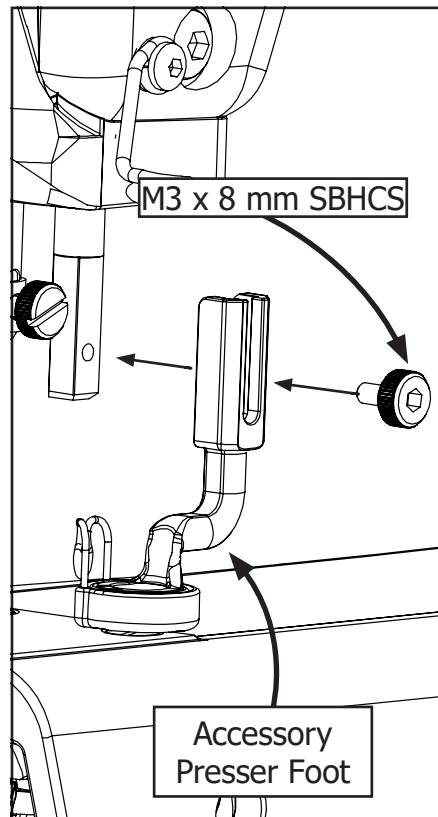


2. When the insert has been pushed in firmly twist the insert until it snaps in place.

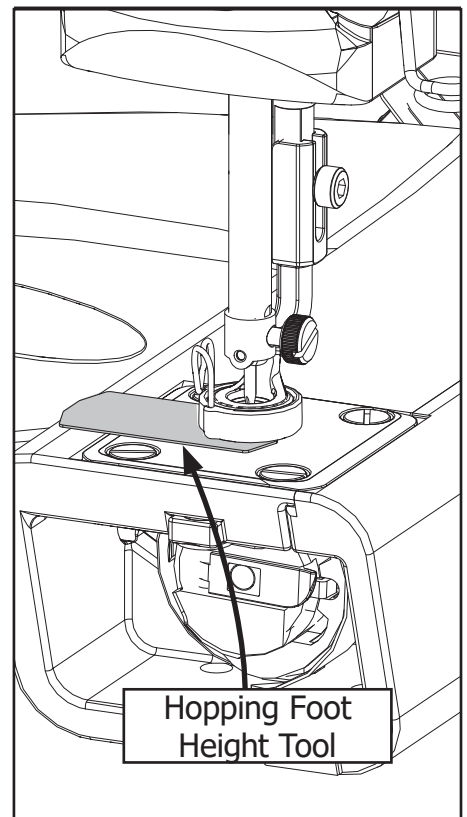
Attaching Accessory Presser Foot



1. To remove the Standard Presser Foot take the 3mm allen wrench and turn it counterclockwise and remove the M3 x 8 mm SBHCS and the presser foot.



2. Attach the Accessory Presser Foot insert on to the machine and attach loosely the M3 x 8 mm SBHCS clockwise using the 3mm allen wrench.

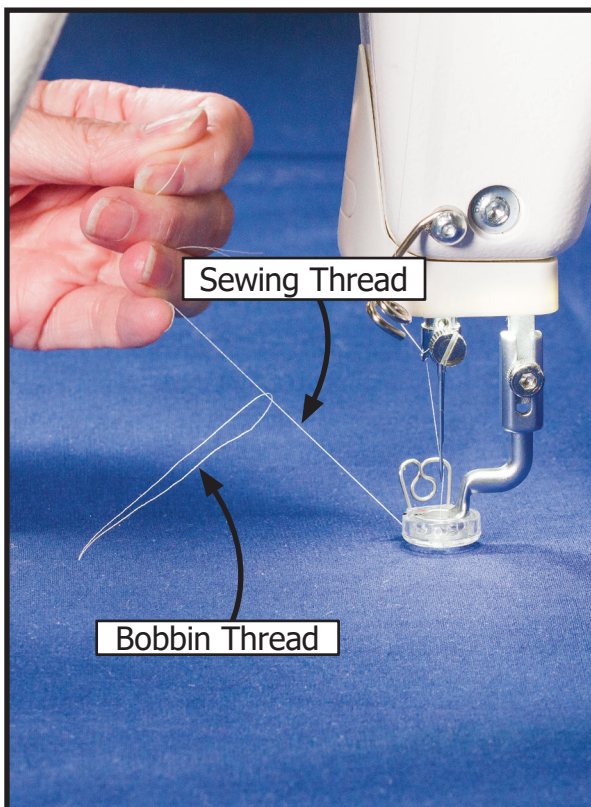


3. Set hopping foot height: move the machine off of the fabric and drop the needle to the lowest position. Slide the the Hopping Foot Height Tool beneath the foot. Tighten the M3 x 8 mm SBHCS with the 3 mm Allen wrench.

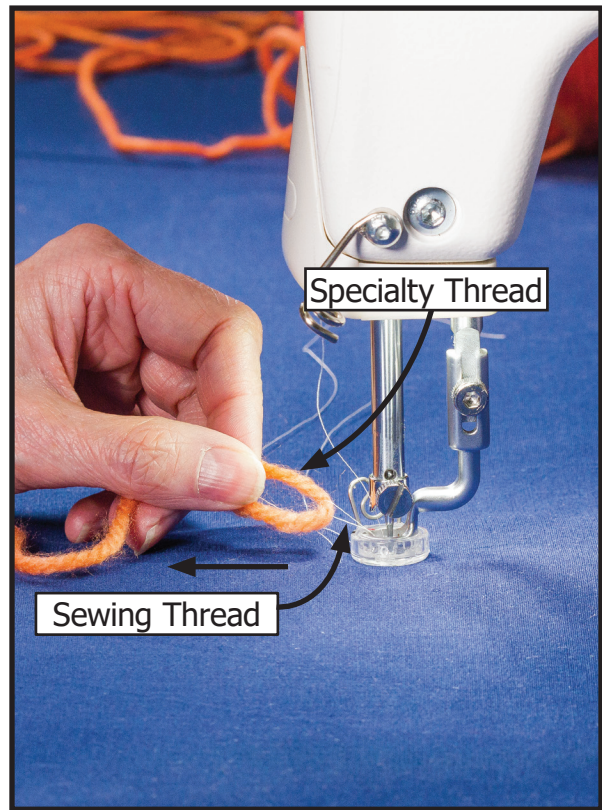
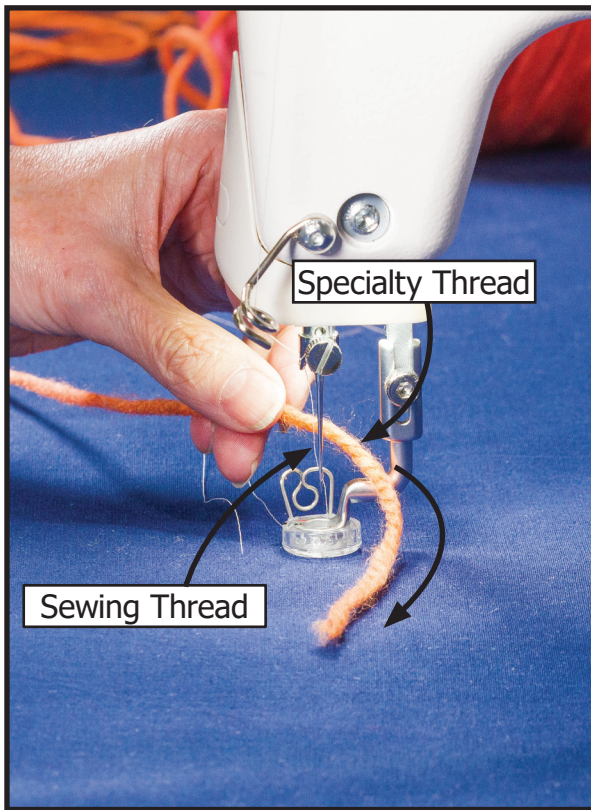
Threading Couching Foot



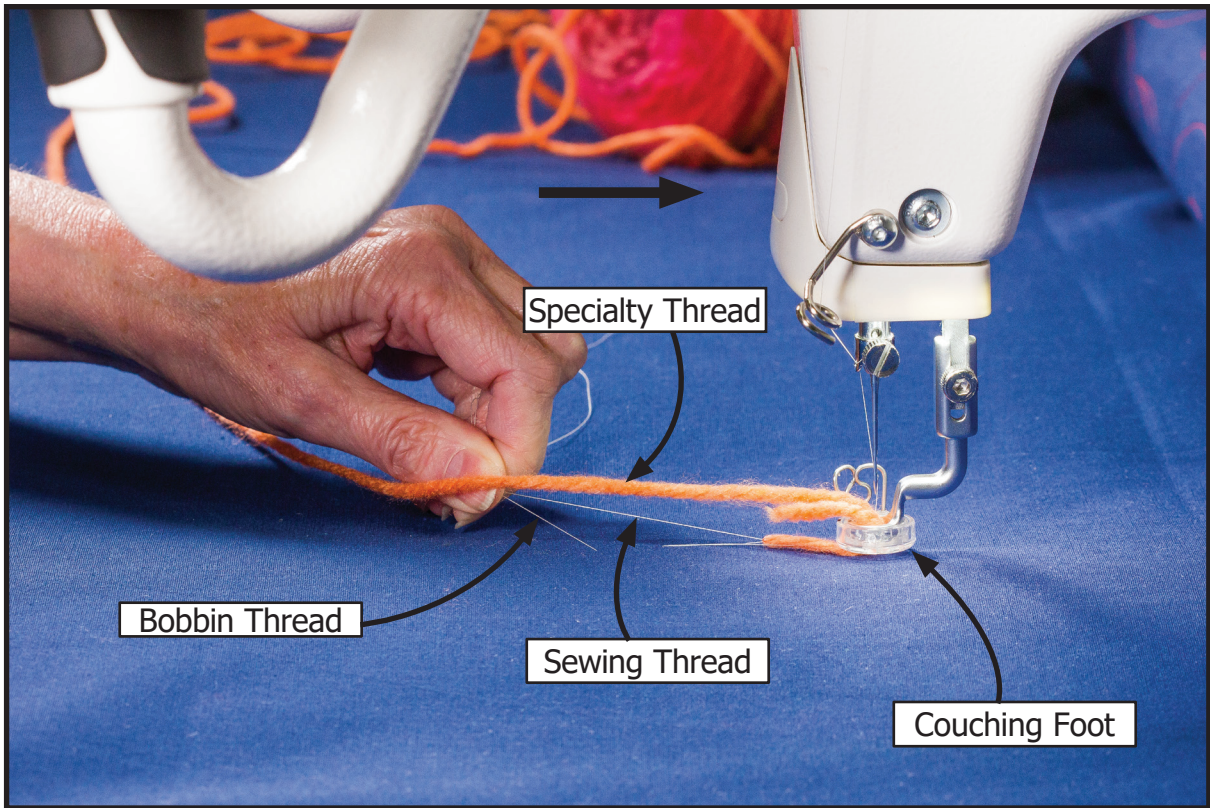
1. Start in the front of your fabric, do needle up and down so Bobbin Thread can be pulled through fabric.



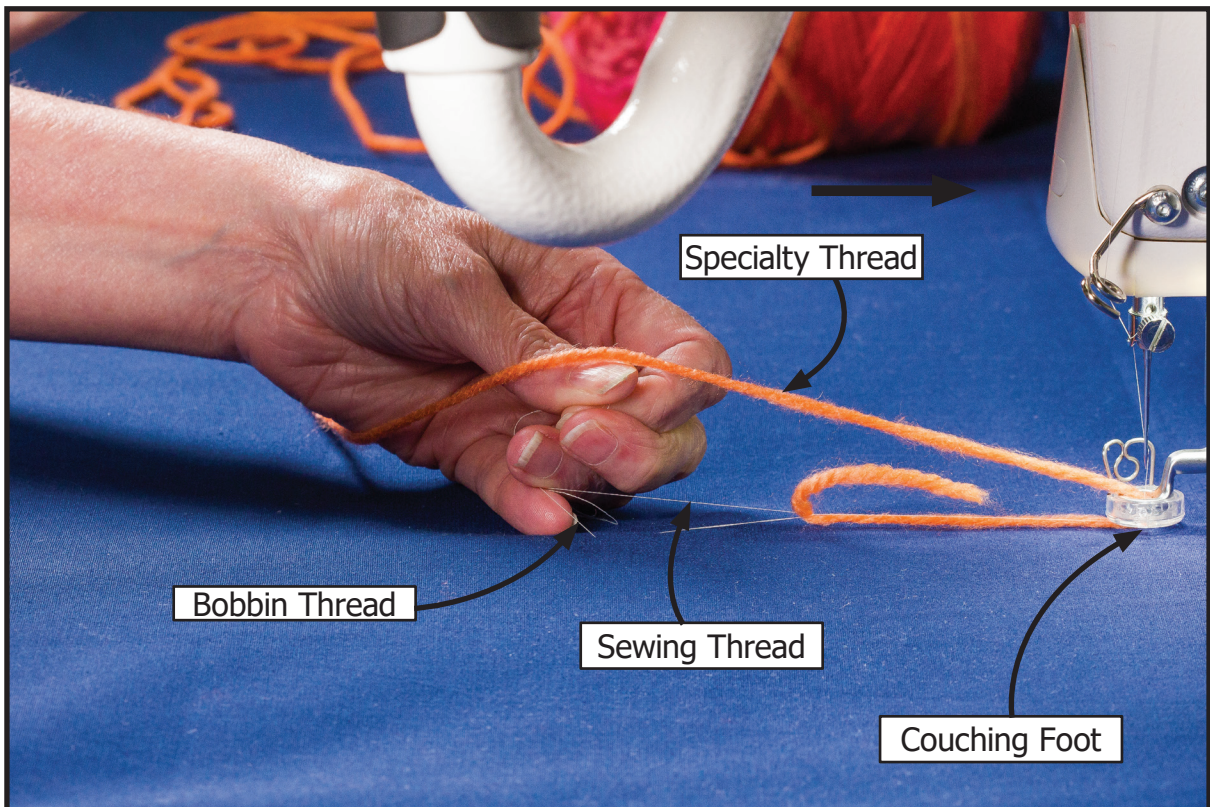
2. Hold Sewing Thread and move Sewing Machine to pull Bobbin Thread up through the fabric.



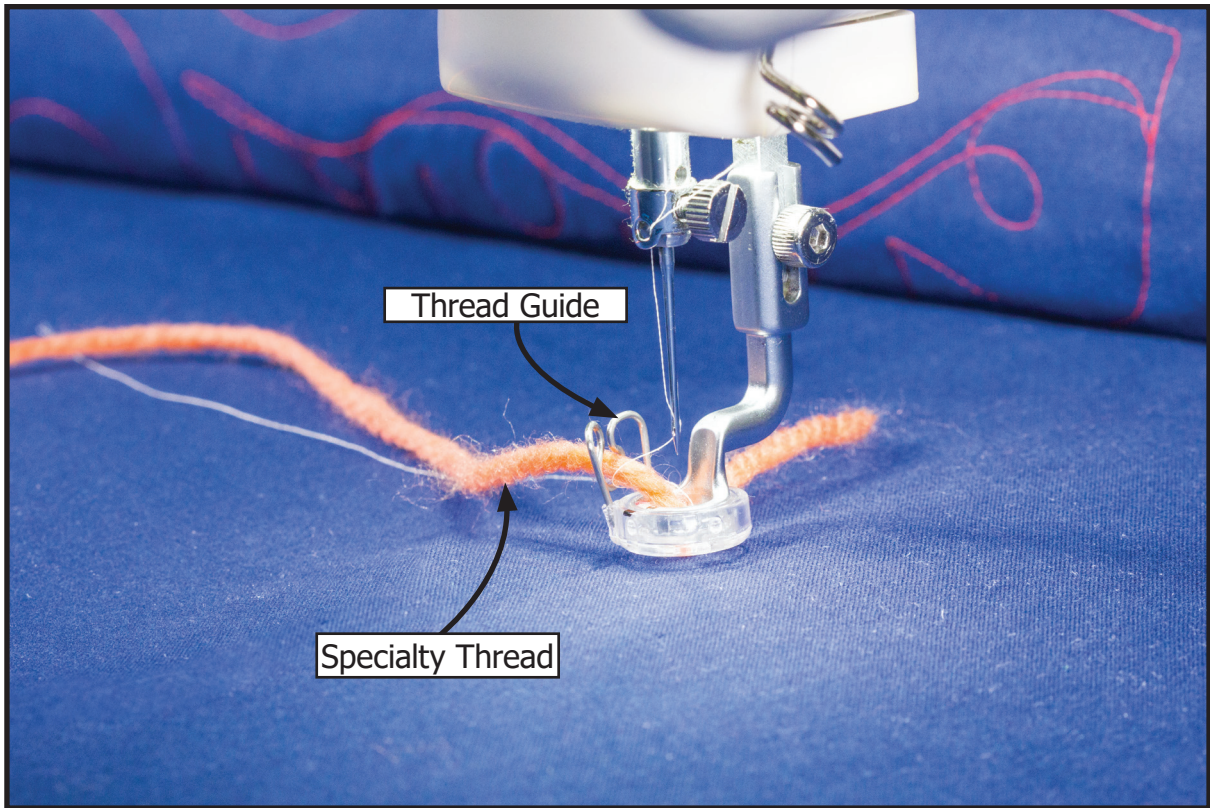
3. Loop the Specialty Thread behind the Sewing Thread so that the two strands are facing toward you. Pull Specialty Thread slightly so it is in front of the needle. Do a needle up and down to create an anchor point.



4. While holding both Sewing Thread and Bobbin Thread, move the Sewing Machine away from you to pull the Specialty Thread through the Couching Foot.



Note: If it is too hard to pull the Specialty Thread through the Couching Foot try using a bigger size Couching Foot. If Specialty Thread isn't catching stitches in corner use a smaller Couching Foot.



5. Thread the longer Specialty Thread strand in the Thread Guide.
Note: Leave slack in the Specialty Thread for best quality stitching.