

surestitch

Elite

Assembly Instructions

Contents

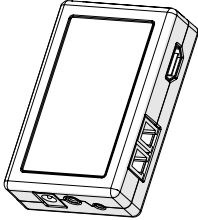
Included Parts & Tools	4
Start Here: Choose Your Carriage	8
Cutie Carriage & Top Plate	10
Cutie Breeze Carriage & Top Plate	22
Continuum Carriage & G-Series Top Plate	37
Continuum Carriage & G-Series 2 Top Plate	49
G-Series Carriage & G-Series Top Plate	61
G-Series Carriage & G-Series 2 Top Plate.....	74
Pro Carriage & Pro Top Plate	87
Managing the Cables	100

Assembly - SureStitch Elite

Included Parts & Tools

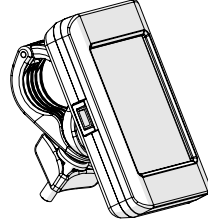
The following parts are included in your kit.

SureStitch Elite Control Box



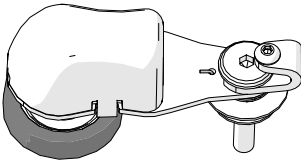
SSE-09-20020

SureStitch Elite Screen



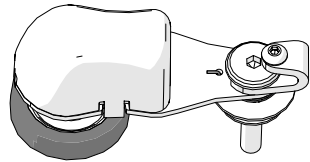
SSE-09-15757

Upper Encoder V5 (purple sticker)



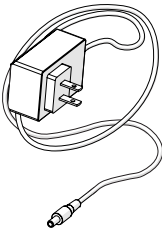
SSE-09-20026

Lower Encoder V5 (green sticker)



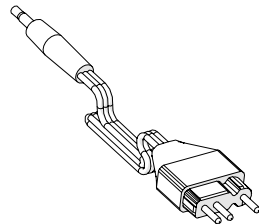
SMP-09-15700

Power Adapter



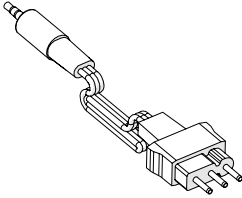
SSE-02-11395

Foot Pedal "A" Cable



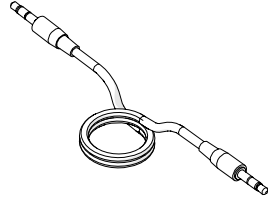
SSE-02-14994

**Foot Pedal "B"
Cable**



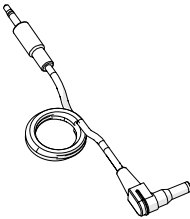
SSE-02-14995

**Foot Pedal "C"
Cable**



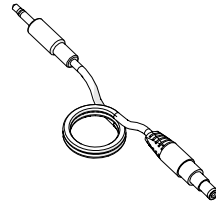
SSE-02-14989

**Foot Pedal "D"
Cable**



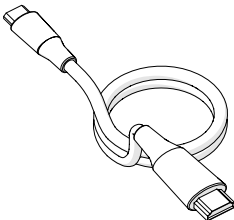
SSE-02-14990

**Foot Pedal "E"
Cable**



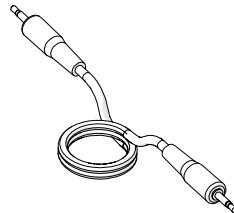
SSE-02-14991

**Screen
Cable**



SSE-02-14992

**Thread Cutter
Cable**



SSE-02-14988

**Allen Wrench
2.5 mm**



HDW-03-10165

**Allen Wrench
4 mm**



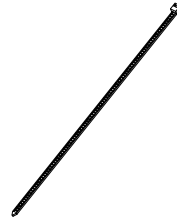
HDW-03-10167

**Allen Wrench
5 mm**



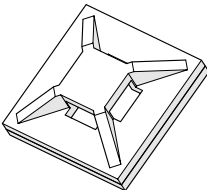
HDW-03-10741

**Zip
Ties (x4)**



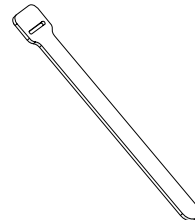
MIS-08-10804

**Zip Tie
Mounts (x2)**



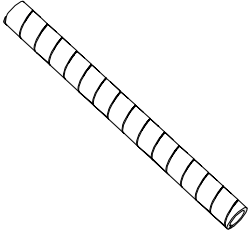
MIS-08-10805

**Velcro Straps
(pack of 4)**



SSE-08-15000

**Plastic Cable Wire
Wrap**

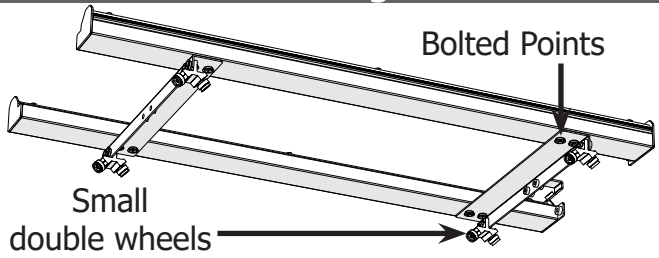


MIS-08-10806

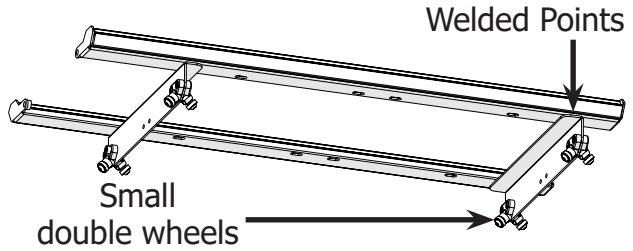
Assembly - SureStitch Elite

Start Here: Choose Your Carriage...

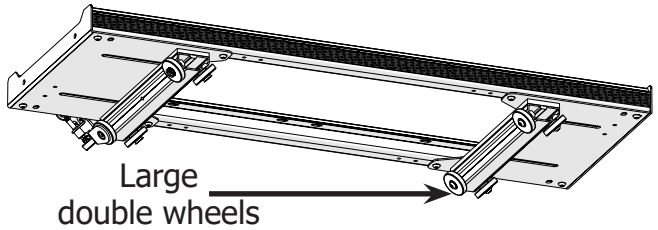
Cutie



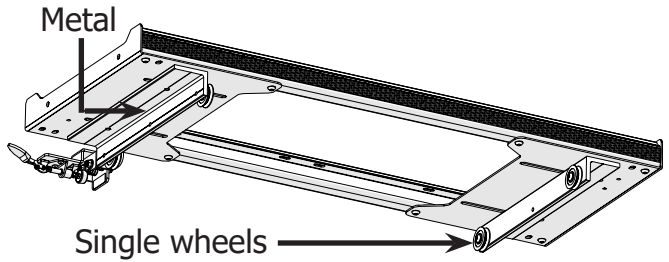
Cutie Breeze



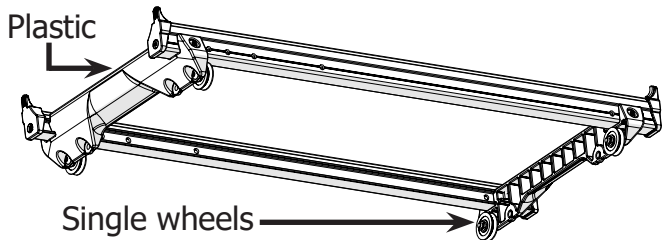
Continuum



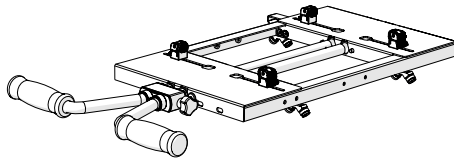
G-Series



Pro

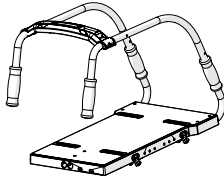


...And Select Your Top Plate



Cutie

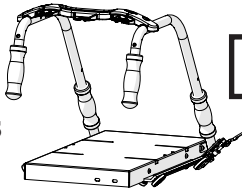
Go to page 10



Cutie Breeze

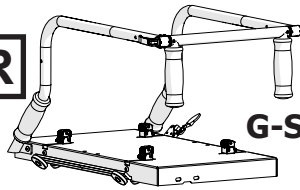
Go to page 22

G-Series



Go to page 37

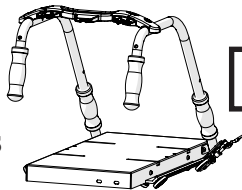
OR



G-Series 2

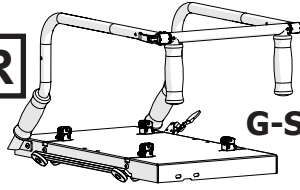
Go to page 49

G-Series



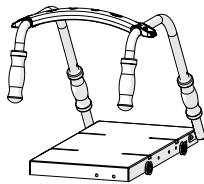
Go to page 61

OR



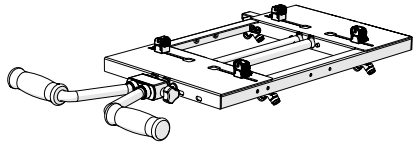
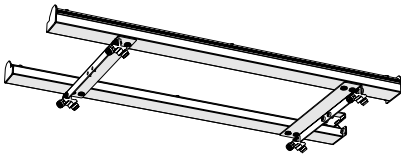
G-Series 2

Go to page 74



Pro

Go to page 87

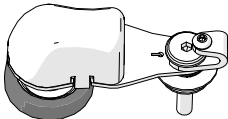


Step One - Installing the Lower Encoder

The lower encoder tracks the movement of the bottom carriage across the frame. This helps SureStitch determine when to move the needle to complete each stitch.

Parts & Tools:

Lower Encoder V5
(green sticker)



Allen Wrench
2.5 mm

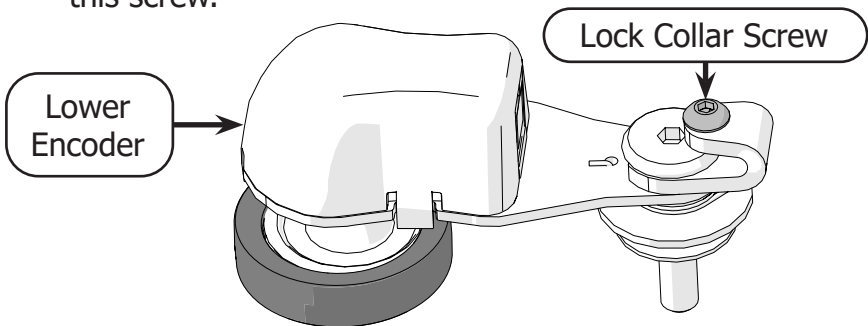


Allen Wrench
4 mm



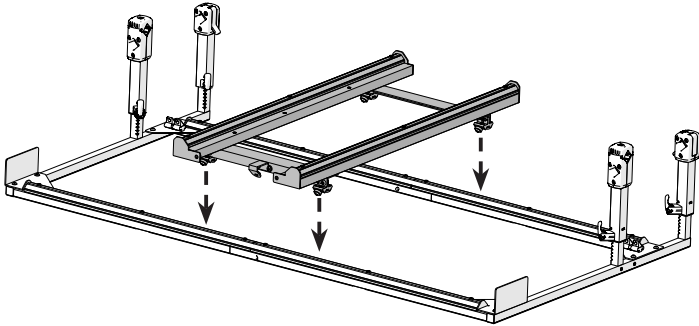
Instructions:

- 1 Use the 2.5 mm Allen wrench to carefully loosen the **lock collar screw** on the **lower encoder**. Do not remove this screw.

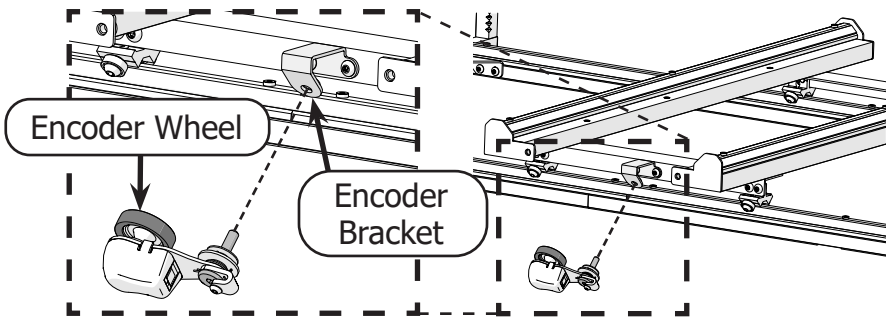


Cutie Carriage & Top Plate (Continued)

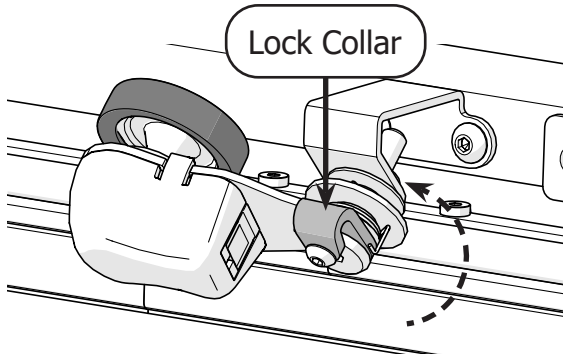
- 2 Install the bottom carriage onto the frame if it is not already installed.



- 3 With the 4 mm Allen wrench, screw the lower encoder into the **encoder bracket** so the dark **encoder wheel** is to the left of the bracket.



- 4 Turn the **lock collar** to point up (12 o'clock) and tighten the lock collar screw with the 2.5 mm Allen wrench.

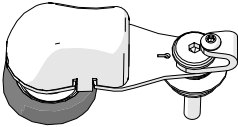


Step Two - Installing the Upper Encoder

The upper encoder tracks the machine movement across the bottom carriage.

Parts & Tools:

Upper Encoder V5
(purple sticker)



Allen Wrench
2.5 mm

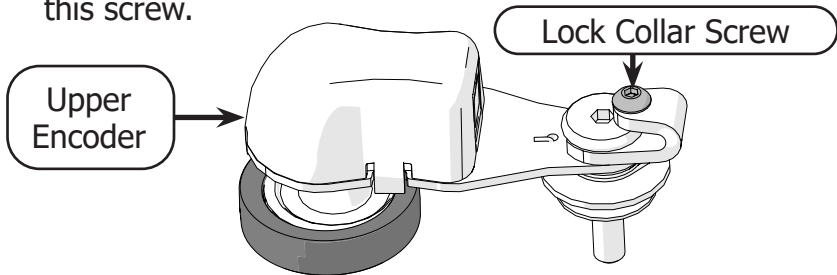


Allen Wrench
4 mm

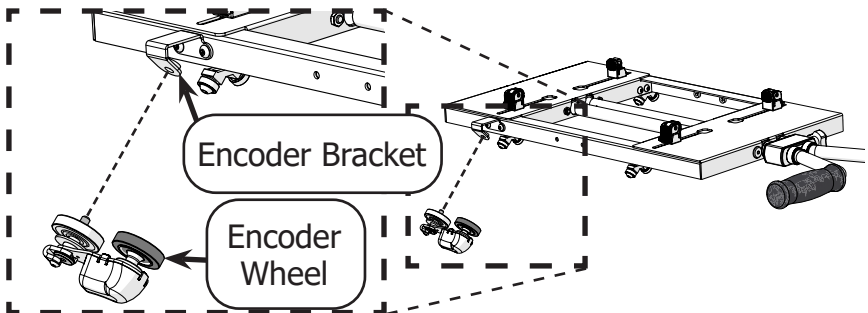


Instructions:

- 1 Use the 2.5 mm Allen wrench to carefully loosen the **lock collar screw** on the **upper encoder**. Do not remove this screw.

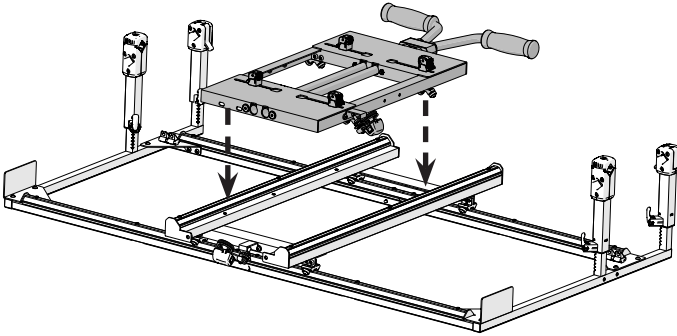


- 2 With the 4 mm Allen wrench, screw the upper encoder to the **encoder bracket** on the top plate so the dark **encoder wheel** is toward the front of the carriage.

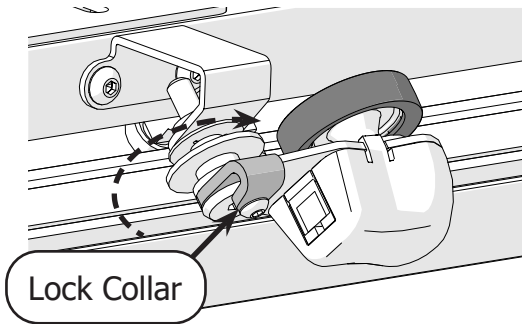


Cutie Carriage & Top Plate (Continued)

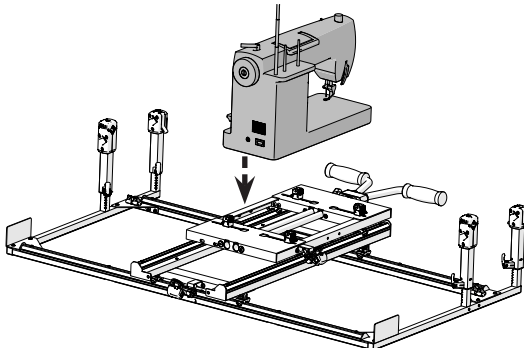
- 3 Place the top plate on the bottom carriage if this is not already done.



- 4 Turn the **lock collar** to point up (12 o'clock) and tighten the lock collar screw with the 2.5 mm Allen wrench.



- 5 Follow the instructions in your frame's manual to install your sewing machine onto the top plate.



Assembly - SureStitch Elite

Cutie Carriage & Top Plate (Continued)

Step Three - Install the Screen & Control Box

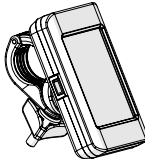
When you select a stitch length or motor speed on the screen, it is sent to the control box.

Parts & Tools

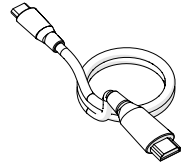
SureStitch Elite
Control Box



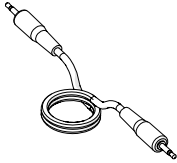
SureStitch Elite
Screen



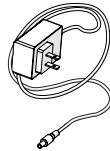
Screen
Cable



Thread Cutter
Cable



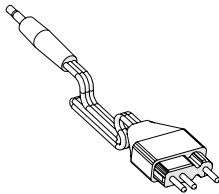
Power
Adapter



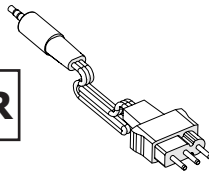
Allen Wrench
2.5 mm



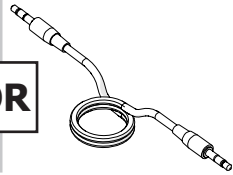
Foot Pedal "A"
Cable



Foot Pedal "B"
Cable



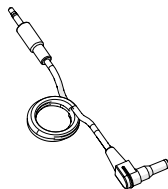
Foot Pedal "C"
Cable



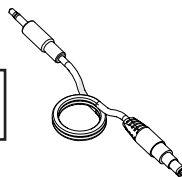
OR

OR

Foot Pedal "D"
Cable



Foot Pedal "E"
Cable

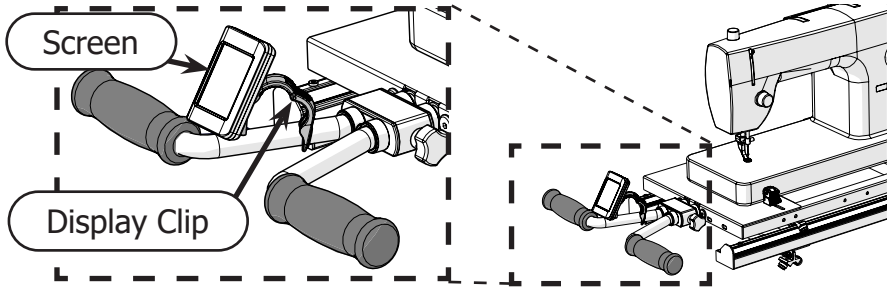


OR

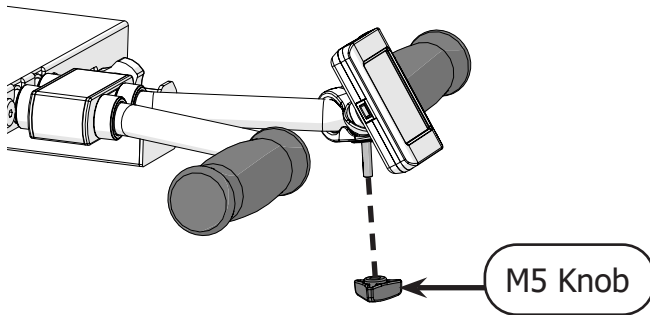
Cutie Carriage & Top Plate (Continued)

Instructions:

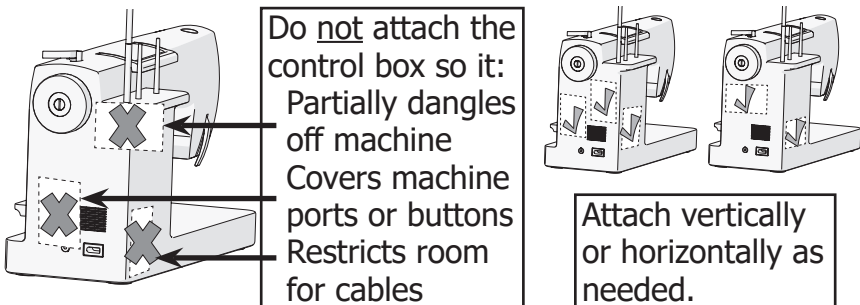
- 1 Open the **display clip** and place the **screen** onto the top plate handles.



- 2 Close the clip around the handlebar. Tighten it in place by screwing on the **M5 knob**.



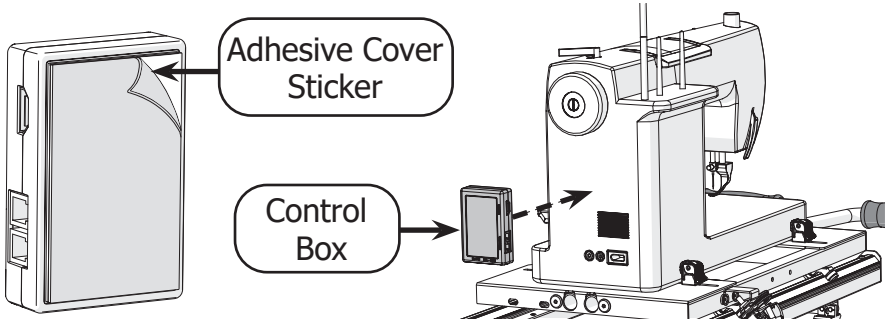
- 3 Test out where to attach the control box to your machine. Ensure there is enough space around each port for cables to be plugged in.



Assembly - SureStitch Elite

Cutie Carriage & Top Plate (Continued)

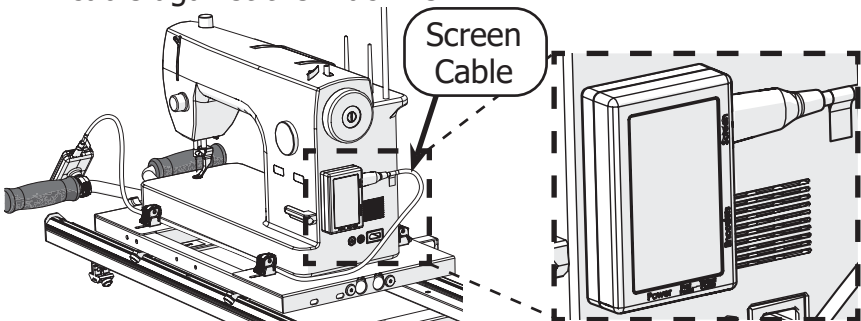
- 4 When you know where to attach the **control box**, remove the **sticker** covering the adhesive side of the velcro. Firmly press the control box onto the machine.



- 5 For your safety, power off and unplug your sewing machine.

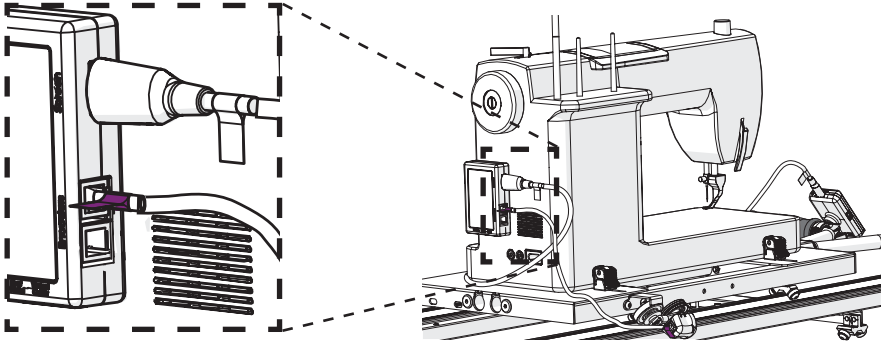


- 6 Plug the **screen cable** into the display and control box. **Tip:** Use the machine clamps on the top plate to pin the cable against the machine.

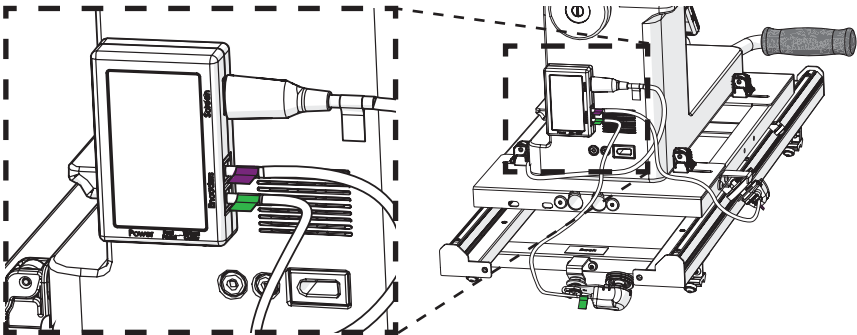


Cutie Carriage & Top Plate (Continued)

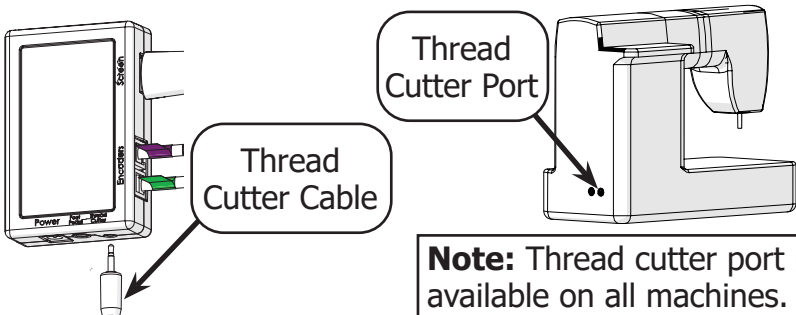
- 7 Plug the encoder with the purple sticker into the purple encoder port.



- 8 Plug the encoder with the green sticker into the green encoder port.



- 9 If your sewing machine has a port for its **thread cutter**, plug SureStitch into this as well with the **thread cutter cable**.

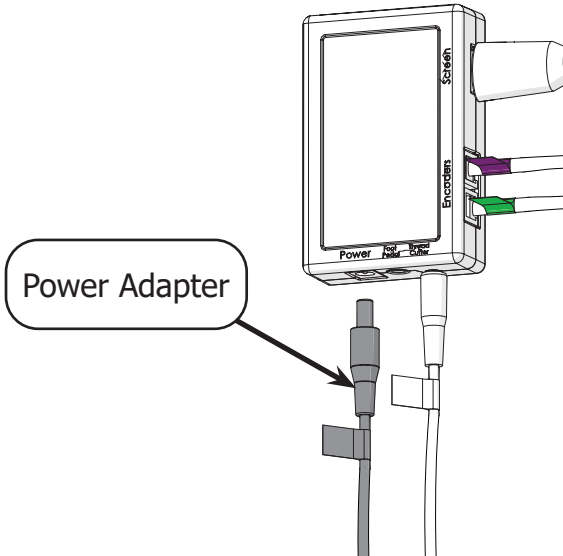


Assembly - SureStitch Elite

Cutie Carriage & Top Plate (Continued)

- 10 Plug SureStitch into a power outlet with the **power adapter**. SureStitch turns on automatically.

Do not power on your sewing machine at this time.



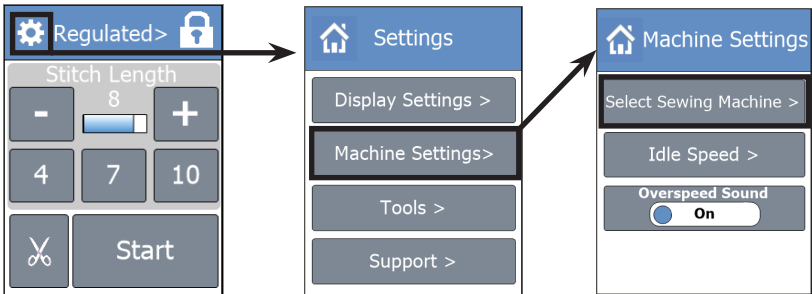
Cutie Carriage & Top Plate (Continued)

Step Four - Calibrating SureStitch for Your Machine

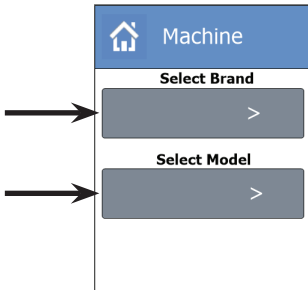
Take the steps below to set up SureStitch to work with your brand and model of sewing machine. Damage to sewing machine might occur if your machine is connected to SureStitch via the foot pedal port on the control box before SureStitch has been set up to work with your machine.

Warning: Do not plug the machine into the foot pedal port on the control box yet.

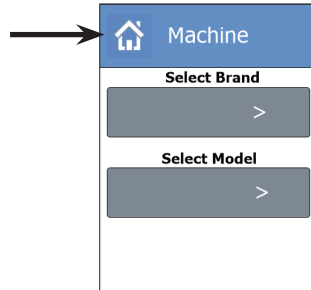
- 1 On the SureStitch screen, press the **Settings** icon and choose **Machine Settings**. The **Machine Settings** menu opens. Press **Select Sewing Machine**.



- 2 Choose the **brand** of your machine and then select the **model**.



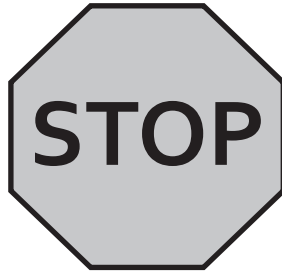
- 3 Press the **Home icon** at the top to close the menu.



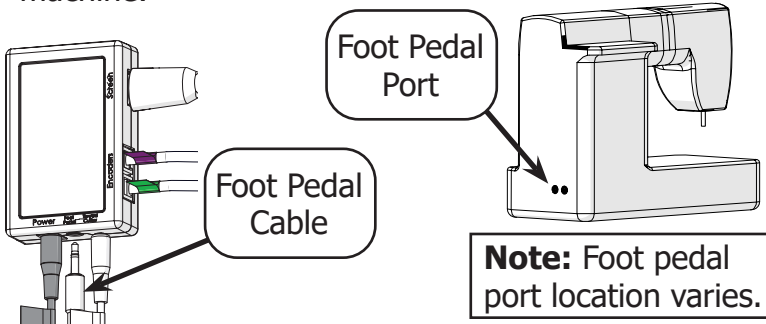
Assembly - SureStitch Elite

Cutie Carriage & Top Plate (Continued)

- 4 Unplug SureStitch from the power source. Neither SureStitch or your sewing machine should be plugged into a power outlet at this time.



- 5 Plug SureStitch into your **sewing machine's foot pedal port** using the **foot pedal cable** that matches your machine.

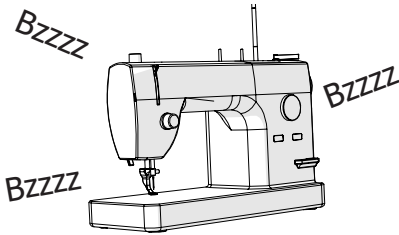


- 6 Now that SureStitch is plugged into the machine, plug both your sewing machine and SureStitch into a power outlet.

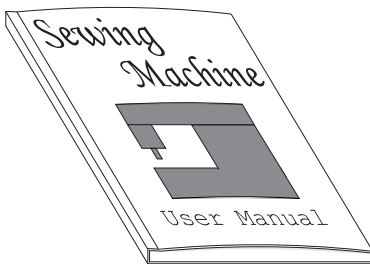
Note: Both the control box and your sewing machine need to be plugged in and powered on for SureStitch to work. Some machines appear to power on when only SureStitch is plugged into a power source, but this does not provide sufficient power. The machine must still be plugged in separately.

Cutie Carriage & Top Plate (Continued)

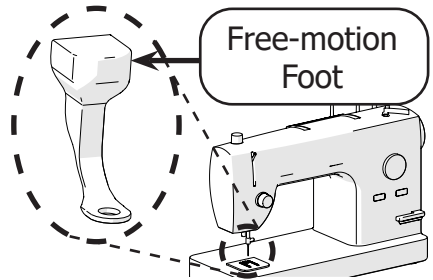
- 7 Turn on your sewing machine. You might hear the motors in your machine engage briefly.



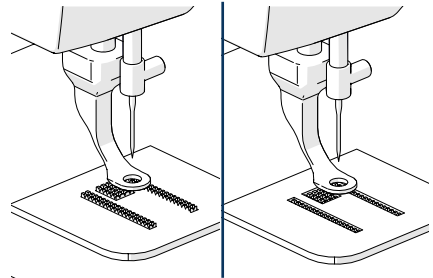
- 8 Check your **sewing machine's user manual** to set your machine to quilting mode. This is not available on all machines, but if it is available it must be used.



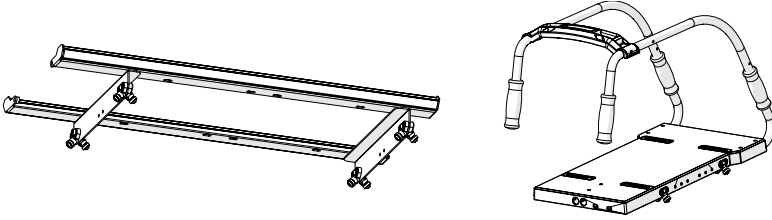
- 9 Swap out the presser foot on your machine for a **free-motion** or **embroidery foot**.



- 10 Lower the feed dogs on your sewing machine so they don't catch on the back of the quilt.



- 11 You're almost ready to get started! Go to page 100 for your final steps.

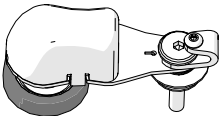


Step One - Installing the Lower Encoder

The lower encoder tracks the movement of the bottom carriage across the frame. This helps SureStitch determine when to move the needle to complete each stitch.

Parts & Tools:

Lower Encoder V5
(green sticker)



Allen Wrench
2.5 mm



Allen Wrench
4 mm

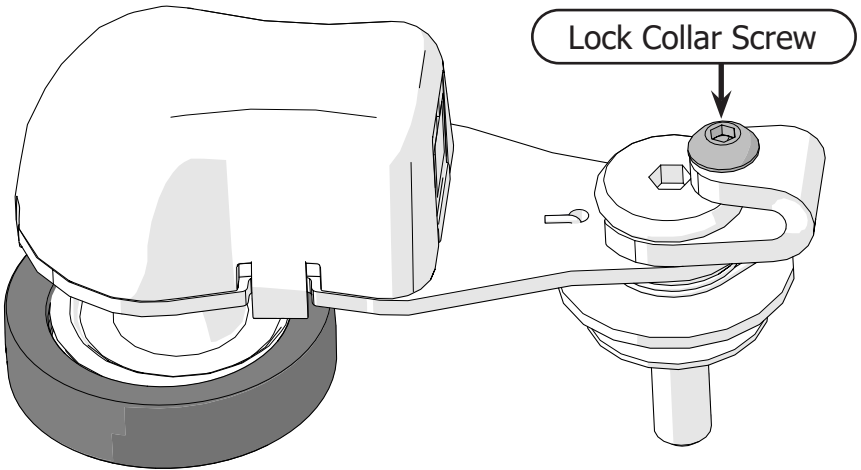


Allen Wrench
5 mm

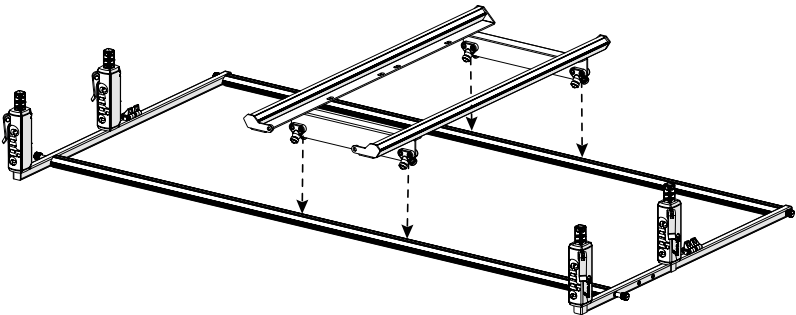


Instructions:

- 1 Use the 2.5 mm Allen wrench to carefully loosen the encoder **lock collar screw**. Do not remove this screw.



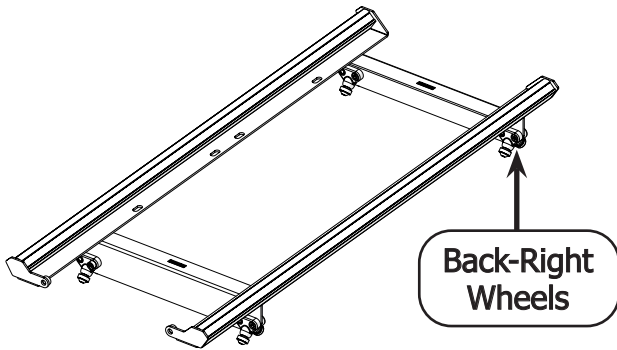
- 2 Install the bottom carriage onto the frame if it is not already installed. See your frame's instruction manual.



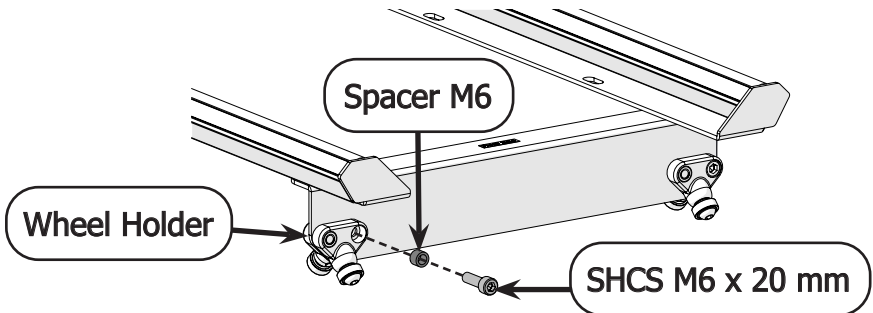
Assembly - SureStitch Elite

Cutie Breeze Carriage & Top Plate (Continued)

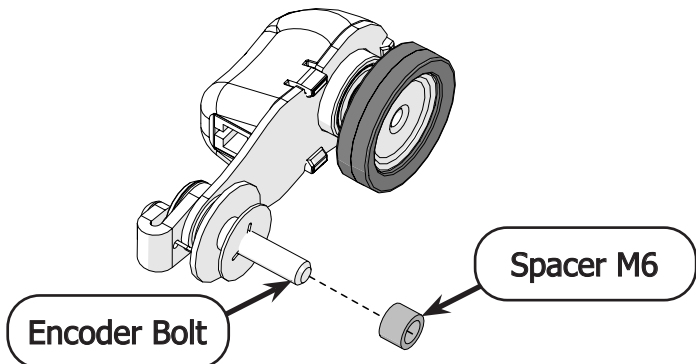
- 3 Locate the **back-right wheels** on the bottom carriage.



- 4 Use the 2.5 mm Allen wrench to remove the **M6 x 20 mm SHCS** and the **M6 spacer** from the back of the back-right **wheel holder**.

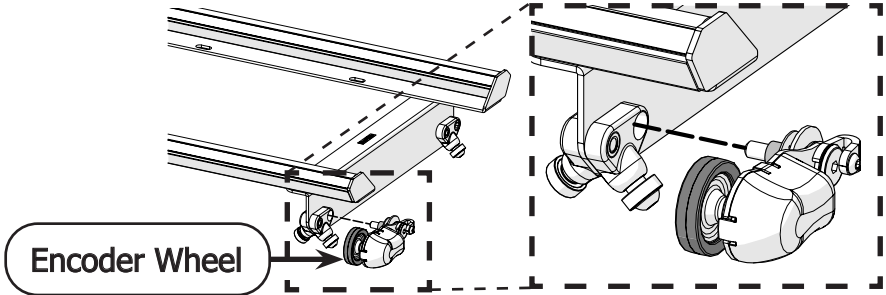


- 5 Slide the **M6 spacer** onto the **encoder bolt**.

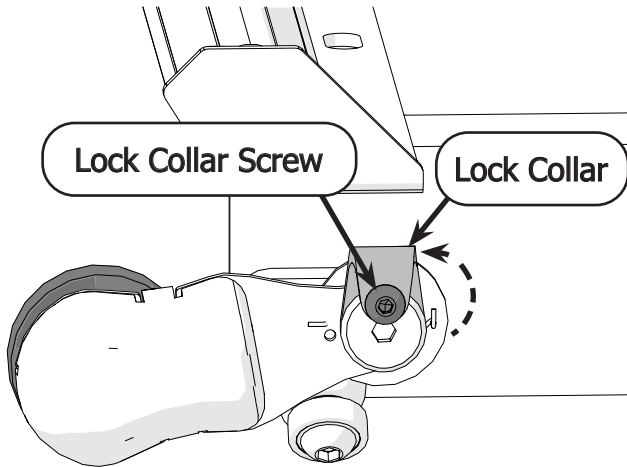


Cutie Breeze Carriage & Top Plate (Continued)

- 6 With the 4 mm Allen wrench, screw the lower encoder bolt into the hole in the wheel holder so that the dark **encoder wheel** is pointing away from the carriage.



- 7 Twist the encoder **lock collar** to point up and tighten the **lock collar screw** with the 2.5 mm Allen wrench to hold it in place.

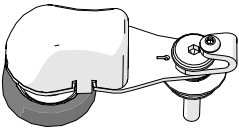


Step Two - Installing the Upper Encoder

The upper encoder tracks the machine movement across the bottom carriage.

Parts & Tools:

Upper Encoder V5
(purple sticker)



Allen Wrench
2.5 mm

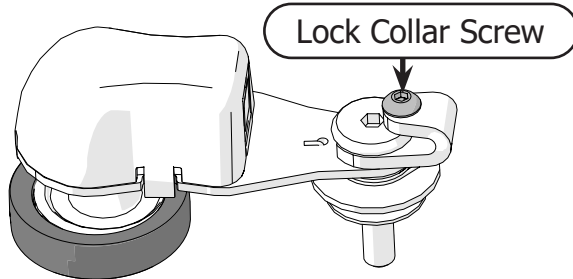


Allen Wrench
4 mm

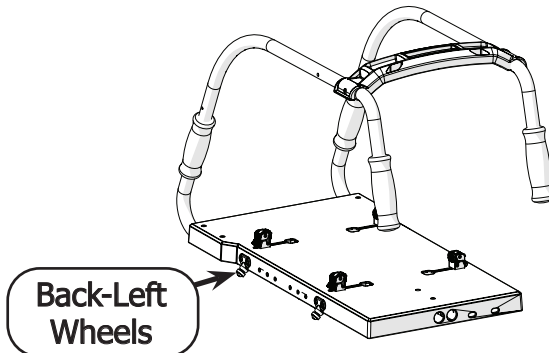


Instructions:

- 1 Use the 2.5 mm Allen wrench to carefully loosen the encoder **lock collar screw**. Do not remove this screw.

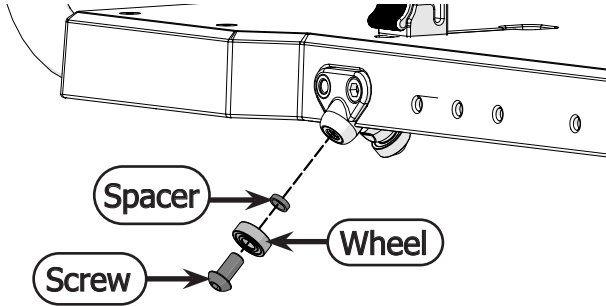


- 2 Locate the **back-left wheels** on the top plate.

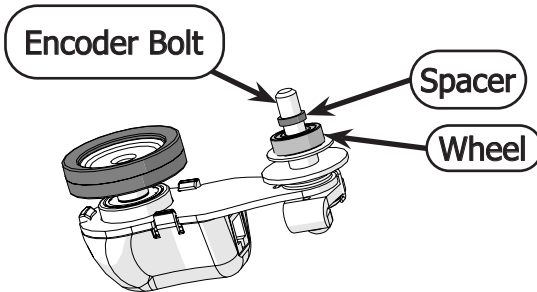


Cutie Breeze Carriage & Top Plate (Continued)

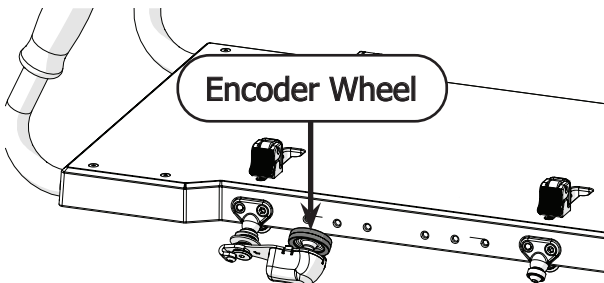
- 3 Use the 4 mm Allen wrench to remove the outside back-left **screw**, **wheel** and **spacer**. The screw is not needed again and can be discarded.



- 4 Slide the **wheel** and then the **spacer** onto the **encoder bolt**.



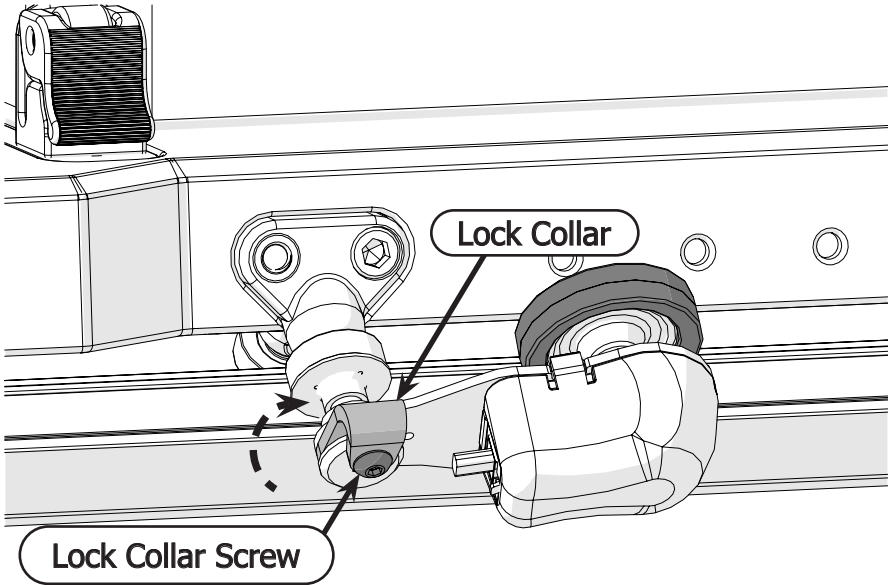
- 5 Use the 4 mm Allen wrench to screw the encoder bolt into the wheel hole so the dark **encoder wheel** points forward.



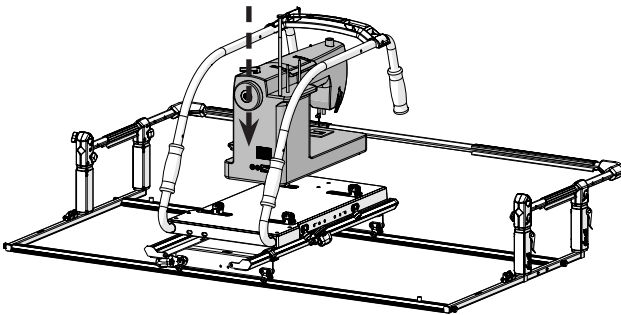
Assembly - SureStitch Elite

Cutie Breeze Carriage & Top Plate (Continued)

- 6 Twist the encoder **lock collar** to point up and tighten the **lock collar screw** with the 2.5 mm Allen wrench to hold it in place.



- 7 Follow the instructions in your frame's manual to install your sewing machine onto the top plate.



Cutie Breeze Carriage & Top Plate (Continued)

Step Three - Install the Screen & Control Box

The display interfaces with the control box so you are able to select your stitch length or motor speed.

Parts & Tools

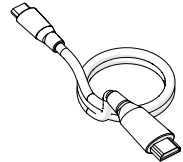
SureStitch Elite
Control Box



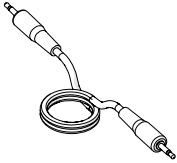
SureStitch Elite
Screen



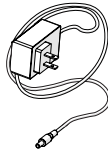
Screen
Cable



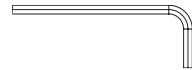
Thread Cutter
Cable



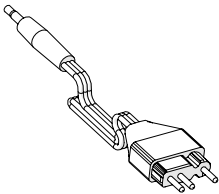
Power
Adapter



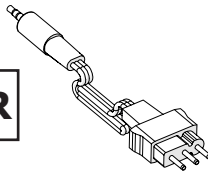
Allen Wrench
2.5 mm



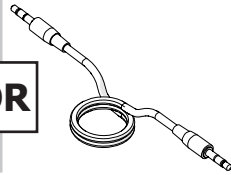
Foot Pedal "A"
Cable



Foot Pedal "B"
Cable



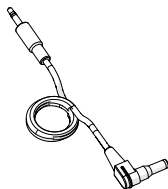
Foot Pedal "C"
Cable



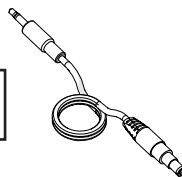
OR

OR

Foot Pedal "D"
Cable



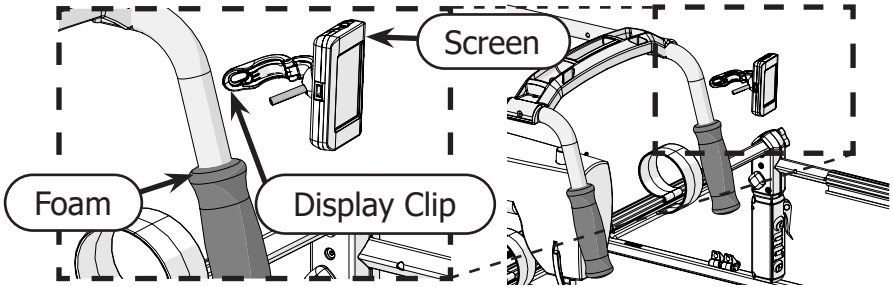
Foot Pedal "E"
Cable



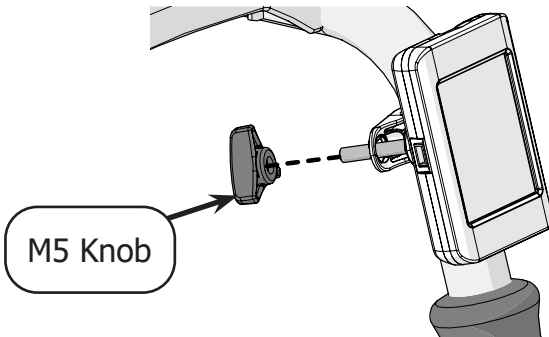
OR

Instructions:

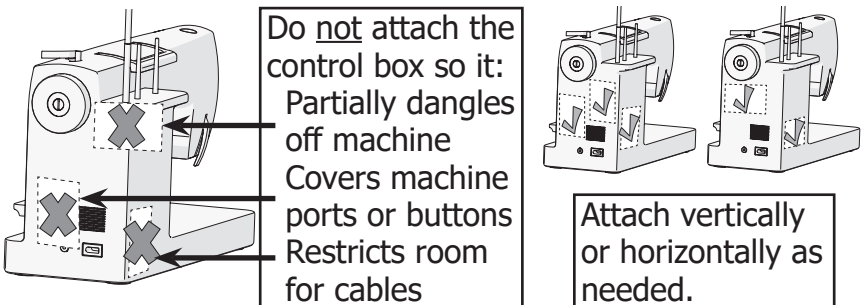
- 1 Open the **display clip** and place the **screen** onto the top plate handles, above the **foam**.



- 2 Close the clip around the handlebar. Tighten it in place by screwing on the **M5 knob**.

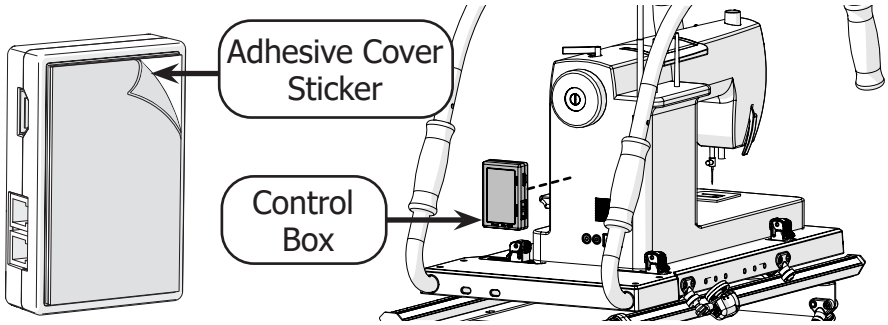


- 3 Test out where to attach the control box to your machine. Ensure there is enough space around each port for cables to be plugged in.



Cutie Breeze Carriage & Top Plate (Continued)

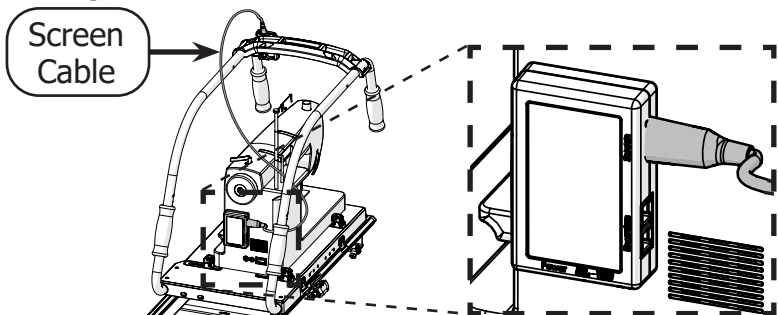
- 4 When you know where to attach the **control box**, remove the **sticker** covering the adhesive side of the velcro. Firmly press the control box onto the machine.



- 5 For your safety, power off and unplug your sewing machine.



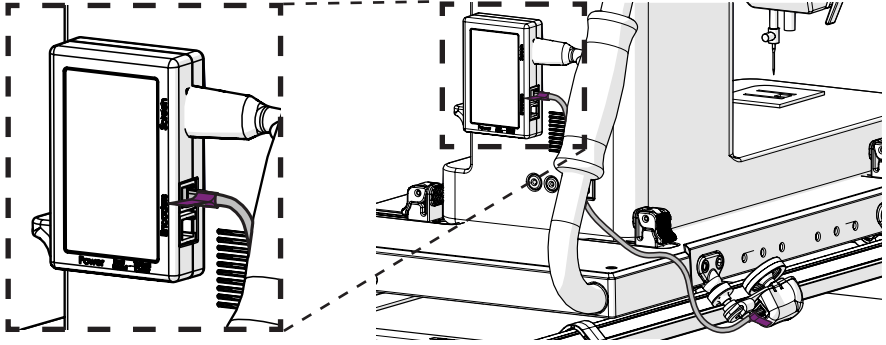
- 6 Plug the **screen cable** into the display and control box. **Tip:** Use the machine clamps on the top plate to pin the cable against the machine.



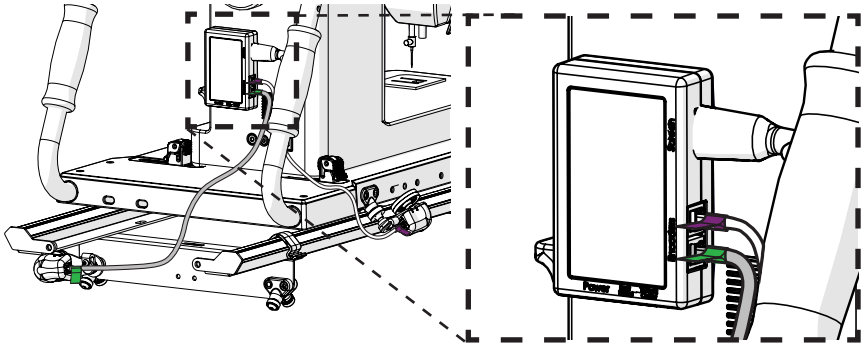
Assembly - SureStitch Elite

Cutie Breeze Carriage & Top Plate (Continued)

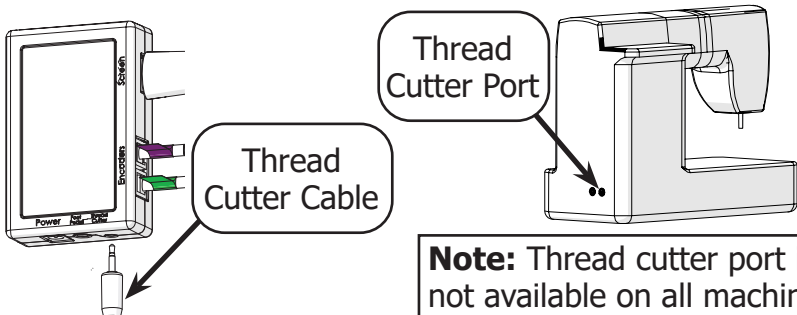
- 7 Plug the encoder with the purple sticker into the purple encoder port.



- 8 Plug the encoder with the green sticker into the green encoder port.



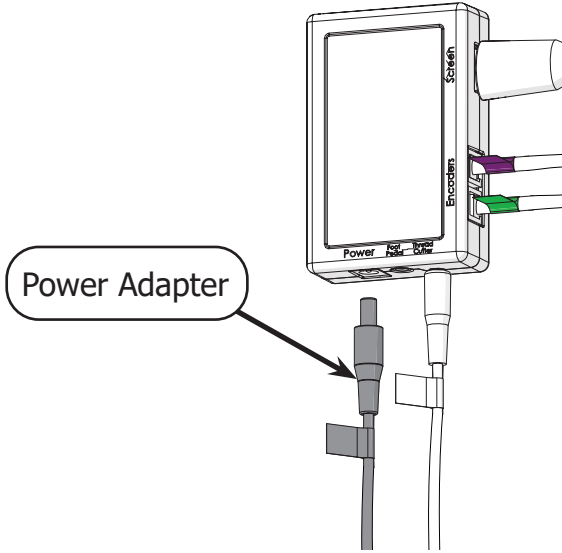
- 9 If your sewing machine has a port for its **thread cutter**, plug SureStitch into this as well with the **thread cutter cable**.



Cutie Breeze Carriage & Top Plate (Continued)

- 10 Plug SureStitch into a power outlet with the **power adapter**. SureStitch turns on automatically.

Do not power on your sewing machine at this time.

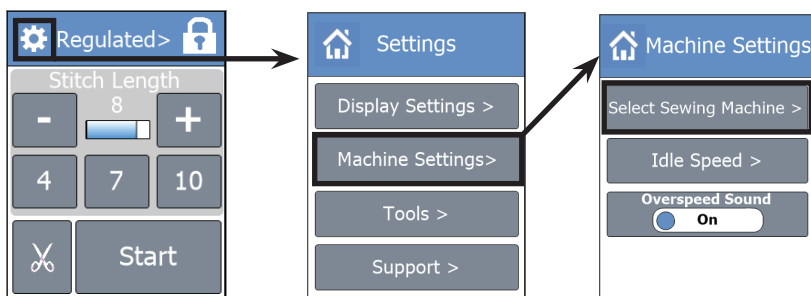


Step Four - Calibrating SureStitch for Your Machine

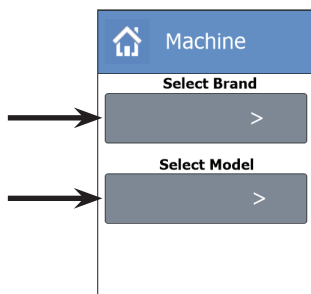
Take the steps below to set up SureStitch to work with your brand and model of sewing machine. Damage to the sewing machine might occur if your machine is connected to SureStitch via the foot pedal port on the control box before SureStitch has been set up to work with your machine.

Warning: Do not plug the machine into the foot pedal port on the control box yet.

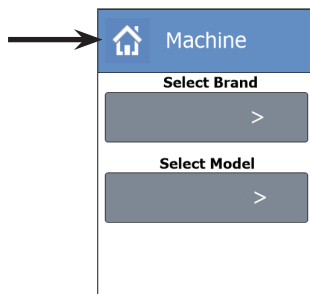
- 1 On the SureStitch screen, press the **Settings** icon and choose **Machine Settings**. The **Machine Settings** menu opens. Press **Select Sewing Machine**.



- 2 Choose the **brand** of your machine and then select the **model**.



- 3 Press the **Home icon** at the top to close the menu.

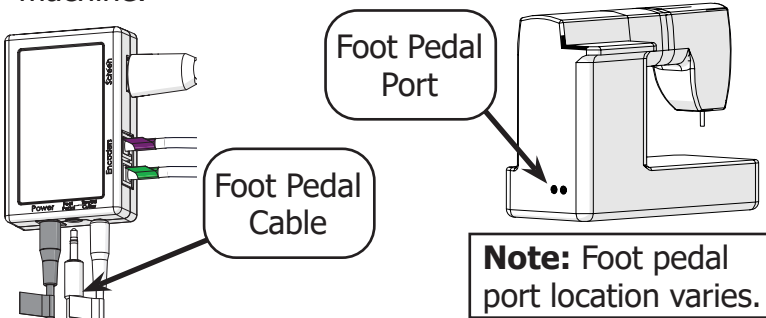


Cutie Breeze Carriage & Top Plate (Continued)

- 4 Unplug SureStitch from the power source. Neither SureStitch or your sewing machine should be plugged into a power outlet at this time.



- 5 Plug SureStitch into your **sewing machine's foot pedal port** using the **foot pedal cable** that matches your machine.



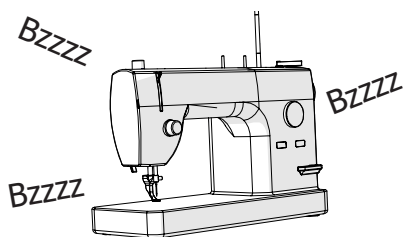
- 6 Now that SureStitch is plugged into the machine, plug both your sewing machine and SureStitch into a power outlet.

Note: Both the control box and your sewing machine need to be plugged in and powered on for SureStitch to work. Some machines appear to power on when only SureStitch is plugged into a power source, but this does not provide sufficient power. The machine must still be plugged in separately.

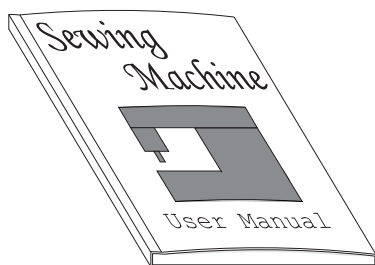
Assembly - SureStitch Elite

Cutie Breeze Carriage & Top Plate (Continued)

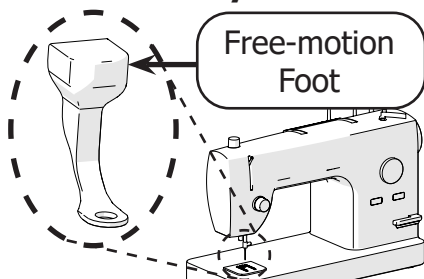
- 7 Turn on your sewing machine. You might hear the motors in your machine engage briefly.



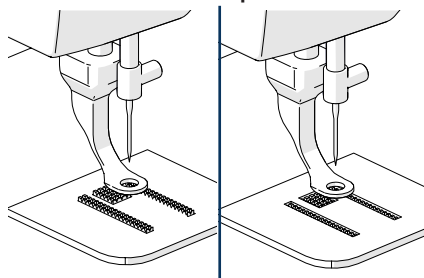
- 8 Check your **sewing machine's user manual** to set your machine to quilting mode. This is not available on all machines, but if it is available it must be used.



- 9 Swap out the presser foot on your machine for a **free-motion** or **embroidery foot**.

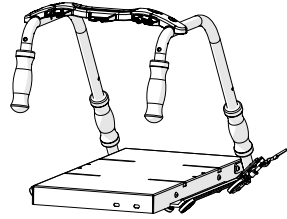
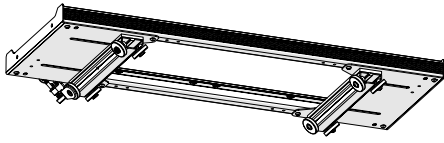


- 10 Lower the feed dogs on your sewing machine so they don't catch on the back of the quilt.



- 11 You're almost ready to get started! Go to page 100 for your final steps.

Continuum Carriage & G-Series Top Plate

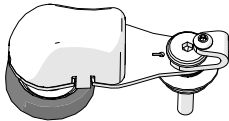


Step One - Installing the Lower Encoder

The lower encoder tracks the movement of the bottom carriage across the frame. This helps SureStitch calculate the length of each stitch as you quilt.

Parts & Tools:

Lower Encoder V5
(green sticker)



Allen Wrench
2.5 mm

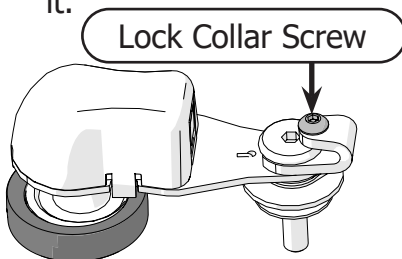


Allen Wrench
4 mm

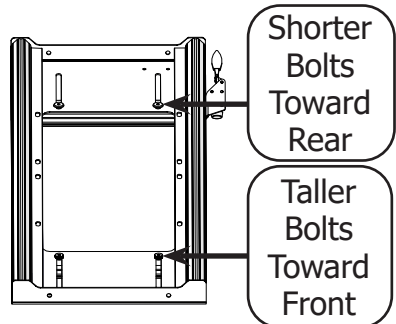


Instructions:

- 1 Use the 2.5 mm Allen wrench to loosen the **encoder lock collar screw** without removing it.



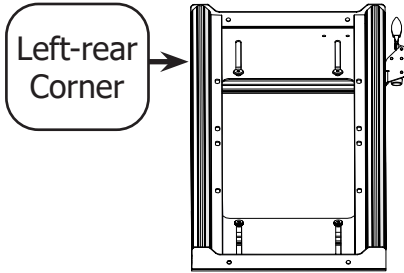
- 2 Locate the front of the bottom carriage.



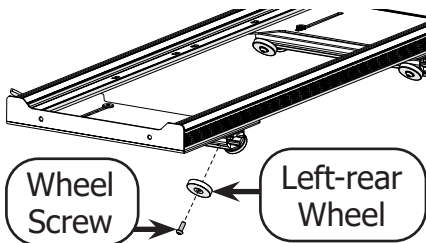
Assembly - SureStitch Elite

Continuum Carriage & G-Series Top Plate (Continued)

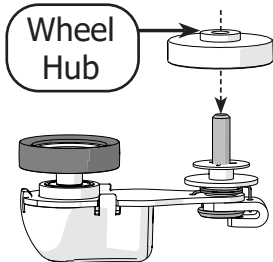
- 3 Find the **left-rear corner** of the bottom carriage.



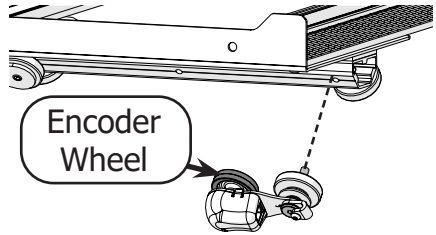
- 4 With the 4 mm Allen wrench, remove the outermost **left-rear wheel** and **screw** from the bottom carriage.



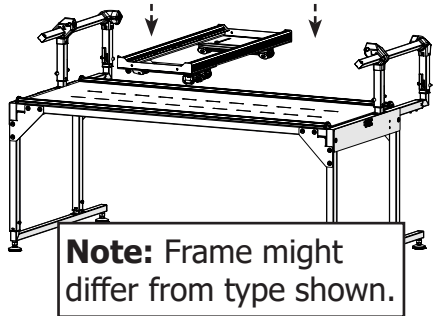
- 5 Place the carriage wheel onto the encoder screw so the **wheel hub** faces away from the encoder.



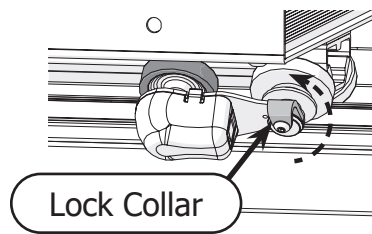
- 6 Screw the encoder and wheel back into the carriage so that the dark **encoder wheel** is to the left of the wheel.



- 7 If the bottom carriage is not already on the frame, place it there now.



- 8 Turn the encoder **lock collar** to point upwards and tighten the lock collar screw with the 2.5 mm Allen wrench.

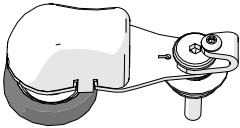


Step Two - Installing the Upper Encoder

The upper encoder tracks the movement of the top plate across the bottom carriage.

Parts & Tools:

Upper Encoder V5
(purple sticker)



Allen Wrench
2.5 mm

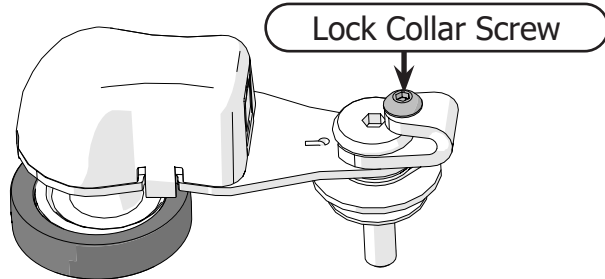


Allen Wrench
4 mm

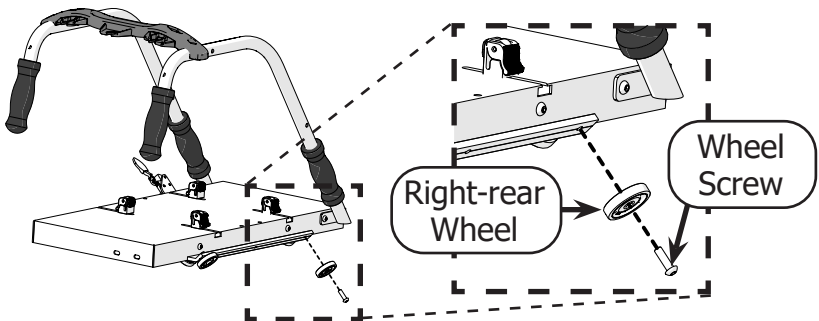


Instructions:

- 1 Use the 2.5 mm Allen wrench to carefully loosen the **encoder lock collar screw**. Do not remove this screw.



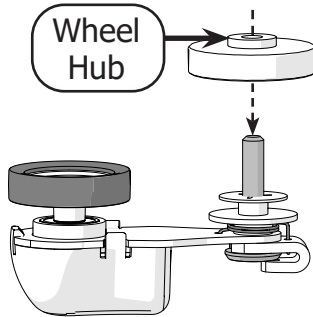
- 2 Remove the **right-rear wheel** and **wheel screw** from the top plate with the 4 mm Allen wrench.



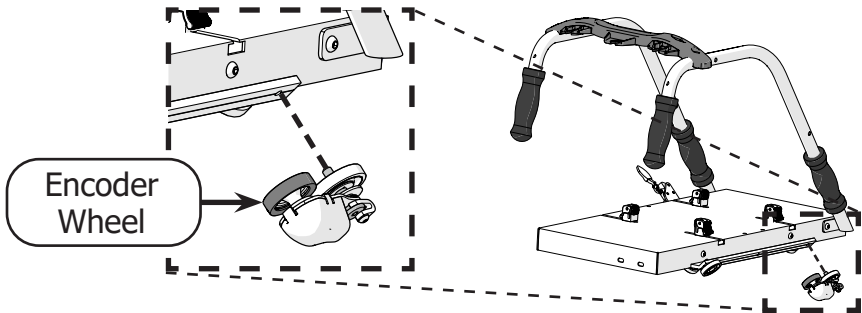
Assembly - SureStitch Elite

Continuum Carriage & G-Series Top Plate (Continued)

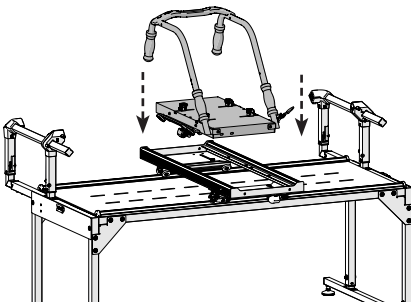
- 3 Place the bottom carriage wheel onto the encoder screw so the **wheel hub** faces away from the encoder.



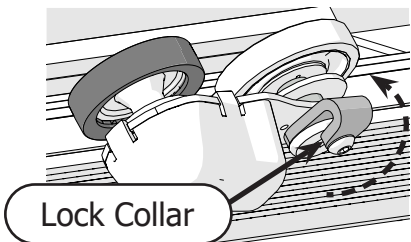
- 4 Install the wheel and encoder onto the top plate. The **encoder wheel** should lay between the right front and rear wheels.



- 5 Install the top plate onto the **bottom carriage**, if it is not already there.



- 6 Turn the encoder **lock collar** upwards, and tighten the lock collar screw with the 2.5 mm Allen wrench.



Continuum Carriage & G-Series Top Plate (Continued)

Step Three - Install the Screen & Control Box

When you select a stitch length or motor speed on the screen, it is sent to the control box.

Parts & Tools

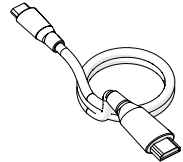
SureStitch Elite
Control Box



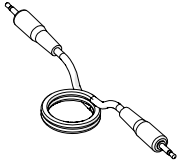
SureStitch Elite
Screen



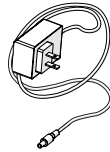
Screen
Cable



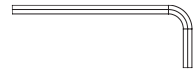
Thread Cutter
Cable



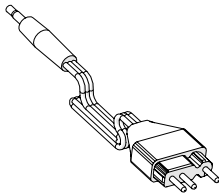
Power
Adapter



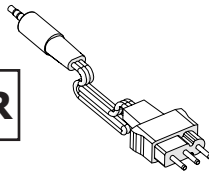
Allen Wrench
2.5 mm



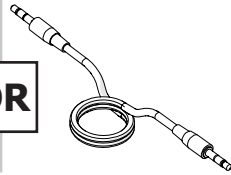
Foot Pedal "A"
Cable



Foot Pedal "B"
Cable



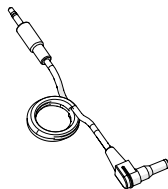
Foot Pedal "C"
Cable



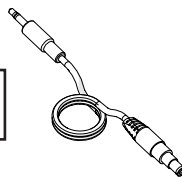
OR

OR

Foot Pedal "D"
Cable



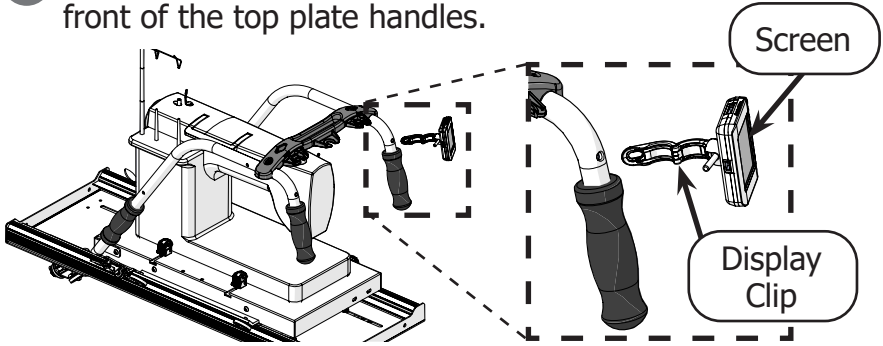
Foot Pedal "E"
Cable



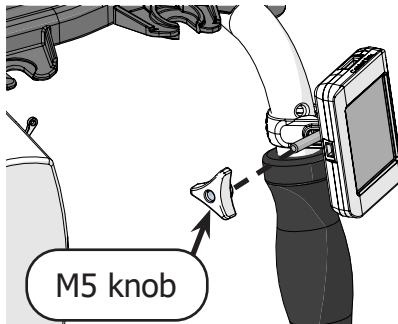
OR

Instructions:

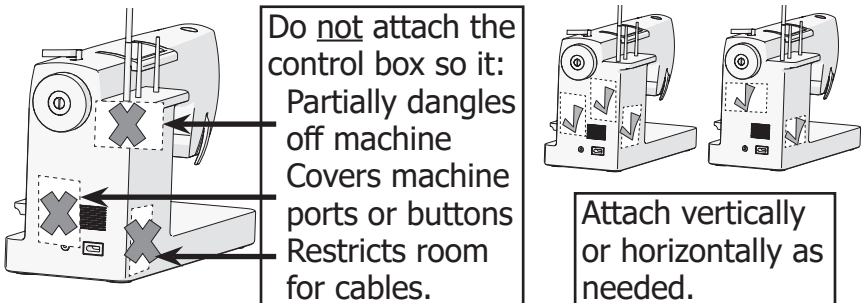
- 1 Open the **display clip** and place the **screen** onto the front of the top plate handles.



- 2 Close the clip around the handlebar. Tighten it in place by screwing on the **M5 knob**.

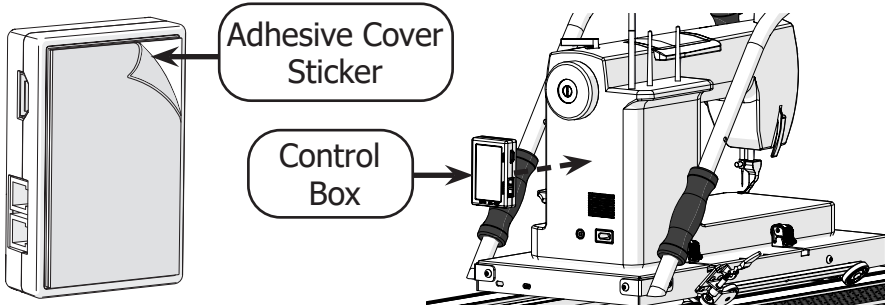


- 3 Test out where to attach the control box to your machine. Ensure there is enough space around each port for cables to be plugged in.

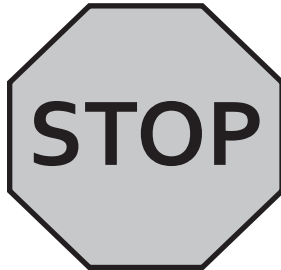


Continuum Carriage & G-Series Top Plate (Continued)

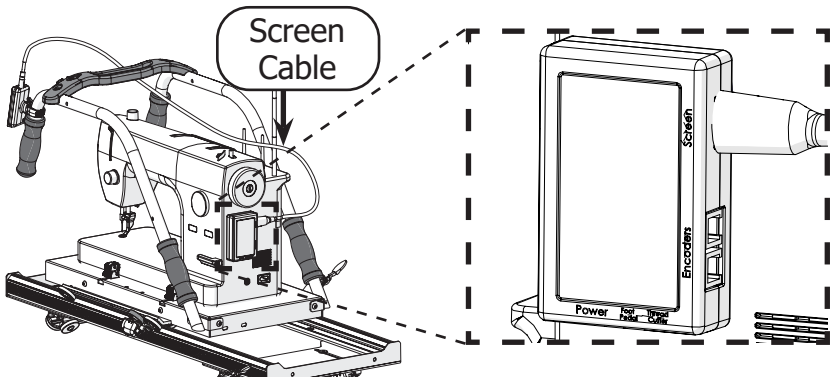
- 4 When you know where to attach the **control box**, remove the **sticker** covering the adhesive side of the velcro. Firmly press the control box onto the machine.



- 5 For your safety, power off and unplug your sewing machine.



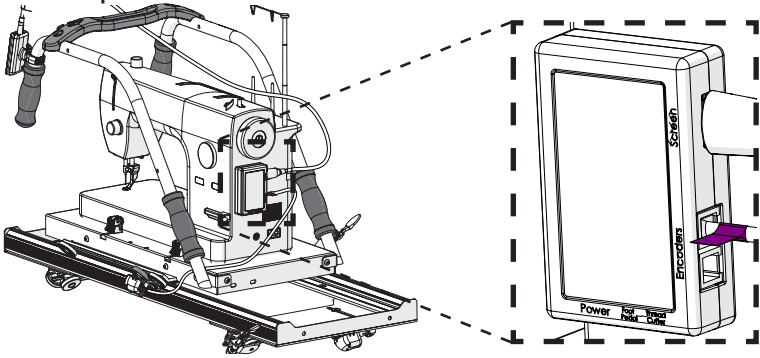
- 6 Plug the **screen cable** into the display and control box.



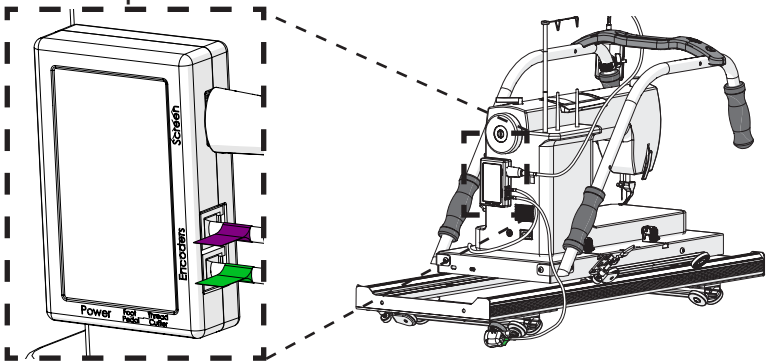
Assembly - SureStitch Elite

Continuum Carriage & G-Series Top Plate (Continued)

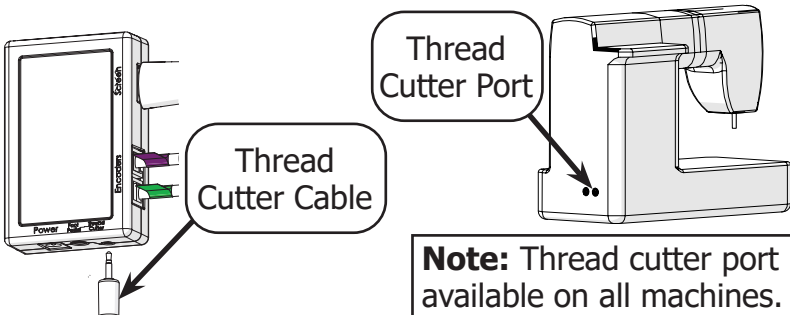
- 7 Plug the encoder with the purple sticker into the purple encoder port.



- 8 Plug the encoder with the green sticker into the green encoder port.



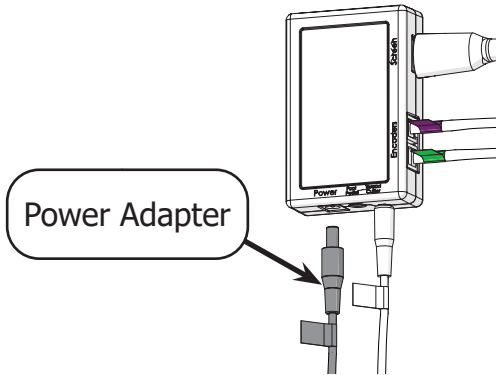
- 9 If your sewing machine has a port for its **thread cutter**, plug SureStitch into this as well with the **thread cutter cable**.



Continuum Carriage & G-Series Top Plate (Continued)

- 10 Plug SureStitch into a power outlet with the **power adapter**. SureStitch turns on automatically.

Do not power on your sewing machine at this time.

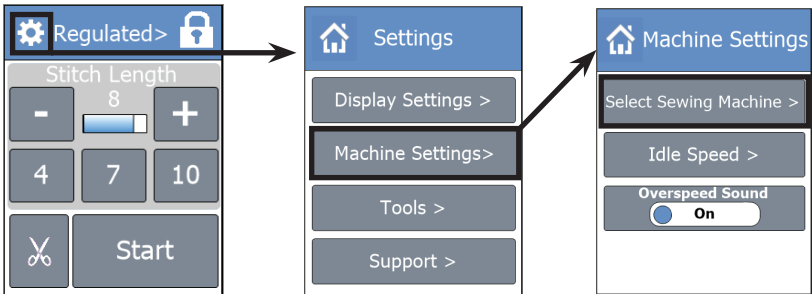


Step Four - Calibrating SureStitch for Your Machine

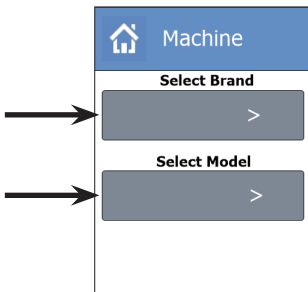
Take the steps below to set up SureStitch to work with your brand and model of sewing machine. Damage to the sewing machine might occur if your machine is connected to SureStitch via the foot pedal port on the control box before SureStitch has been set up to work with your machine.

Warning: Do not plug the machine into the foot pedal port on the control box yet.

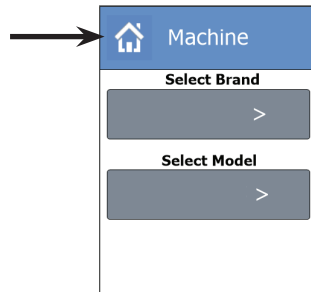
- 1 On the SureStitch screen, press the **Settings** icon and choose **Machine Settings**. The **Machine Settings** menu opens. Press **Select Sewing Machine**.



- 2 Choose the **brand** of your machine and then select the **model**.



- 3 Press the **Home icon** at the top to close the menu.

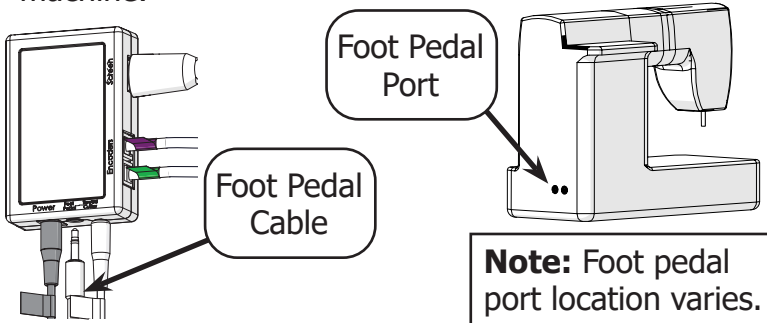


Continuum Carriage & G-Series Top Plate (Continued)

- 4 Unplug SureStitch from the power source. Neither SureStitch or your sewing machine should be plugged into a power outlet at this time.



- 5 Plug SureStitch into your **sewing machine's foot pedal port** using the **foot pedal cable** that matches your machine.



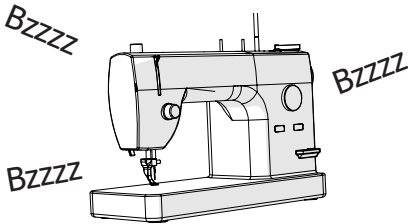
- 6 Now that SureStitch is plugged into the machine, plug both your sewing machine and SureStitch into a power outlet.

Note: Both the control box and your sewing machine need to be plugged in and powered on for SureStitch to work. Some machines appear to power on when only SureStitch is plugged into a power source, but this does not provide sufficient power. The machine must still be plugged in separately.

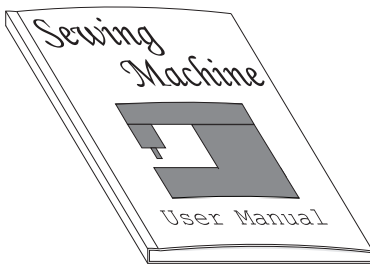
Assembly - SureStitch Elite

Continuum Carriage & G-Series Top Plate (Continued)

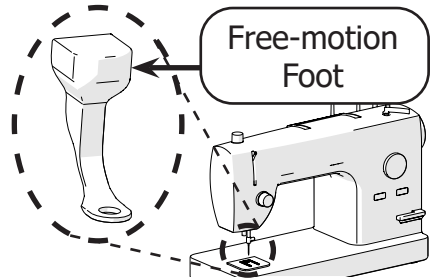
- 7 Turn on your sewing machine. You might hear the motors in your machine engage briefly.



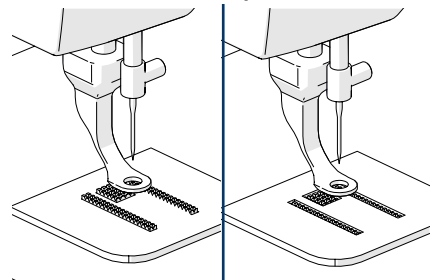
- 8 Check your **sewing machine's user manual** to set your machine to quilting mode. This is not available on all machines, but if it is available it must be used.



- 9 Swap out the presser foot on your machine for a **free-motion** or **embroidery foot**.

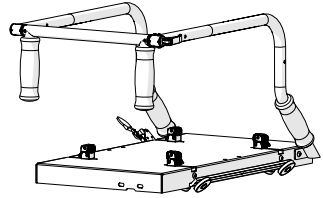
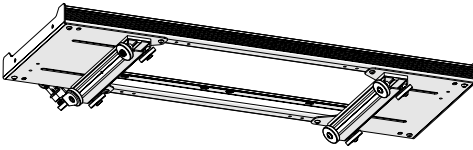


- 10 Lower the feed dogs on your sewing machine so they don't catch on the back of the quilt.



- 11 You're almost ready to get started! Go to page 100 for your final steps.

Continuum Carriage & G-Series 2 Top Plate



Step One - Installing the Lower Encoder

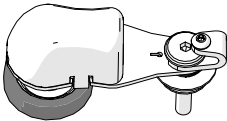
The lower encoder tracks the movement of the bottom carriage across the frame. This helps SureStitch determine when to move the needle to complete each stitch.

Parts & Tools:

Lower Encoder V5
(green sticker)

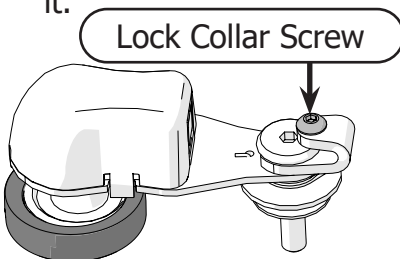
Allen Wrench
2.5 mm

Allen Wrench
4 mm

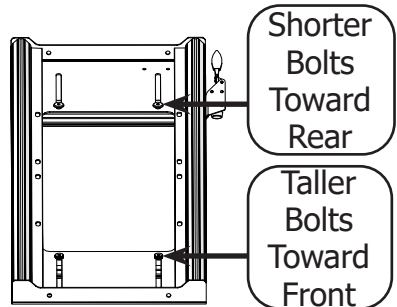


Instructions:

- 1 Use the 2.5 mm Allen wrench to loosen the **encoder lock collar screw** without removing it.



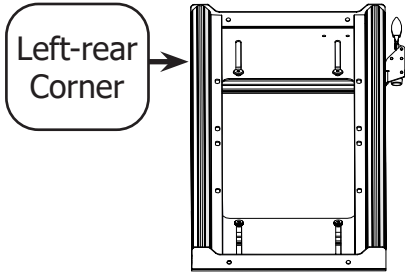
- 2 Locate the front of the bottom carriage.



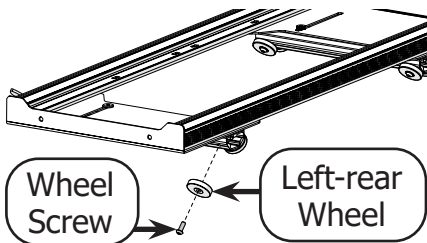
Assembly - SureStitch Elite

Continuum Carriage & G-Series 2 Top Plate (Continued)

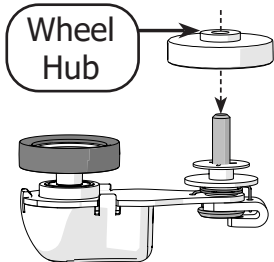
- 3 Find the **left-rear corner** of the bottom carriage.



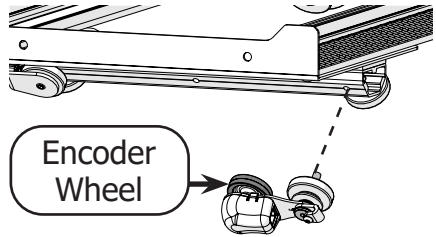
- 4 With the 4 mm Allen wrench, remove the outermost **left-rear wheel** and **screw** from the bottom carriage.



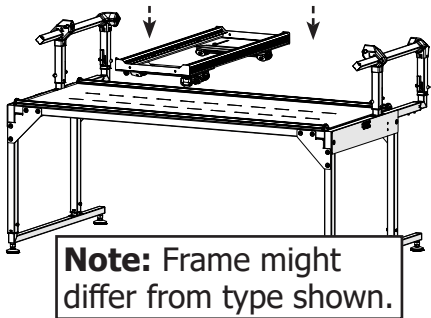
- 5 Place the carriage wheel onto the encoder screw so the **wheel hub** faces away from the encoder.



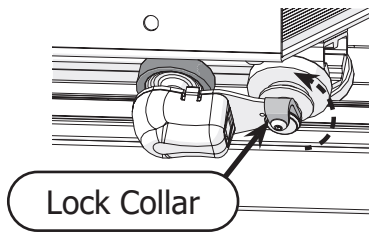
- 6 Screw the encoder and wheel back into the carriage so that the dark **encoder wheel** is to the left of the wheel.



- 7 If the bottom carriage is not already on the frame, place it there now.



- 8 Turn the encoder **lock collar** to point upwards and tighten the lock collar screw with the 2.5 mm Allen wrench.

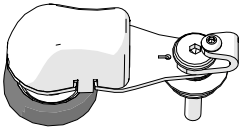


Step Two - Installing the Upper Encoder

The upper encoder tracks the movement of the top plate across the bottom carriage.

Parts & Tools:

Upper Encoder V5
(purple sticker)



Allen Wrench
2.5 mm

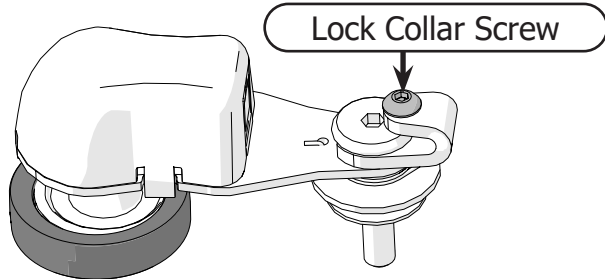


Allen Wrench
4 mm

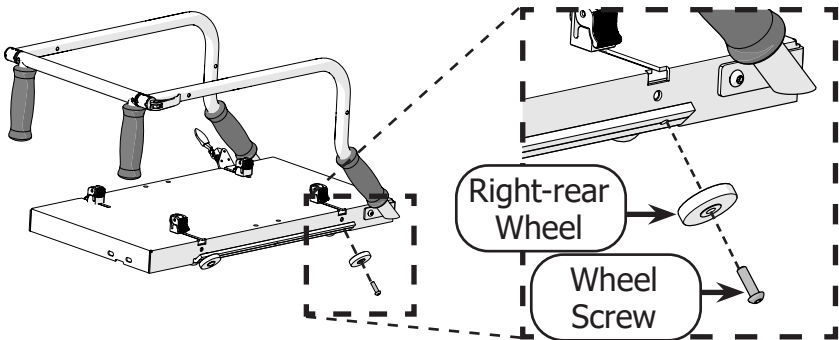


Instructions:

- 1 Use the 2.5 mm Allen wrench to carefully loosen the **encoder lock collar screw**. Do not remove this screw.



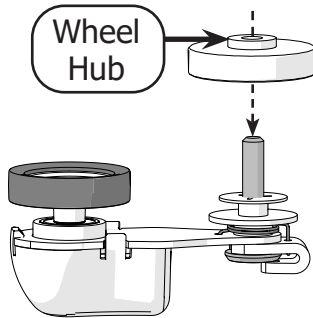
- 2 Remove the **right-rear wheel** and **screw** from the top plate with the 4 mm Allen wrench.



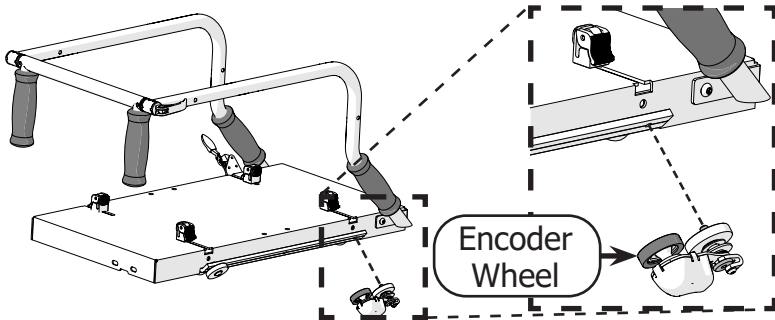
Assembly - SureStitch Elite

Continuum Carriage & G-Series 2 Top Plate (Continued)

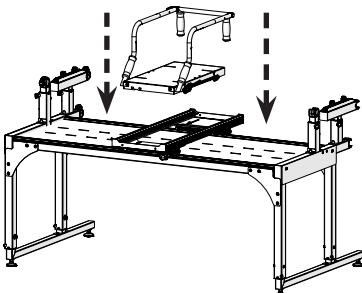
- 3 Place the bottom carriage wheel onto the encoder screw so the **wheel hub** faces away from the encoder.



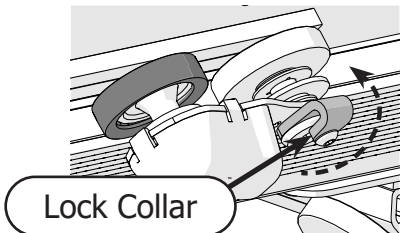
- 4 Install the wheel and encoder onto the top plate. The dark **encoder wheel** should lay between the front and rear wheels.



- 5 Install the top plate onto the **bottom carriage**, if it is not already there.



- 6 Turn the encoder lock collar upwards, and tighten the lock collar screw with the 2.5 mm Allen wrench.



Continuum Carriage & G-Series 2 Top Plate (Continued)

Step Three - Install the Screen & Control Box

When you select a stitch length or motor speed on the screen, it is sent to the control box.

Parts & Tools

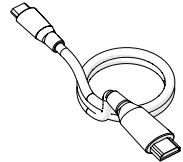
SureStitch Elite
Control Box



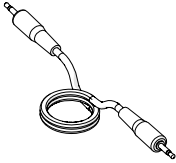
SureStitch Elite
Screen



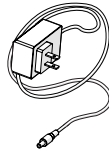
Screen
Cable



Thread Cutter
Cable



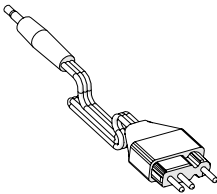
Power
Adapter



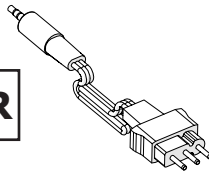
Allen Wrench
2.5 mm



Foot Pedal "A"
Cable

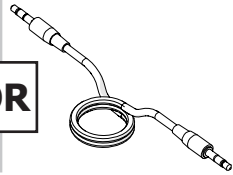


Foot Pedal "B"
Cable



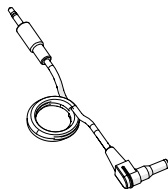
OR

Foot Pedal "C"
Cable

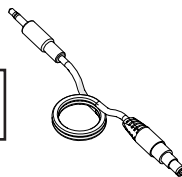


OR

Foot Pedal "D"
Cable



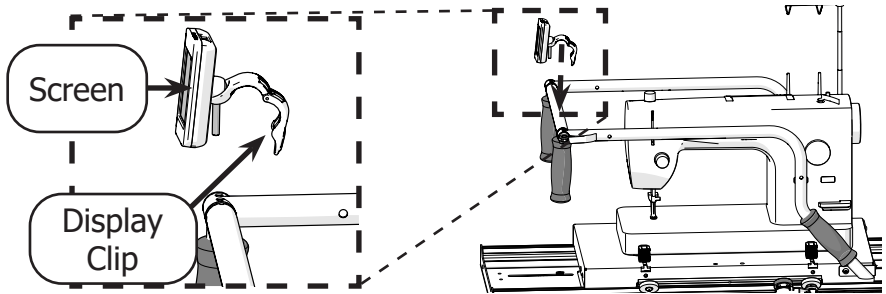
Foot Pedal "E"
Cable



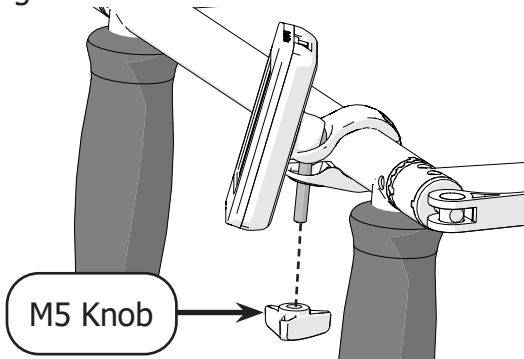
OR

Instructions:

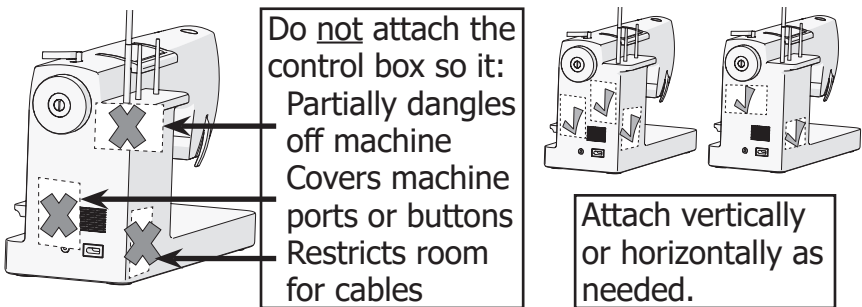
- 1 Open the **display clip** and place the **screen** onto the front of the top plate handles.



- 2 Close the clip around the handlebar. Tighten it in place by screwing on the **M5 knob**.

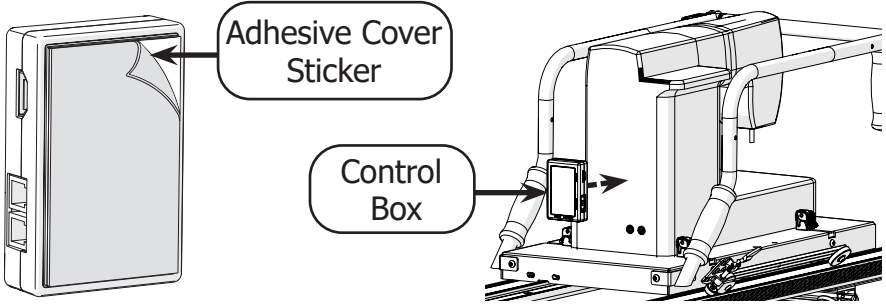


- 3 Test out where to attach the control box to your machine. Ensure there is enough space around each port for cables to be plugged in.



Continuum Carriage & G-Series 2 Top Plate (Continued)

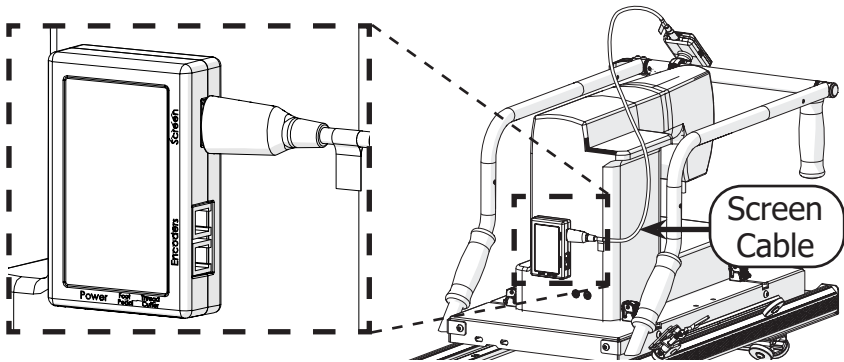
- 4 When you know where to attach the **control box**, remove the **sticker** covering the adhesive side of the velcro. Firmly press the control box onto the machine.



- 5 For your safety, power off and unplug your sewing machine.



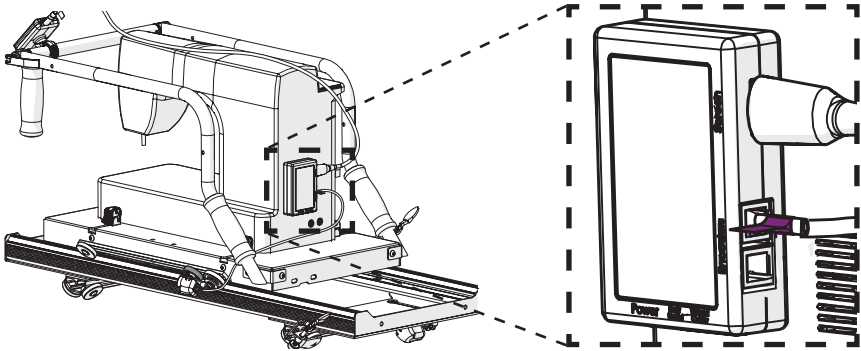
- 6 Plug the **screen cable** into the display and control box.



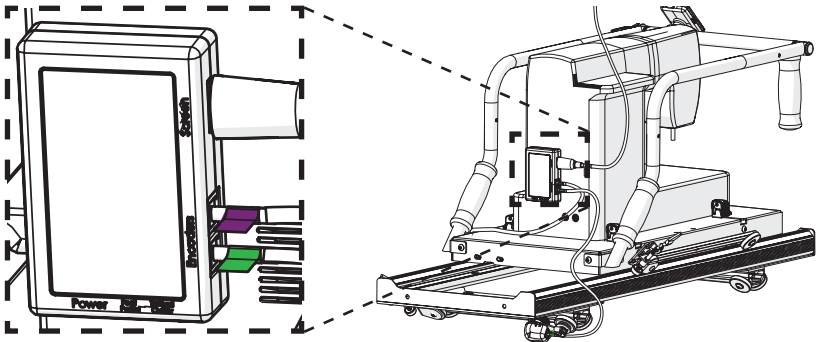
Assembly - SureStitch Elite

Continuum Carriage & G-Series 2 Top Plate (Continued)

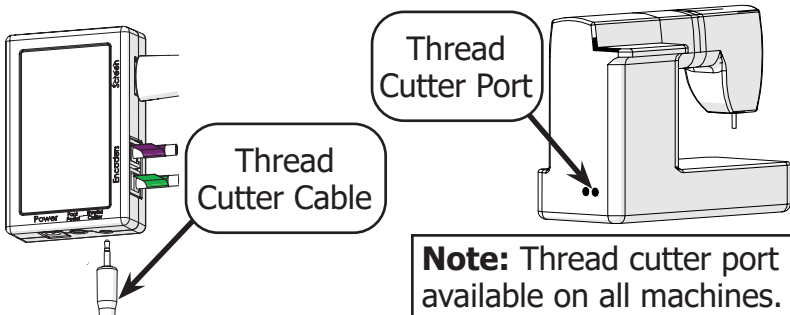
- 7 Plug the encoder with the purple sticker into the purple encoder port.



- 8 Plug the encoder with the green sticker into the green encoder port.



- 9 If your sewing machine has a port for its **thread cutter**, plug SureStitch into this as well with the **thread cutter cable**.

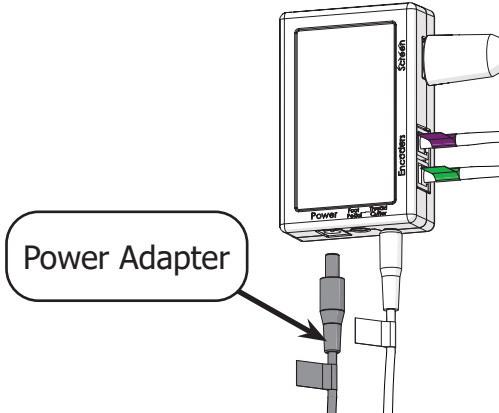


Note: Thread cutter port not available on all machines.

Continuum Carriage & G-Series 2 Top Plate (Continued)

- 10 Plug SureStitch into a power outlet with the **power adapter**. SureStitch turns on automatically.

Do not power on your sewing machine at this time.

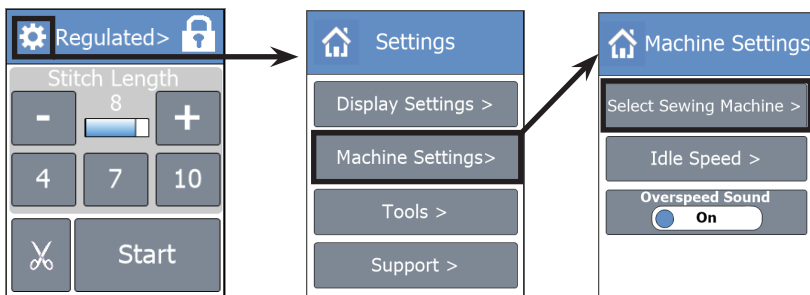


Step Four - Calibrating SureStitch for Your Machine

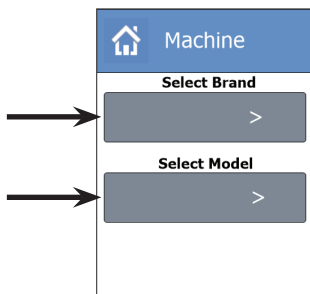
Take the steps below to set up SureStitch to work with your brand and model of sewing machine. Damage to the sewing machine might occur if your machine is powered on and connected to SureStitch before SureStitch has been set up to work with your machine.

Warning: Power off your sewing machine before taking these steps.

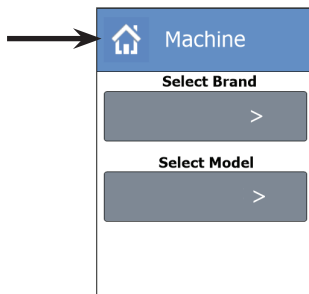
- 1 On the SureStitch screen, press the **Settings** icon and choose **Machine Settings**. The **Machine Settings** menu opens. Press **Select Sewing Machine**.



- 2 Choose the **brand** of your machine and then select the **model**.



- 3 Press the **Home icon** at the top to close the menu.

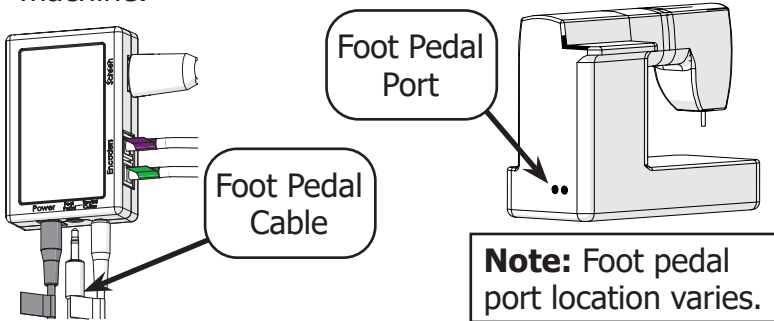


Continuum Carriage & G-Series 2 Top Plate (Continued)

- 4 Unplug SureStitch from the power source. Neither SureStitch or your sewing machine should be plugged into a power outlet at this time.



- 5 Plug SureStitch into your **sewing machine's foot pedal port** using the **foot pedal cable** that matches your machine.



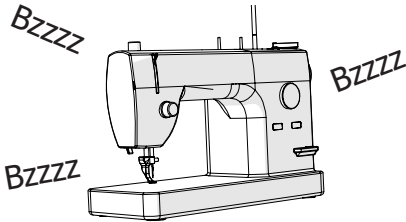
- 6 Now that SureStitch is plugged into the machine, plug both your sewing machine and SureStitch into a power outlet.

Note: Both the control box and your sewing machine need to be plugged in and powered on for SureStitch to work. Some machines appear to power on when only SureStitch is plugged into a power source, but this does not provide sufficient power. The machine must still be plugged in separately.

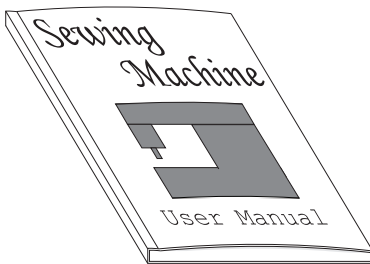
Assembly - SureStitch Elite

Continuum Carriage & G-Series 2 Top Plate (Continued)

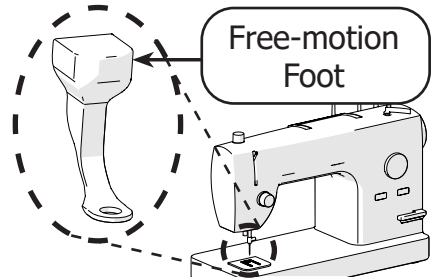
- 7 Turn on your sewing machine. You might hear the motors in your machine engage briefly.



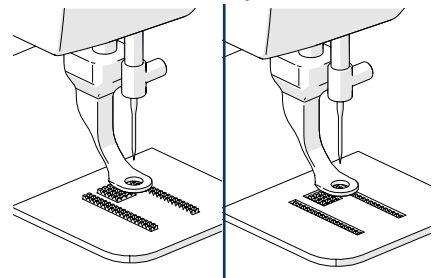
- 8 Check your **sewing machine's user manual** to set your machine to quilting mode. This is not available on all machines, but if it is available it must be used.



- 9 Swap out the presser foot on your machine for a **free-motion** or **embroidery foot**.

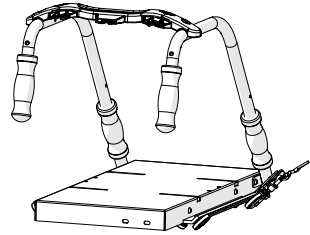
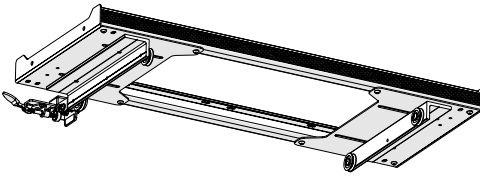


- 10 Lower the feed dogs on your sewing machine so they don't catch on the back of the quilt.



- 11 You're almost ready to get started! Go to page 100 for your final steps.

G-Series Carriage & G-Series Top Plate

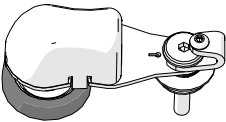


Step One - Installing the Lower Encoder

The lower encoder tracks the movement of the bottom carriage across the frame. This helps SureStitch determine when to move the needle to complete each stitch.

Parts & Tools:

Lower Encoder V5
(green sticker)



Allen Wrench
2.5 mm

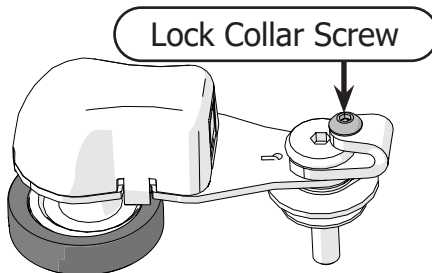


Allen Wrench
4 mm



Instructions:

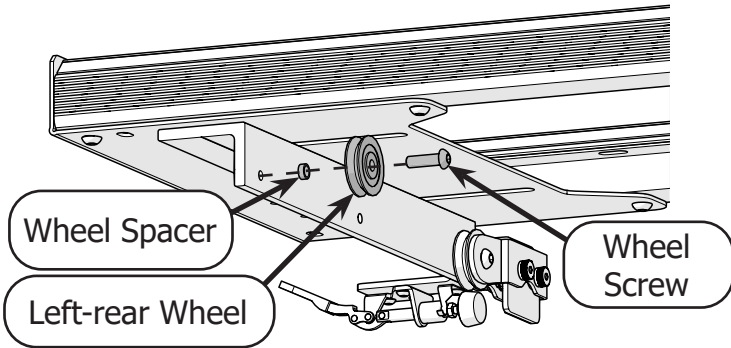
- 1 Use the 2.5 mm Allen wrench to loosen the **encoder lock collar screw** without removing it.



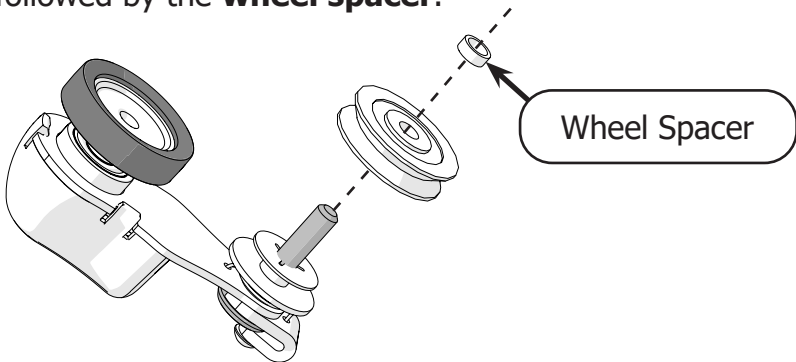
Assembly - SureStitch Elite

G-Series Carriage & G-Series Top Plate (Continued)

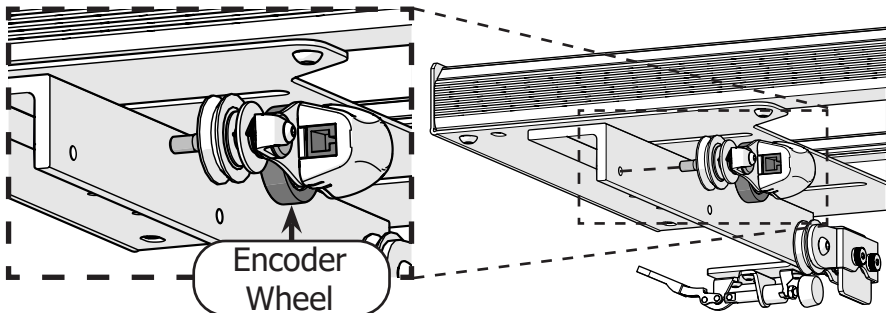
- 2 With the 4 mm Allen wrench, remove the **left-rear wheel**, **spacer**, and **screw** from the carriage.



- 3 Place the bottom carriage wheel onto the encoder screw, followed by the **wheel spacer**.

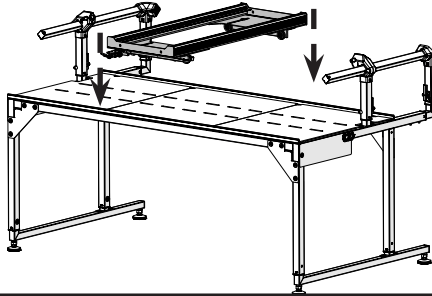


- 4 Screw the encoder and wheel into the carriage with the 4 mm Allen wrench so that the dark **encoder wheel** lays between the two rear wheels.



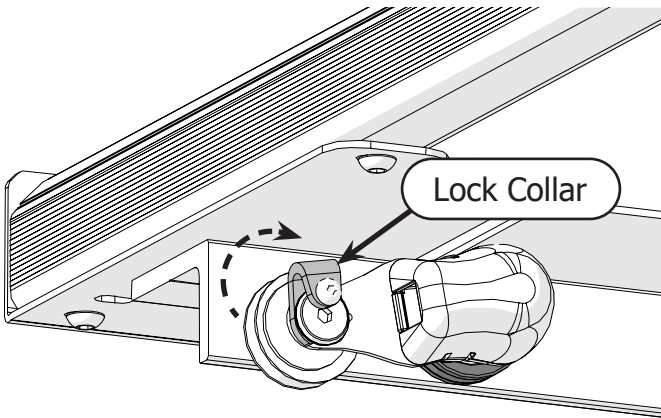
G-Series Carriage & G-Series Top Plate (Continued)

- 5 If the bottom carriage is not already on the frame, place it now.



Note: Frame might differ from type shown.

- 6 Turn the encoder **lock collar** upwards, and tighten the lock collar screw with the 2.5 mm Allen wrench.

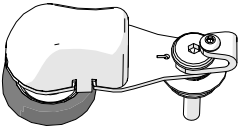


Step Two - Installing the Upper Encoder

The upper encoder tracks the movement of the top plate across the bottom carriage.

Parts & Tools:

Upper Encoder V5
(purple sticker)



Allen Wrench
2.5 mm

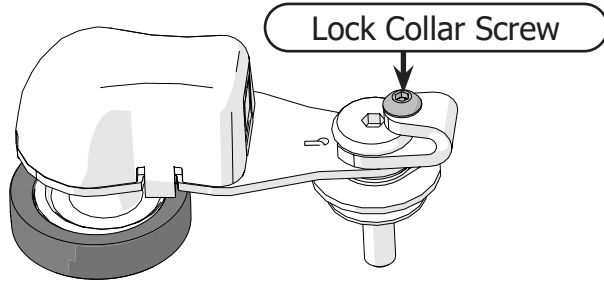


Allen Wrench
4 mm

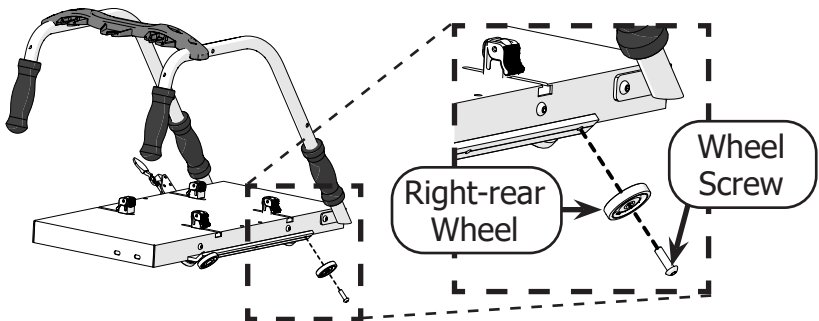


Instructions:

- 1 Use the 2.5 mm Allen wrench to carefully loosen the **encoder lock collar screw**. Do not remove this screw.

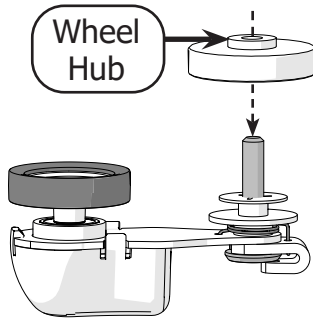


- 2 Remove the **right-rear wheel** and **wheel screw** from the top plate with the 4 mm Allen wrench.

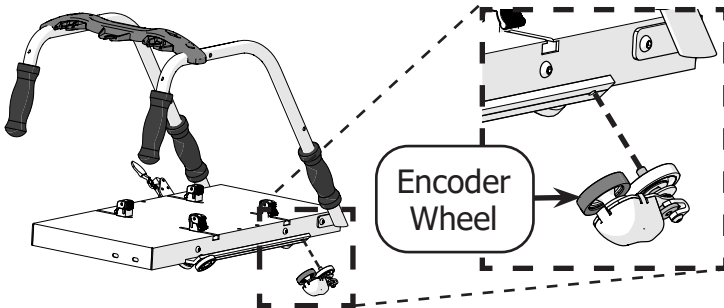


G-Series Carriage & G-Series Top Plate (Continued)

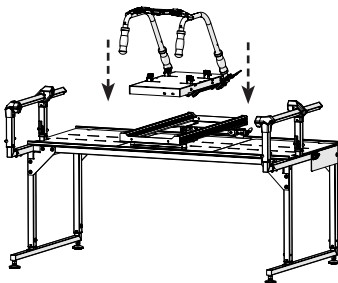
- 3 Place the bottom carriage wheel onto the encoder screw so the **wheel hub** faces away from the encoder.



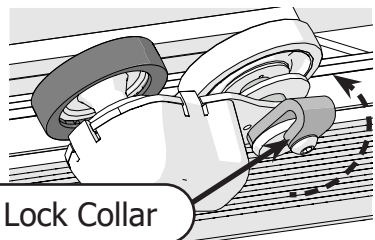
- 4 Install the wheel and encoder onto the top plate. The dark **encoder wheel** should lay between the right front and rear wheels.



- 5 Install the top plate onto the **bottom carriage**, if it is not already there.



- 6 Turn the encoder **lock collar** upwards, and tighten the lock collar screw with the 2.5 mm Allen wrench.



Step Three - Install the Screen & Control Box

When you select a stitch length or motor speed on the screen, it is sent to the control box.

Parts & Tools

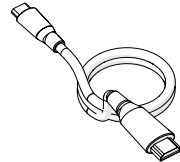
SureStitch Elite
Control Box



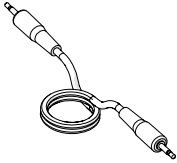
SureStitch Elite
Screen



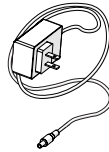
Screen
Cable



Thread Cutter
Cable



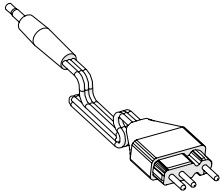
Power
Adapter



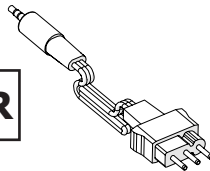
Allen Wrench
2.5 mm



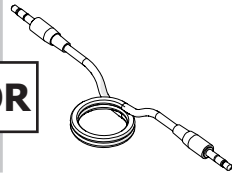
Foot Pedal "A"
Cable



Foot Pedal "B"
Cable



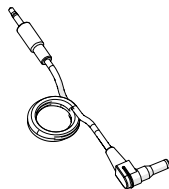
Foot Pedal "C"
Cable



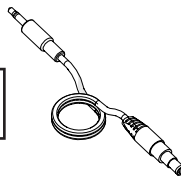
OR

OR

Foot Pedal "D"
Cable



Foot Pedal "E"
Cable

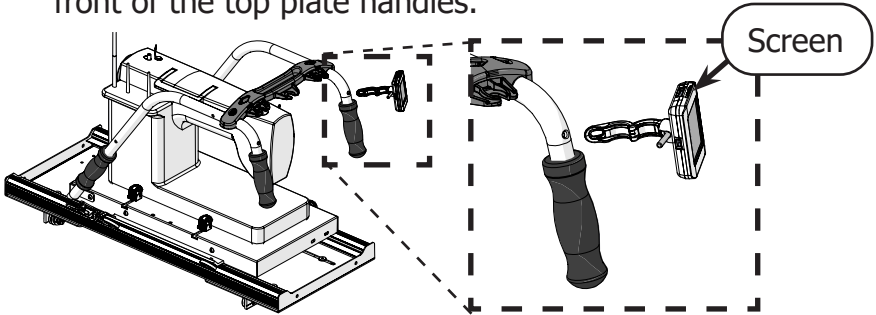


OR

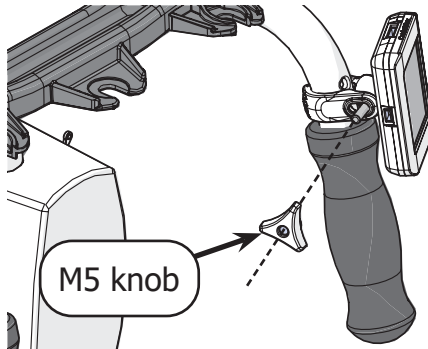
G-Series Carriage & G-Series Top Plate (Continued)

Instructions:

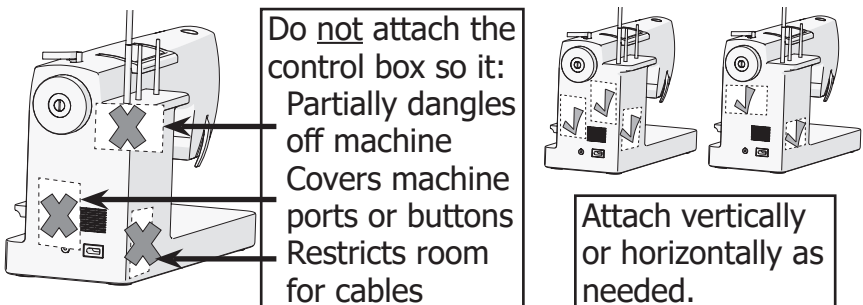
- 1 Open the **display clip** and place the **screen** onto the front of the top plate handles.



- 2 Close the clip around the handlebar. Tighten it in place by screwing on the **M5 knob**.



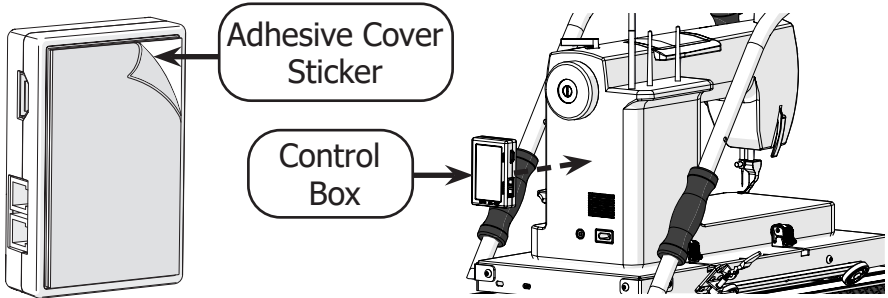
- 3 Test out where to attach the control box to your machine. Ensure there is enough space around each port for cables to be plugged in.



Assembly - SureStitch Elite

G-Series Carriage & G-Series Top Plate (Continued)

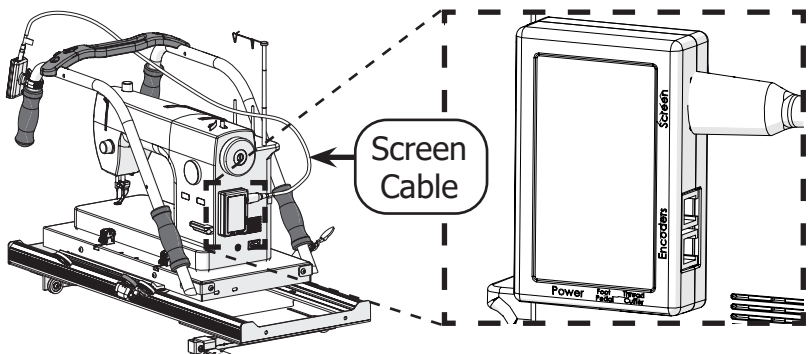
- 4 When you know where to attach the **control box**, remove the **sticker** covering the adhesive side of the velcro. Firmly press the control box onto the machine.



- 5 For your safety, power off and unplug your sewing machine.

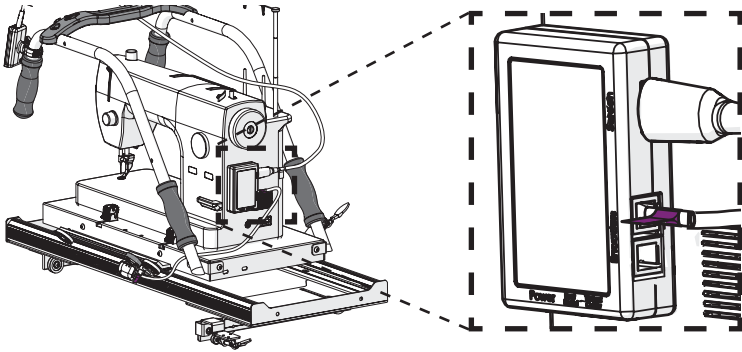


- 6 Plug the **screen cable** into the display and control box.

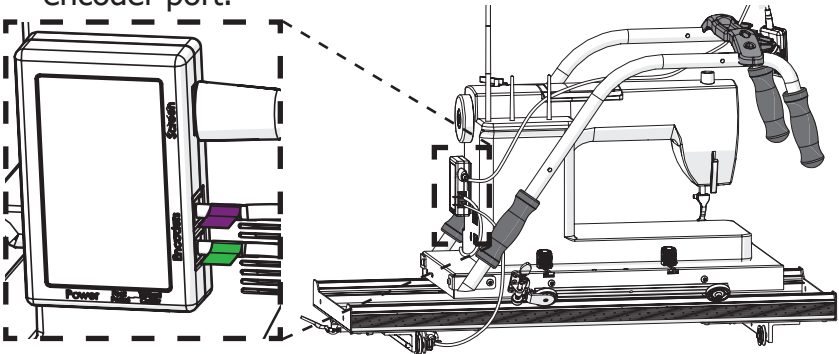


G-Series Carriage & G-Series Top Plate (Continued)

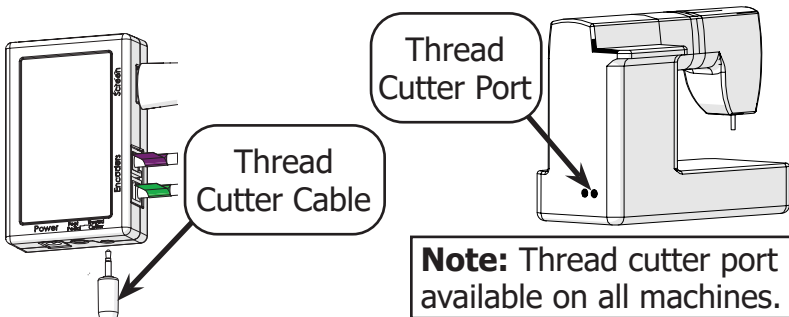
- 7 Plug the encoder with the purple sticker into the purple encoder port.



- 8 Plug the encoder with the green sticker into the green encoder port.



- 9 If your sewing machine has a port for its **thread cutter**, plug SureStitch into this as well with the **thread cutter cable**.

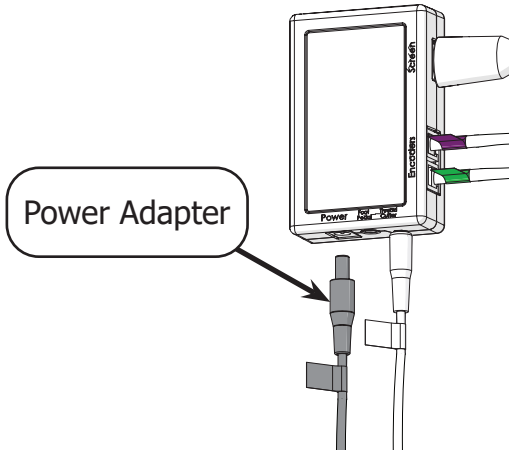


Assembly - SureStitch Elite

G-Series Carriage & G-Series Top Plate (Continued)

- 10 Plug SureStitch into a power outlet with the **power adapter**. SureStitch turns on automatically.

Do not power on your sewing machine at this time.

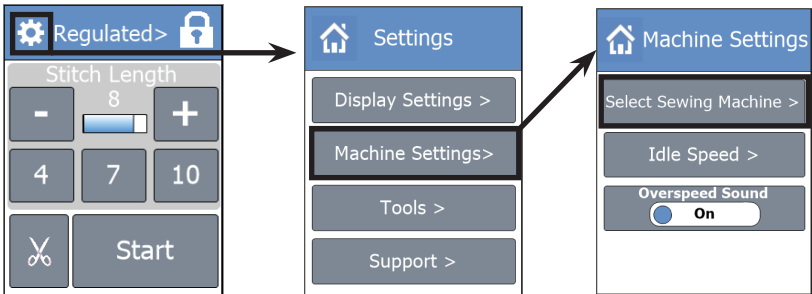


Step Four - Calibrating SureStitch for Your Machine

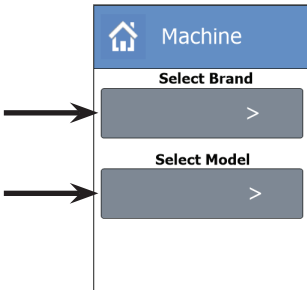
Take the steps below to set up SureStitch to work with your brand and model of sewing machine. Damage to the sewing machine might occur if your machine is connected to SureStitch via the foot pedal port on the control box before SureStitch has been set up to work with your machine.

Warning: Do not plug the machine into the foot pedal port on the control box yet.

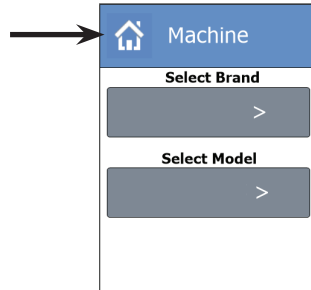
- 1 On the SureStitch screen, press the **Settings** icon and choose **Machine Settings**. The **Machine Settings** menu opens. Press **Select Sewing Machine**.



- 2 Choose the **brand** of your machine and then select the **model**.



- 3 Press the **Home icon** at the top to close the menu.



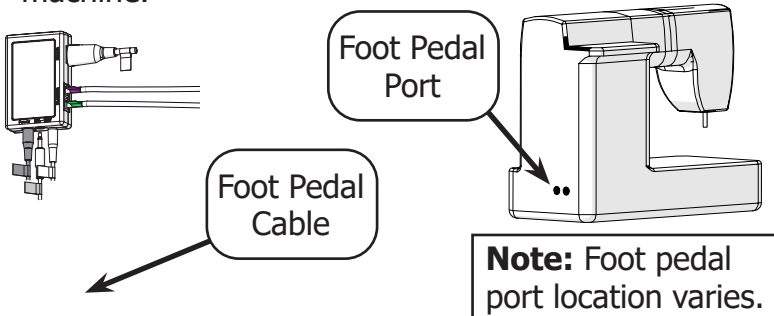
Assembly - SureStitch Elite

G-Series Carriage & G-Series Top Plate (Continued)

- 4 Unplug SureStitch from the power source. Neither SureStitch or your sewing machine should be plugged into a power outlet at this time.



- 5 Plug SureStitch into your **sewing machine's foot pedal port** using the **foot pedal cable** that matches your machine.

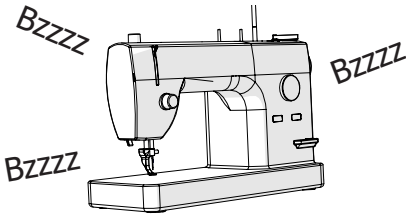


- 6 Now that SureStitch is plugged into the machine, plug both your sewing machine and SureStitch into a power outlet.

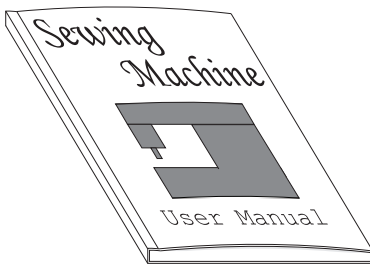
Note: Both the control box and your sewing machine need to be plugged in and powered on for SureStitch to work. Some machines appear to power on when only SureStitch is plugged into a power source, but this does not provide sufficient power. The machine must still be plugged in separately.

G-Series Carriage & G-Series Top Plate (Continued)

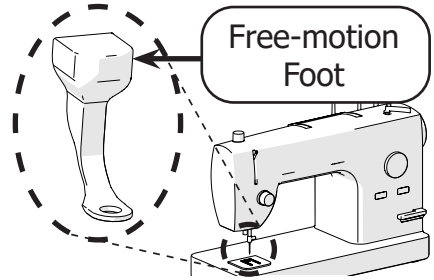
- 7 Turn on your sewing machine. You might hear the motors in your machine engage briefly.



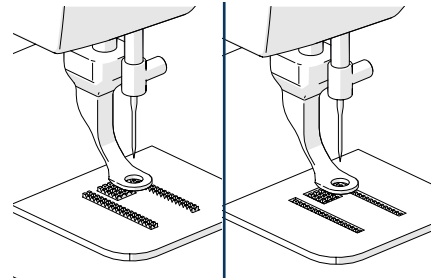
- 8 Check your **sewing machine's user manual** to set your machine to quilting mode. This is not available on all machines, but if it is available it must be used.



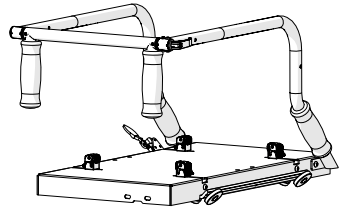
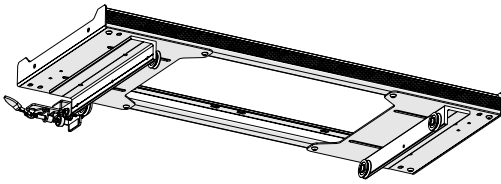
- 9 Swap out the presser foot on your machine for a **free-motion** or **embroidery foot**.



- 10 Lower the feed dogs on your sewing machine so they don't catch on the back of the quilt.



- 11 You're almost ready to get started! Go to page 100 for your final steps.

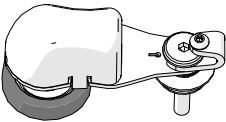


Step One - Installing the Lower Encoder

The lower encoder tracks the movement of the bottom carriage across the frame. This helps SureStitch determine when to move the needle to complete each stitch.

Parts & Tools:

Lower Encoder V5
(green sticker)



Allen Wrench
2.5 mm

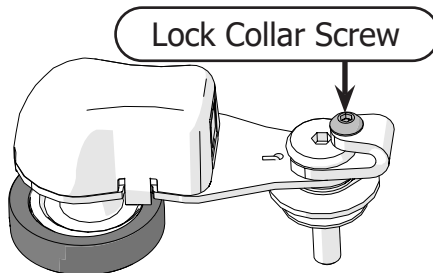


Allen Wrench
4 mm



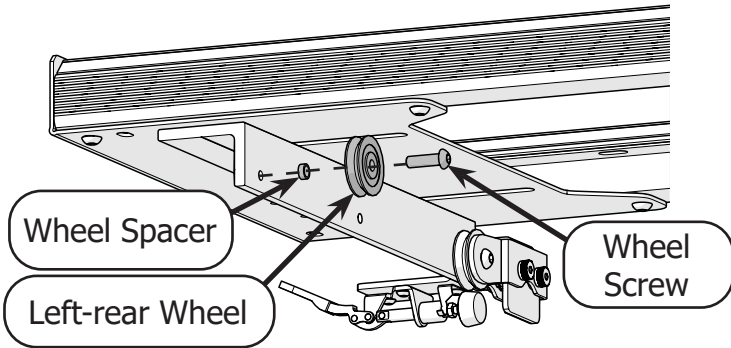
Instructions:

- 1 Use the 2.5 mm Allen wrench to loosen the **encoder lock collar screw** without removing it.

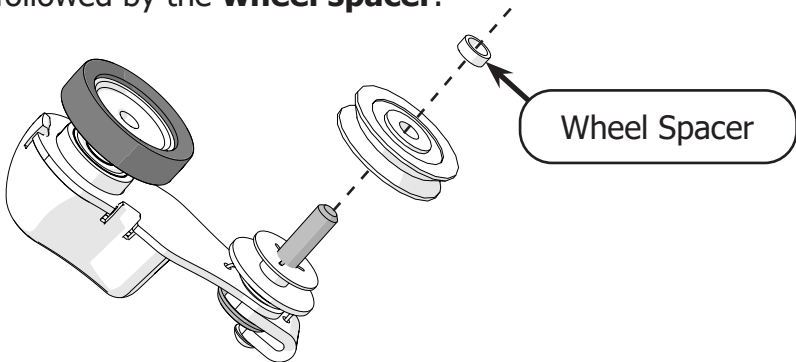


G-Series Carriage & G-Series 2 Top Plate (Continued)

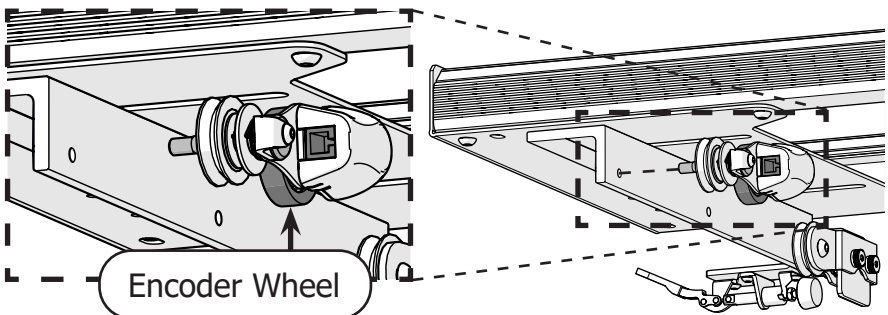
- 2 With the 4 mm Allen wrench, remove the **left-rear wheel**, **spacer**, and **screw** from the carriage.



- 3 Place the bottom carriage wheel onto the encoder screw, followed by the **wheel spacer**.



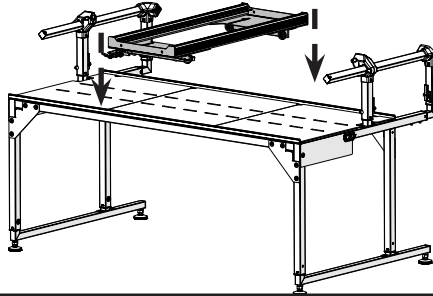
- 4 Screw the encoder and wheel into the carriage with the 4 mm Allen wrench so that the dark **encoder wheel** lays between the two rear wheels.



Assembly - SureStitch Elite

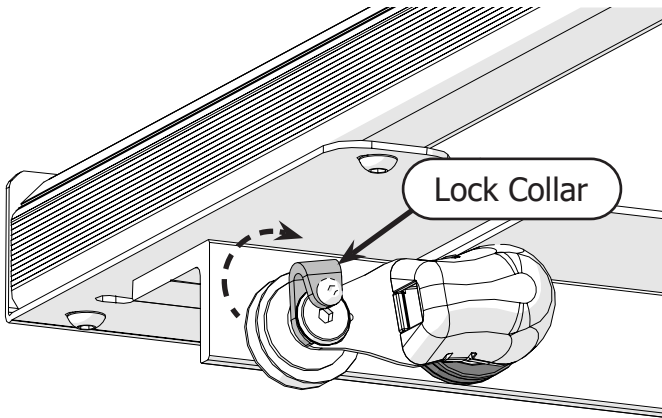
G-Series Carriage & G-Series 2 Top Plate (Continued)

- 5 If the bottom carriage is not already on the frame, place it now.



Note: Frame might differ from type shown.

- 6 Turn the encoder **lock collar** upwards, and tighten the lock collar screw with the 2.5 mm Allen wrench.



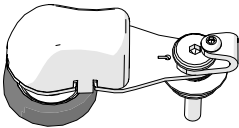
G-Series Carriage & G-Series 2 Top Plate (Continued)

Step Two - Installing the Upper Encoder

The upper encoder tracks the movement of the top plate across the bottom carriage.

Parts & Tools:

Upper Encoder V5
(purple sticker)



Allen Wrench
2.5 mm

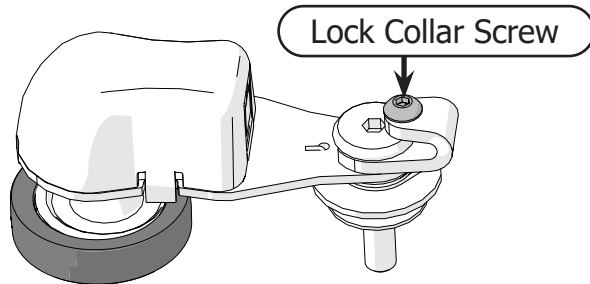


Allen Wrench
4 mm

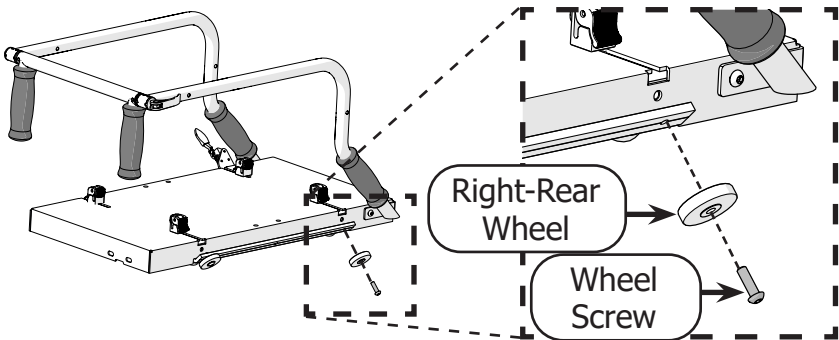


Instructions:

- 1 Use the 2.5 mm Allen wrench to carefully loosen the **encoder lock collar screw**. Do not remove this screw.



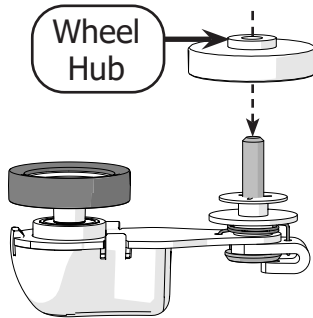
- 2 Remove the **right-rear wheel** and **screw** from the top plate with the 4 mm Allen wrench.



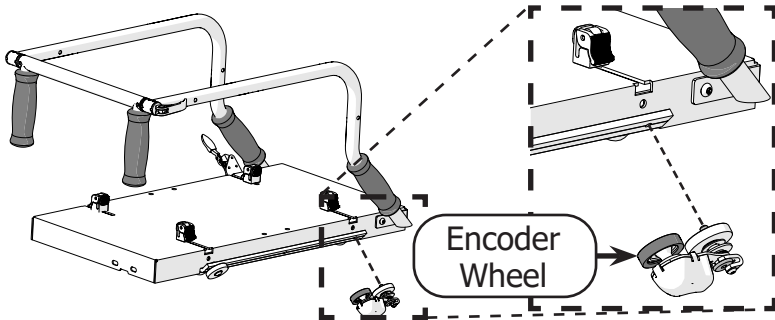
Assembly - SureStitch Elite

G-Series Carriage & G-Series 2 Top Plate (Continued)

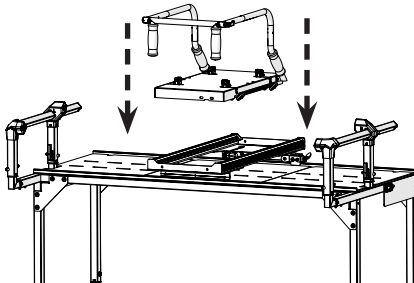
- 3 Place the bottom carriage wheel onto the encoder screw so the **wheel hub** faces away from the encoder.



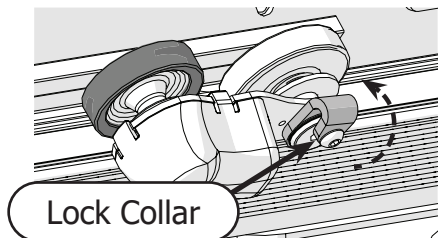
- 4 Install the wheel and encoder onto the top plate. The dark **encoder wheel** should lay between the front and rear wheels.



- 5 Install the top plate onto the **bottom carriage**, if it is not already there.



- 6 Turn the encoder **lock collar** upwards, and tighten the lock collar screw with the 2.5 mm Allen wrench.



G-Series Carriage & G-Series 2 Top Plate (Continued)

Step Three - Install the Screen & Control Box

When you select a stitch length or motor speed on the screen, it is sent to the control box.

Parts & Tools

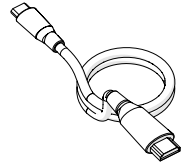
SureStitch Elite
Control Box



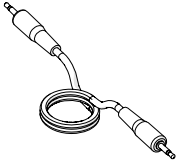
SureStitch Elite
Screen



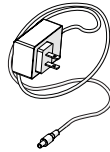
Screen
Cable



Thread Cutter
Cable



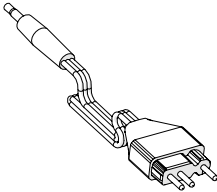
Power
Adapter



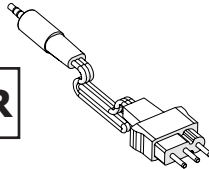
Allen Wrench
2.5 mm



Foot Pedal "A"
Cable

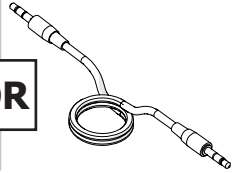


Foot Pedal "B"
Cable



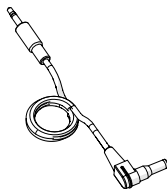
OR

Foot Pedal "C"
Cable



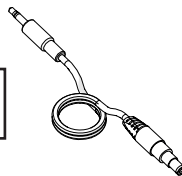
OR

Foot Pedal "D"
Cable



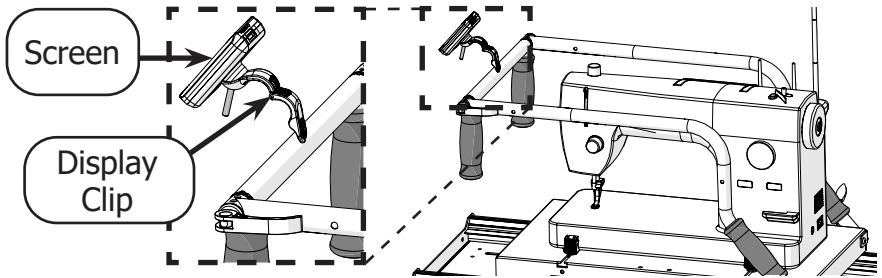
Foot Pedal "E"
Cable

OR

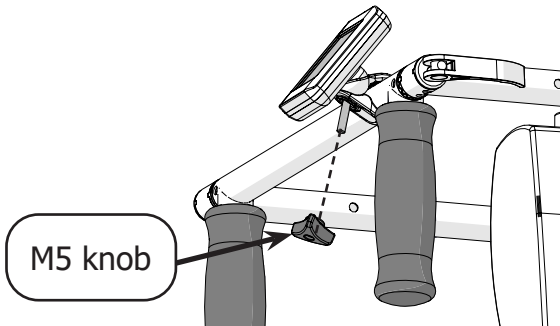


Instructions:

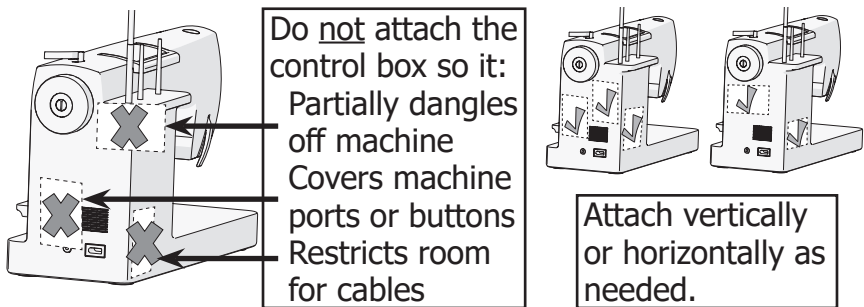
- 1 Open the **display clip** and place the **screen** onto the front of the top plate handles.



- 2 Close the clip around the handlebar. Tighten it in place by screwing on the **M5 knob**.



- 3 Test out where to attach the control box to your machine. Ensure there is enough space around each port for cables to be plugged in.



G-Series Carriage & G-Series 2 Top Plate (Continued)

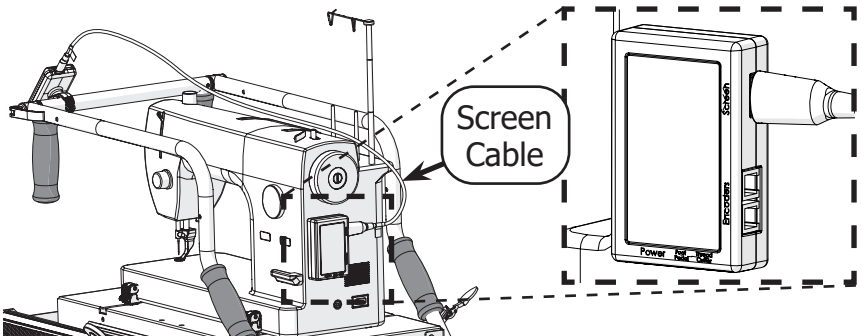
- 4 When you know where to attach the **control box**, remove the **sticker** covering the adhesive side of the velcro. Firmly press the control box onto the machine.



- 5 For your safety, power off and unplug your sewing machine.



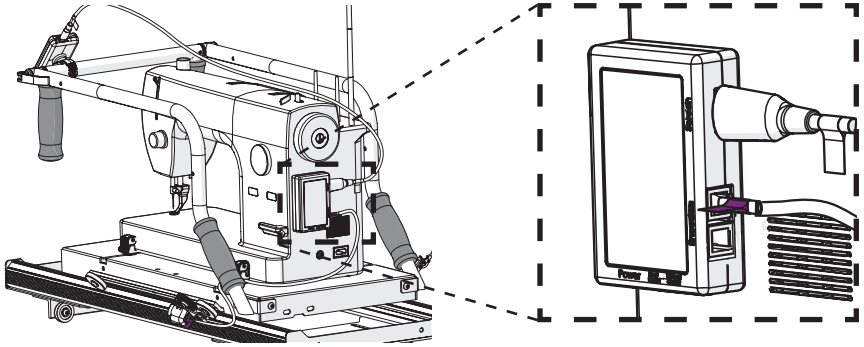
- 6 Plug the **screen cable** into the display and control box.



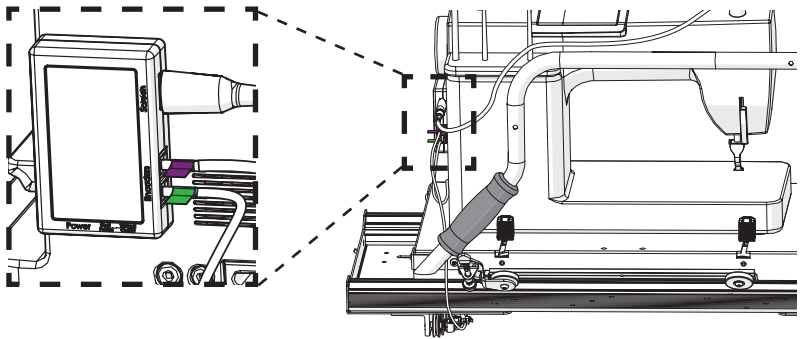
Assembly - SureStitch Elite

G-Series Carriage & G-Series 2 Top Plate (Continued)

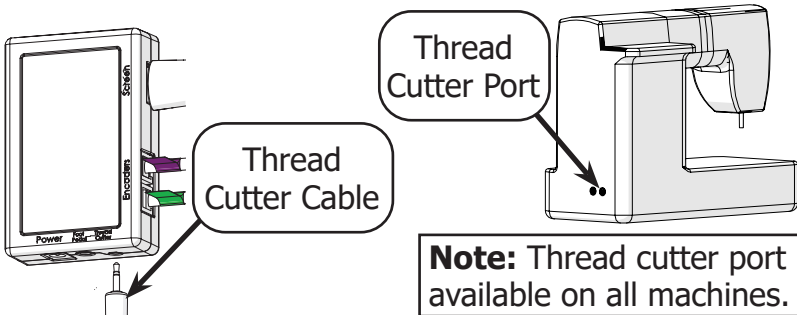
- 7 Plug the encoder with the purple sticker into the purple encoder port.



- 8 Plug the encoder with the green sticker into the green encoder port.



- 9 If your sewing machine has a port for its **thread cutter**, plug SureStitch into this as well with the **thread cutter cable**.

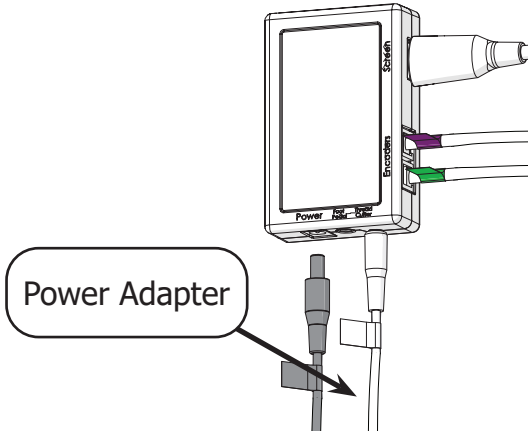


Note: Thread cutter port not available on all machines.

G-Series Carriage & G-Series 2 Top Plate (Continued)

- 10 Plug SureStitch into a power outlet with the **power adapter**. SureStitch turns on automatically.

Do not power on your sewing machine at this time.

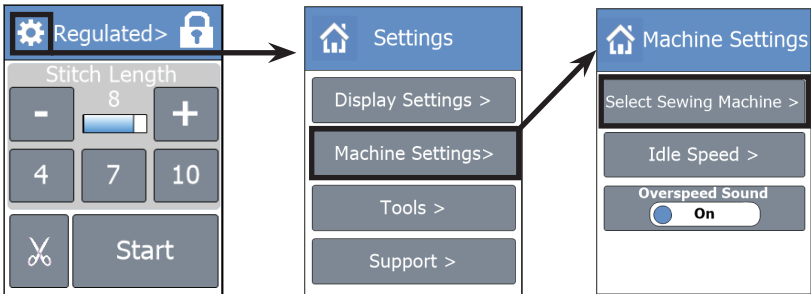


Step Four - Calibrating SureStitch for Your Machine

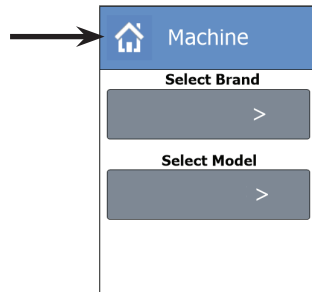
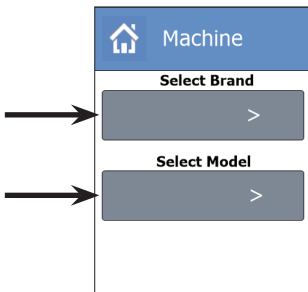
Take the steps below to set up SureStitch to work with your brand and model of sewing machine. Damage to the sewing machine might occur if your machine is connected to SureStitch via the foot pedal port on the control box before SureStitch has been set up to work with your machine.

Warning: Do not plug the machine into the foot pedal port on the control box yet.

- 1 On the SureStitch screen, press the **Settings** icon and choose **Machine Settings**. The **Machine Settings** menu opens. Press **Select Sewing Machine**.



- 2 Choose the **brand** of your machine and then select the **model**.
- 3 Press the **Home icon** at the top to close the menu.

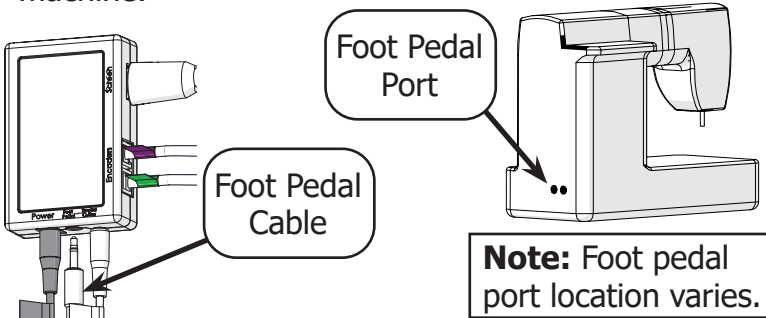


G-Series Carriage & G-Series 2 Top Plate (Continued)

- 4 Unplug SureStitch from the power source. Neither SureStitch or your sewing machine should be plugged into a power outlet at this time.



- 5 Plug SureStitch into your **sewing machine's foot pedal port** using the **foot pedal cable** that matches your machine.



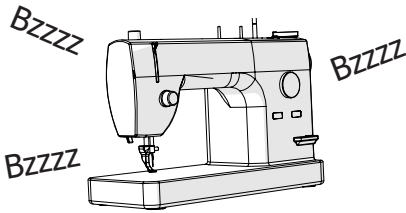
- 6 Now that SureStitch is plugged into the machine, plug both your sewing machine and SureStitch into a power outlet.

Note: Both the control box and your sewing machine need to be plugged in and powered on for SureStitch to work. Some machines appear to power on when only SureStitch is plugged into a power source, but this does not provide sufficient power. The machine must still be plugged in separately.

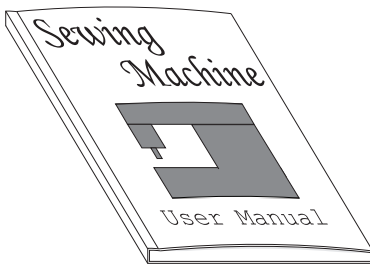
Assembly - SureStitch Elite

G-Series Carriage & G-Series 2 Top Plate (Continued)

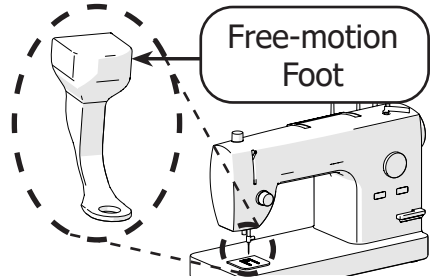
- 7 Turn on your sewing machine. You might hear the motors in your machine engage briefly.



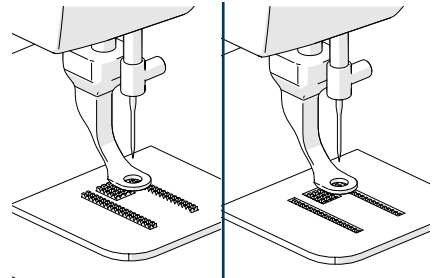
- 8 Check your **sewing machine's user manual** to set your machine to quilting mode. This is not available on all machines, but if it is available it must be used.



- 9 Swap out the presser foot on your machine for a **free-motion** or **embroidery foot**.

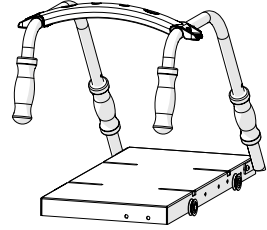
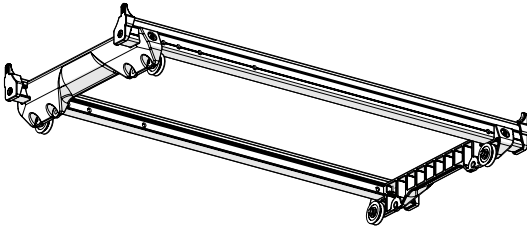


- 10 Lower the feed dogs on your sewing machine so they don't catch on the back of the quilt.



- 11 You're almost ready to get started! Go to page 100 for your final steps.

Pro Carriage & Pro Top Plate

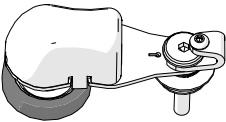


Step One - Installing the Lower Encoder

The lower encoder tracks the movement of the bottom carriage across the frame. This helps SureStitch determine when to move the needle to complete each stitch.

Parts & Tools:

Lower Encoder V5
(green sticker)



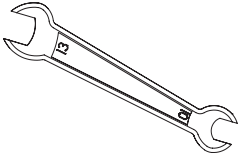
Allen Wrench
2.5 mm



Allen Wrench
4 mm

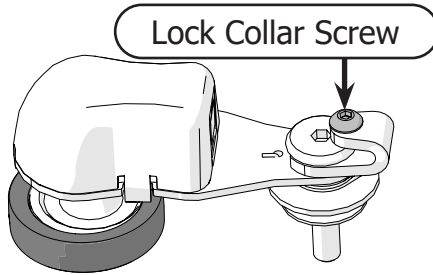


Box-End Wrench
10 mm & 13 mm

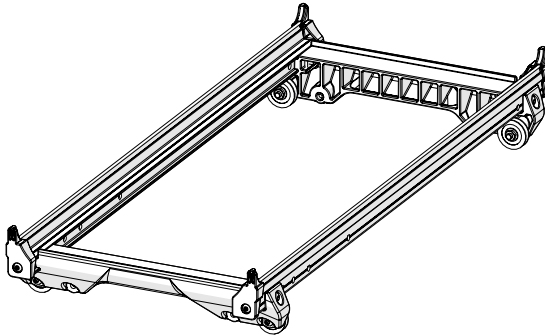


Instructions:

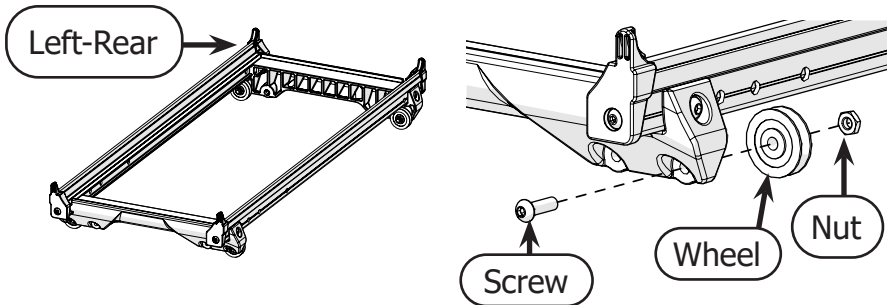
- 1 Use the 2.5 mm Allen wrench to loosen the **encoder lock collar screw** without removing it.



- 2 Choose a side of the bottom carriage to be the front and a side to be the back.

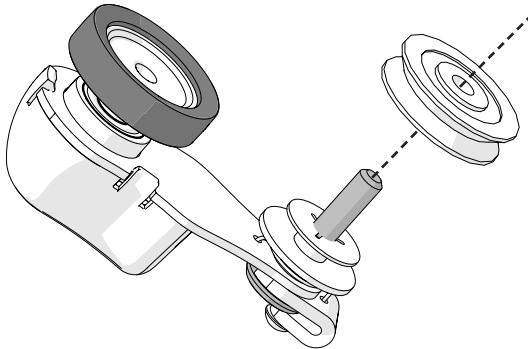


- 3 With the 4 mm Allen wrench and 10 mm open-end wrench, remove the **left-rear wheel, screw, and nut** from the bottom carriage.

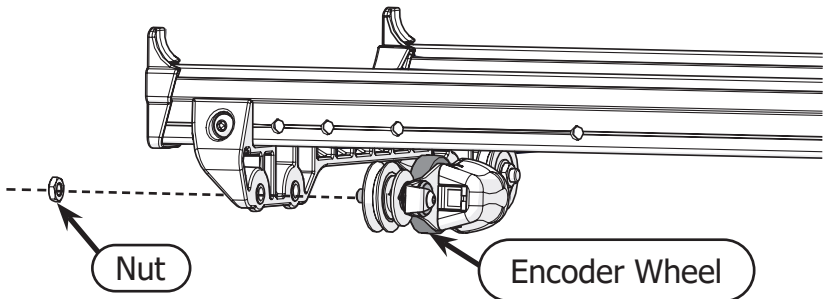


Pro Carriage & Pro Top Plate (Continued)

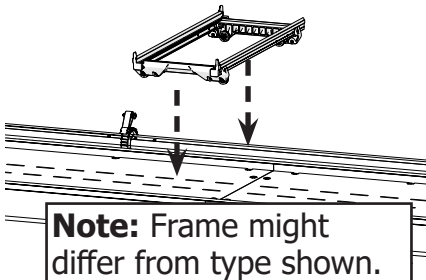
- 4 Place the bottom carriage wheel onto the encoder screw.



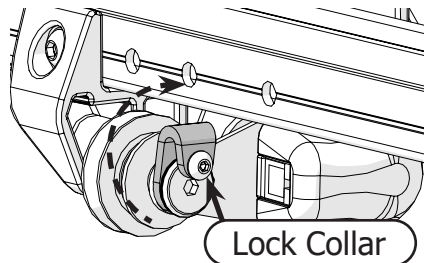
- 5 Screw the encoder into the carriage with the 4 mm Allen wrench, **nut**, and 10 mm wrench. The dark **encoder wheel** should lay between the two rear wheels.



- 6 If the bottom carriage is not already on the frame, place it there now.



- 7 Turn the lock collar upward and tighten the lock collar screw with the 2.5 mm Allen wrench.

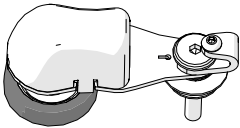


Step Two - Installing the Upper Encoder

The upper encoder tracks the movement of the top plate across the bottom carriage.

Parts & Tools:

Upper Encoder V5
(purple sticker)



Allen Wrench
2.5 mm

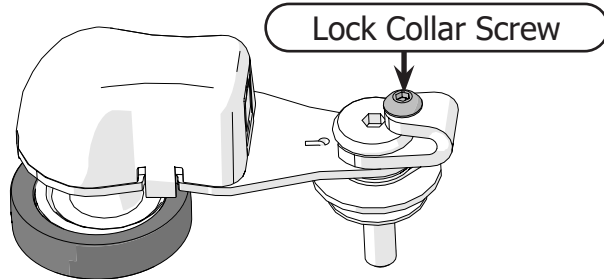


Allen Wrench
4 mm

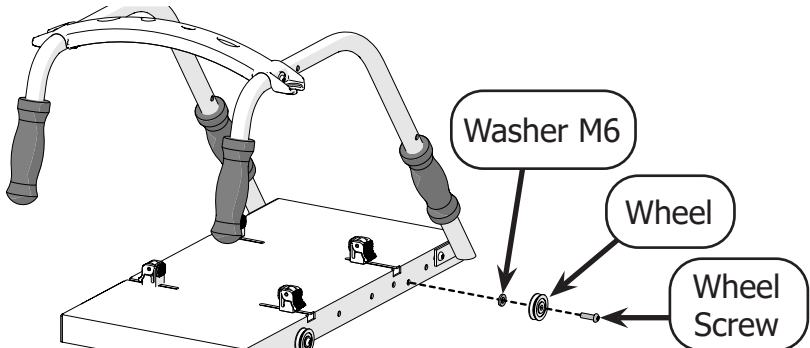


Instructions:

- 1 Use the 2.5 mm Allen wrench to carefully loosen the **encoder lock collar screw**. Do not remove this screw.

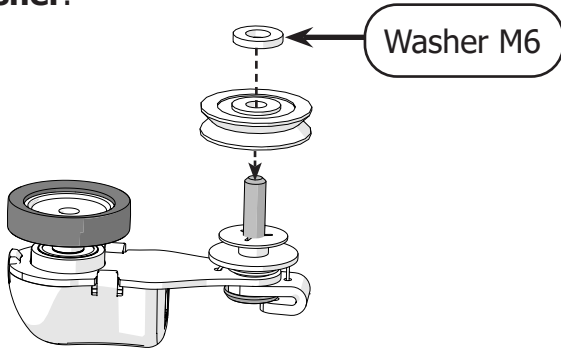


- 2 Remove the **right-rear wheel, M6 washer, and screw** from the top plate with the 4 mm Allen wrench.

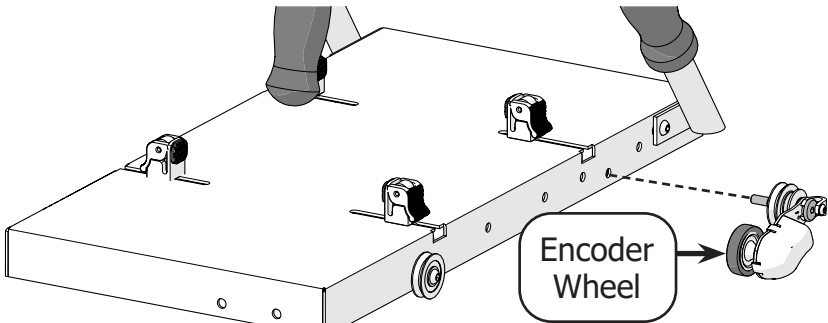


Pro Carriage & Pro Top Plate (Continued)

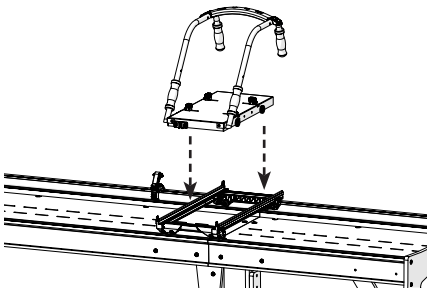
- 3 Place the top plate wheel onto the encoder, followed by the **M6 washer**.



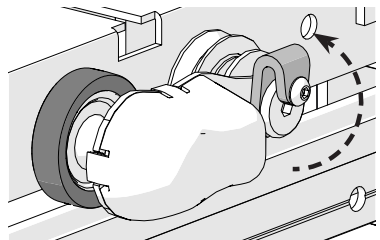
- 4 Install the wheel and encoder onto the top plate. The dark **encoder wheel** should lay between the front and rear wheels.



- 5 Install the top plate onto the **bottom carriage**, if it is not already done.



- 6 Turn the encoder lock collar upwards, and tighten the lock collar screw with the 2.5 mm Allen wrench.



Assembly - SureStitch Elite

Pro Carriage & Pro Top Plate (Continued)

Step Three - Install the Screen & Control Box

When you select a stitch length or motor speed on the screen, it is sent to the control box.

Parts & Tools

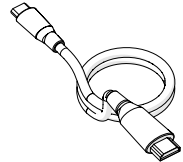
SureStitch Elite
Control Box



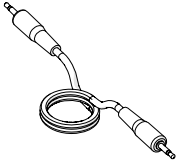
SureStitch Elite
Screen



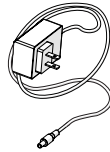
Screen
Cable



Thread Cutter
Cable



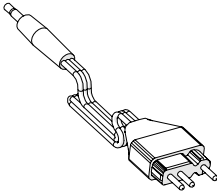
Power
Adapter



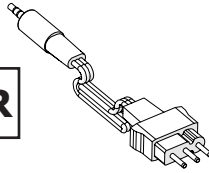
Allen Wrench
2.5 mm



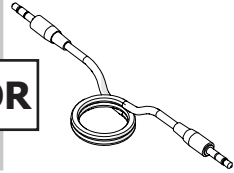
Foot Pedal "A"
Cable



Foot Pedal "B"
Cable



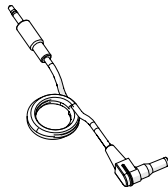
Foot Pedal "C"
Cable



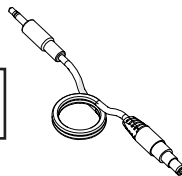
OR

OR

Foot Pedal "D"
Cable



Foot Pedal "E"
Cable

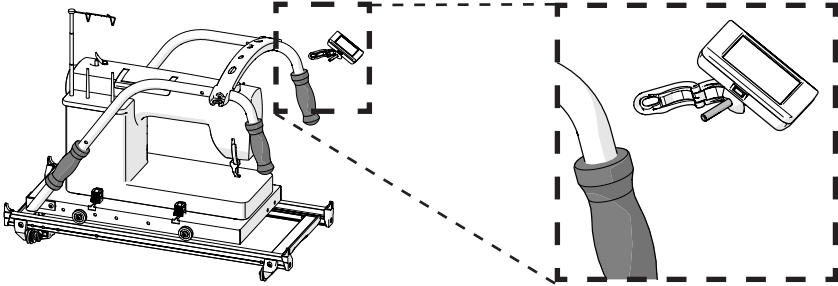


OR

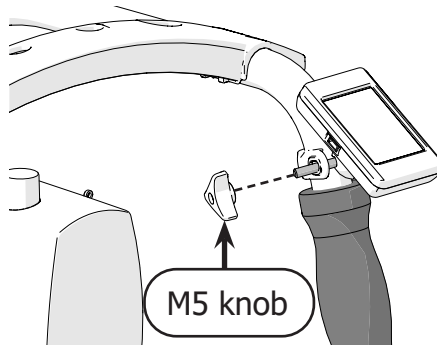
Pro Carriage & Pro Top Plate (Continued)

Instructions:

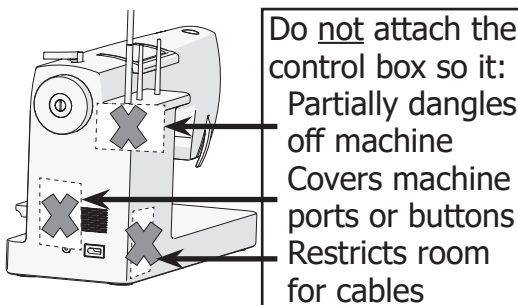
- 1 Open the **display clip** and place the **display** onto the front of the top plate handles.



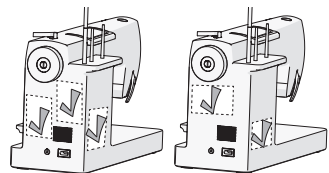
- 2 Close the clip around the handlebar. Tighten it in place by screwing on the **M5 knob**.



- 3 Test out where to attach the control box to your machine. Ensure there is enough space around each port for cables to be plugged in.



Do not attach the control box so it:
 Partially dangles off machine
 Covers machine ports or buttons
 Restricts room for cables

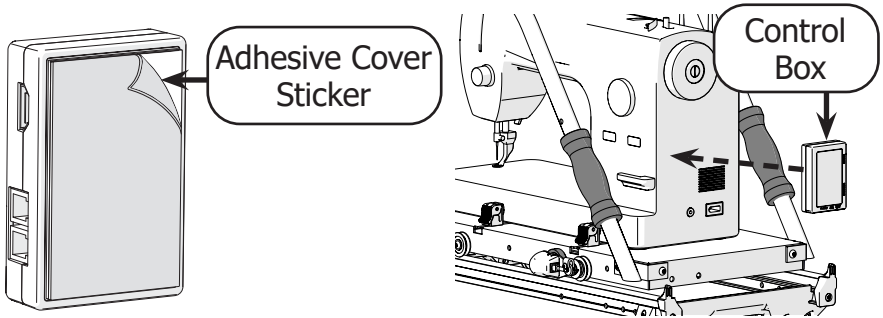


Attach vertically or horizontally as needed.

Assembly - SureStitch Elite

Pro Carriage & Pro Top Plate (Continued)

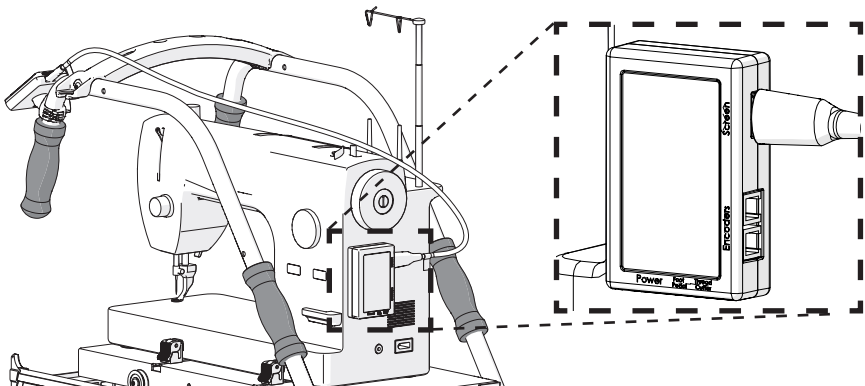
- 4 When you know where to attach the **control box**, remove the **sticker** covering the adhesive side of the velcro. Firmly press the control box onto the machine.



- 5 For your safety, power off and unplug your sewing machine.

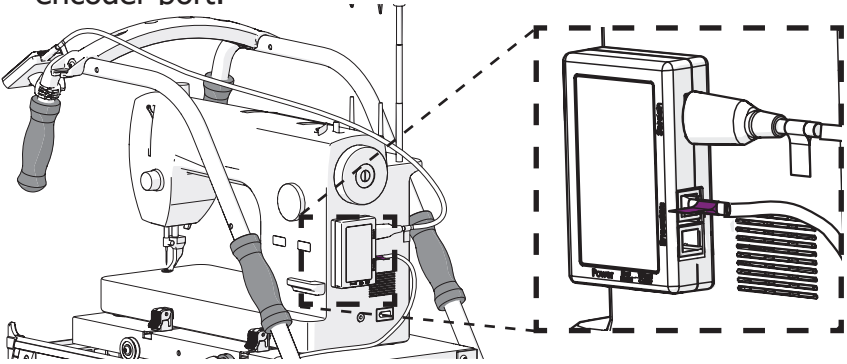


- 6 Plug the screen cable into the display and control box.

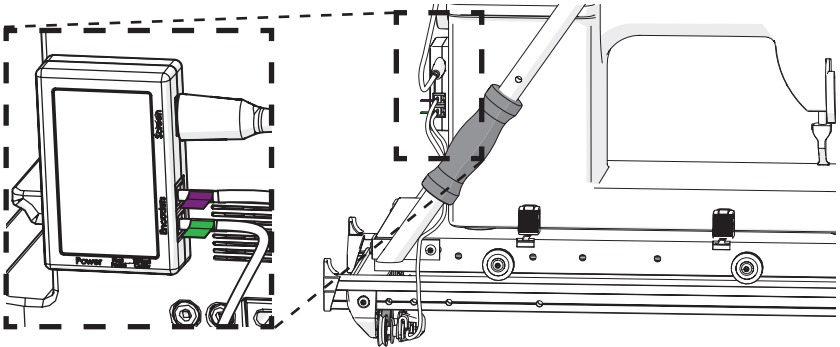


Pro Carriage & Pro Top Plate (Continued)

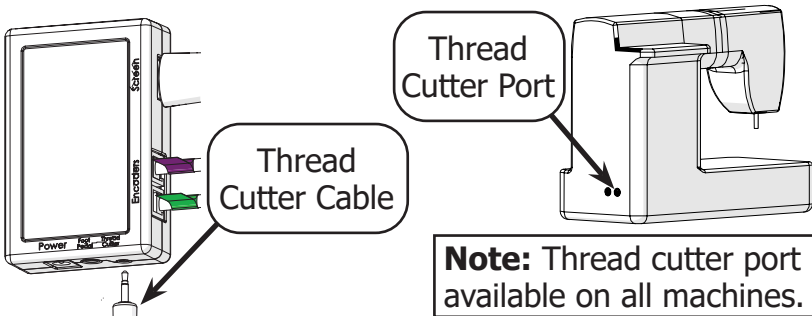
- 7 Plug the encoder with the purple sticker into the purple encoder port.



- 8 Plug the encoder with the green sticker into the green encoder port.



- 9 If your sewing machine has a port for its **thread cutter**, plug SureStitch into this as well with the **thread cutter cable**.



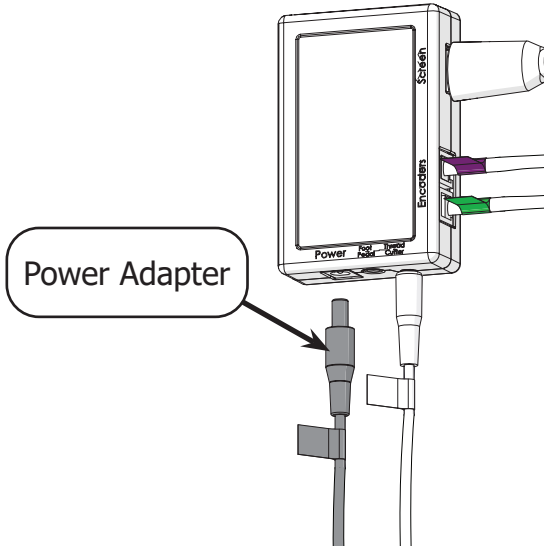
Note: Thread cutter port not available on all machines.

Assembly - SureStitch Elite

Pro Carriage & Pro Top Plate (Continued)

- 10 Plug SureStitch into a power outlet with the **power adapter**. SureStitch turns on automatically.

Do not power on your sewing machine at this time.

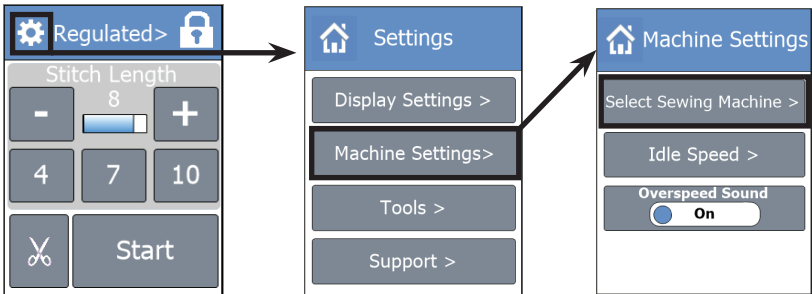


Step Four - Calibrating SureStitch for Your Machine

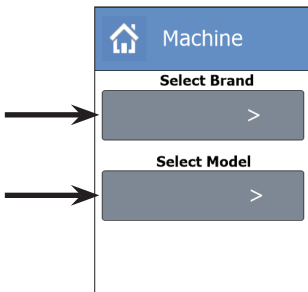
Take the steps below to set up SureStitch to work with your brand and model of sewing machine. Damage to the sewing machine might occur if your machine is connected to SureStitch via the foot pedal port on the control box before SureStitch has been set up to work with your machine.

Warning: Do not plug the machine into the foot pedal port on the control box yet.

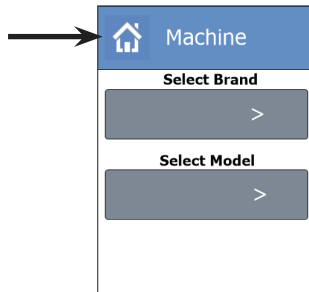
- 1 On the SureStitch screen, press the **Settings** icon and choose **Machine Settings**. The **Machine Settings** menu opens. Press **Select Sewing Machine**.



- 2 Choose the **brand** of your machine and then select the **model**.



- 3 Press the **Home icon** at the top to close the menu.



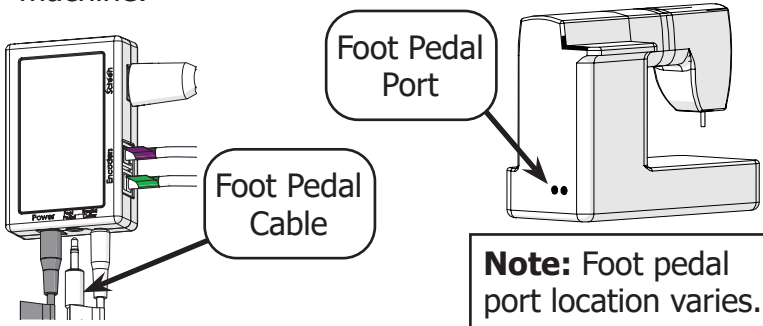
Assembly - SureStitch Elite

Pro Carriage & Pro Top Plate (Continued)

- 4 Unplug SureStitch from the power source. Neither SureStitch or your sewing machine should be plugged into a power outlet at this time.



- 5 Plug SureStitch into your **sewing machine's foot pedal port** using the **foot pedal cable** that matches your machine.

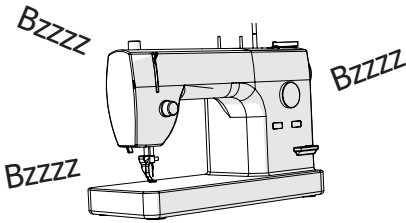


- 6 Now that SureStitch is plugged into the machine, plug both your sewing machine and SureStitch into a power outlet.

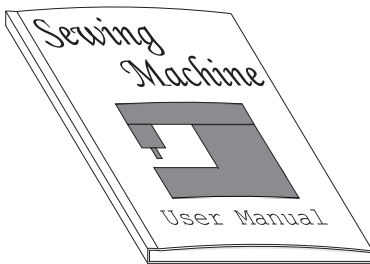
Note: Both the control box and your sewing machine need to be plugged in and powered on for SureStitch to work. Some machines appear to power on when only SureStitch is plugged into a power source, but this does not provide sufficient power. The machine must still be plugged in separately.

Pro Carriage & Pro Top Plate (Continued)

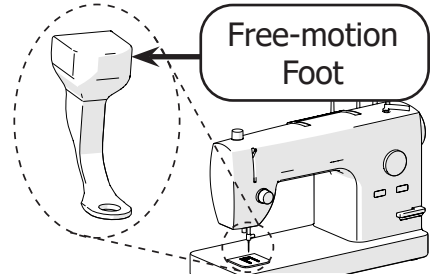
- 7 Turn on your sewing machine. You might hear the motors in your machine engage briefly.



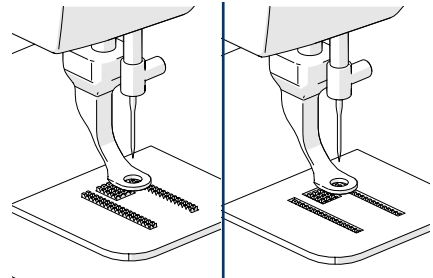
- 8 Check your **sewing machine's user manual** to set your machine to quilting mode. This is not available on all machines, but if it is available it must be used.



- 9 Swap out the presser foot on your machine for a **free-motion** or **embroidery foot**.



- 10 Lower the feed dogs on your sewing machine so they don't catch on the back of the quilt.



- 11 You're almost ready to get started! Go to page 100 for your final steps.

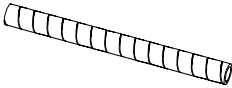
Assembly - SureStitch Elite

Managing the Cables

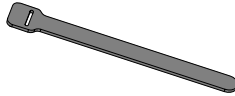
Cables can get caught on the carriages or frame, causing mistakes and interruptions. Try these tips to help.

Parts & Tools

Quilt Motion Cable
Wrap



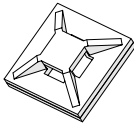
Velcro
Straps



Zip Tie
(x4)

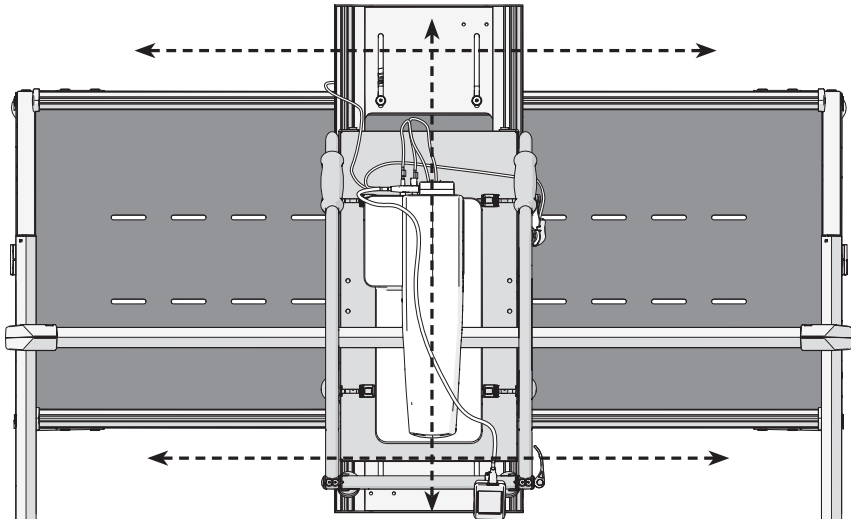


Zip Tie
Mount (x2)



Instructions:

- 1 Sweep your top plate across the frame in every direction. Watch the cables for any catching or tugging.

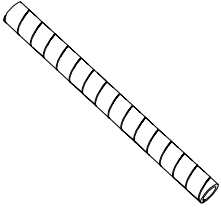


Note: Frame, machine, and top plate appearance might vary.

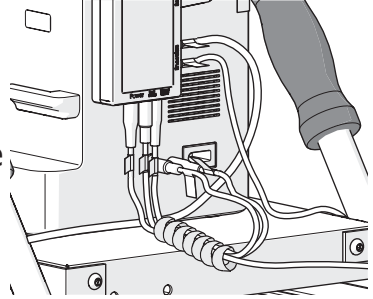
Managing the Cables (Continued)

- 2 Your kit comes with the following parts to assist with cable management:

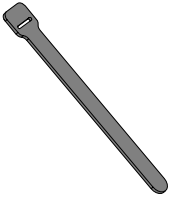
Quilt Motion Cable Wrap



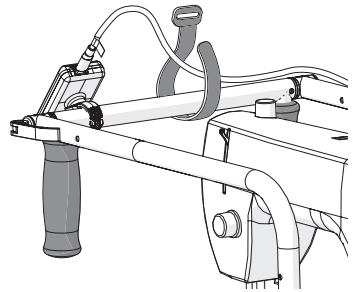
Wrap multiple cables together so you only have a single strand of cables to deal with.



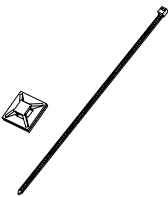
Velcro Straps



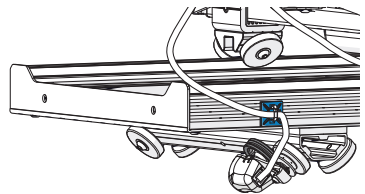
Keep bundles of cables from unraveling, or to attach cables to handles or bars.



Zip Tie Mounts

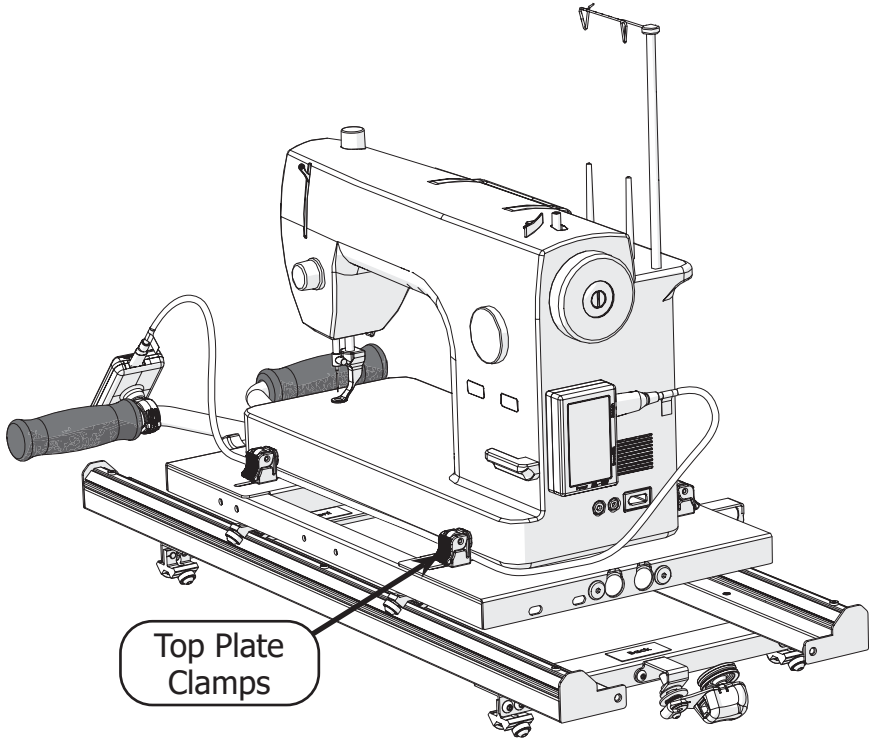


Press the adhesive zip tie mount to a flat surface and use the zip tie to anchor cables in place.



Tip: Use a piece of masking tape to test where to place your zip tie mounts. Use the tape to hold the cables in place, and then check the movement of the top plate again.

Tip: Cables can also be tucked between the machine and the **clamps** on the top plate.



- 3 When finished, test the movement of your top plate again. Make sure that the cables do not catch on anything, and that they do not restrict the movement available for your machine.

Grace
COMPANY

www.graceframe.com

1-801-485-6688