

Care of Your Lap Hoop™

The Lap Base piece and "S" Brackets may be sealed and/or stained with an application of tung oil which will help preserve the wood and will help to prevent warping. To add a certain color to your frame, you may use a Danish Oil. We recommend the Dett™ or Watco™ brands. For a smoother finish, we also recommend using a very fine grit sand paper (wet/dry sandpaper) to rub in your first coat. Test stain on an inconspicuous place. Many different finishes and/or stains may be suitable for sealing and beautifying your *GraceFrame™*. You may want to consult your local paint retailer for finishes which will apply easily and dry hard, not oily.

GraceFrame™ Lifetime Limited Warranty

We will replace any part that fails to work for any reason other than loss or intentional damage by the purchaser. This simply means that "if it breaks, we will fix it." The faulty part must be returned to The Grace Company, freight prepaid, and we will repair or replace it at our discretion. Your Grace Lap Hoop will be warranted as long as GraceWood, Inc. is still operating as a business (hopefully forever).

For correspondence concerning your *LapHoop™*, write to:

The Grace Company
P.O. Box 27823
Salt Lake City, UT 84127

For shipping of materials to the Grace Co. address package (postage prepaid) to:

The Grace Company
801 West Layton Ave.
Salt Lake City, UT 84104

For technical support, call (801)972-5801. All calls will be returned.

Please send us your comments or suggestions to the following:

FAX: (801)-908-8888
E-Mail: info@graceframe.com
<http://www.graceframe.com>

About the Grace Quilting Frame

Grace Quilting Systems have been developed over the past decade with several original design innovations. Due to feedback from many of the thousands of quilters who have purchased and do use our products, we have been able to make products that will truly enhance the entire process of hand quilting from beginning to end. If you have any suggestions that will help us to improve our product or service, please write to The Grace Company. ***Thank You and Happy Quilting!***

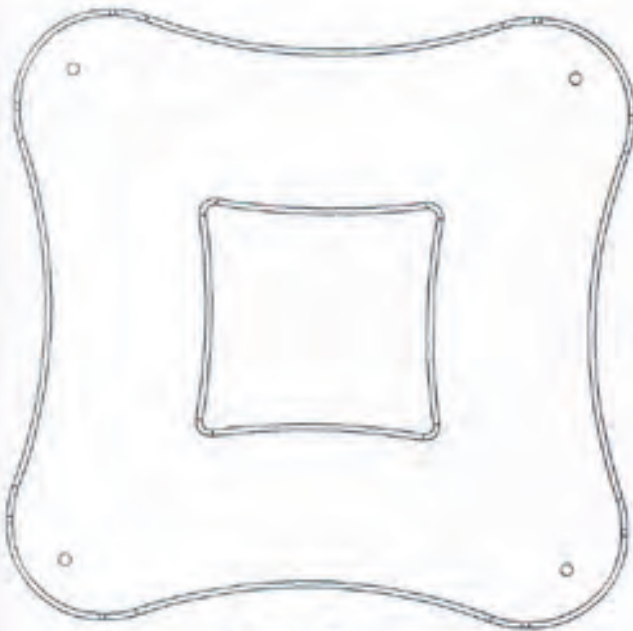
Lap Hoop Parts List



1-Inner Hoop



1-Outer Hoop



1-Lap Base



4-Edge Tool Halves



11-3/16" Flat Washer



4-5/8" Screw



8-7/8" Screw



1-1/4" Hex Nut



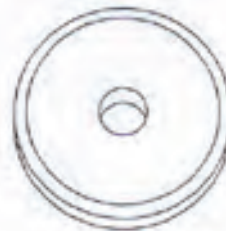
4-1/4" X 1"
Thumb Screw



4-#8 X 1"
Thumb Screw



1-1/4" X 4" Carriage Bolt



1- Knurled
Finger Nut



4-C Brackets

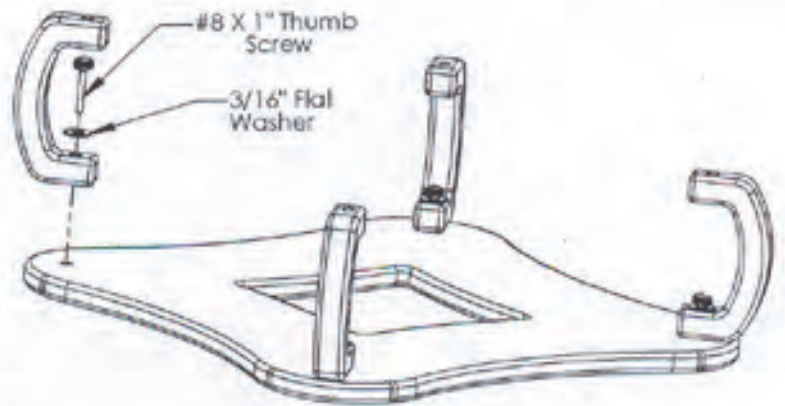
Lap Hoop Instructions

Step 1: Brackets to Base Assembly

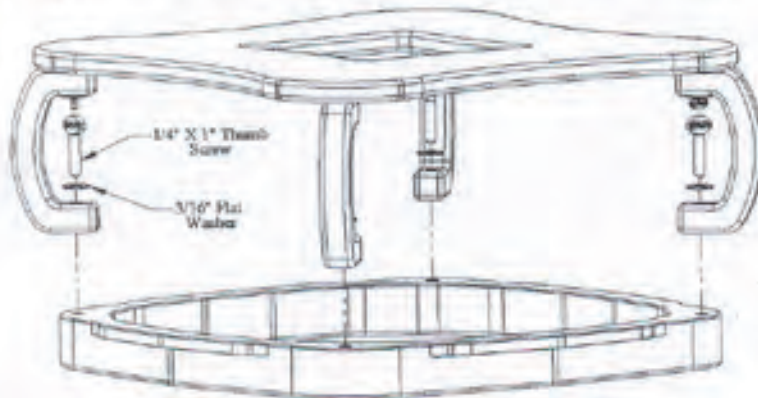
Parts Needed: 1 – Base Plate
4 – “S” Brackets
4 – 3/16” Washers
4 – 1/4” x 1” Thumb Screws

Place the “S” Bracket into the pocket in the corner of the Base Plate.

Attach the “S” Bracket to the Base Plate by threading a Thumb Screw with Washer into the hole of the reversible the Bracket. Continue threading until it goes into the insert in the Base Plate. Firmly finger tighten the Thumb Screw.



Step 2: Inner Hoop to Brackets Assembly



Parts Needed: 1 – Inner Hoop
4 – 3/16” Washers
4 – 1/4” x 1” Thumb Screws

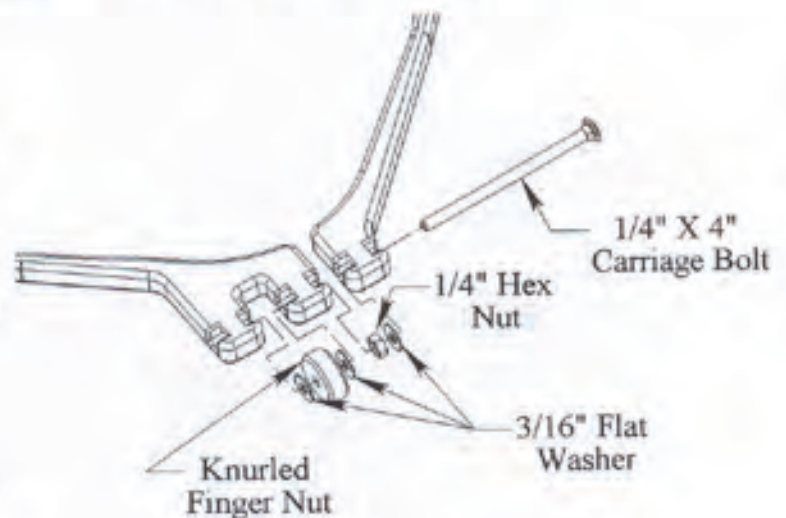
Connect the inner hoop to the “S” Brackets using a Thumb Screw and Washer. The Thumb Screws threads into the gold insert in the corner of the Inner Hoop. Firmly finger tighten the Thumb Screw.

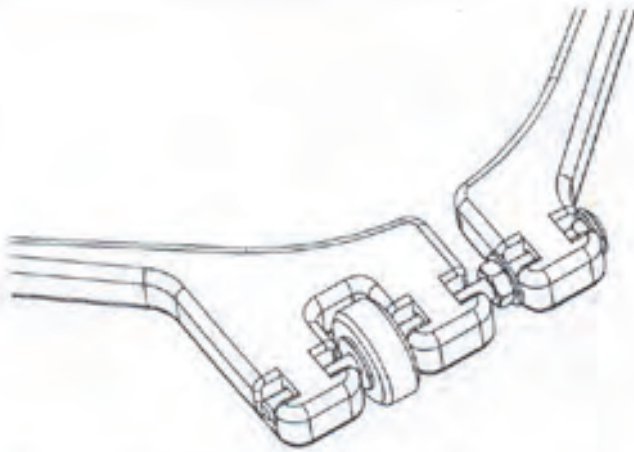
Step 3: Outer Hoop Assembly

Parts Needed: 1 – Outer Hoop
1 – 1/4” x 5” Carriage Bolt
3 – 3/16” Washers
1 – 1/4” Hex Nut

This assembly will make tension control on the outer hoop possible. First, position the outer hoop exactly as pictured.

Insert the 1/4” x 4” Carriage Bolt into the hole, coming from the left, so that it barely protrudes into the first opening. Next, in the first opening, place a 1/4” small Flat Washer and a 1/4” Hex Nut onto the bolt.





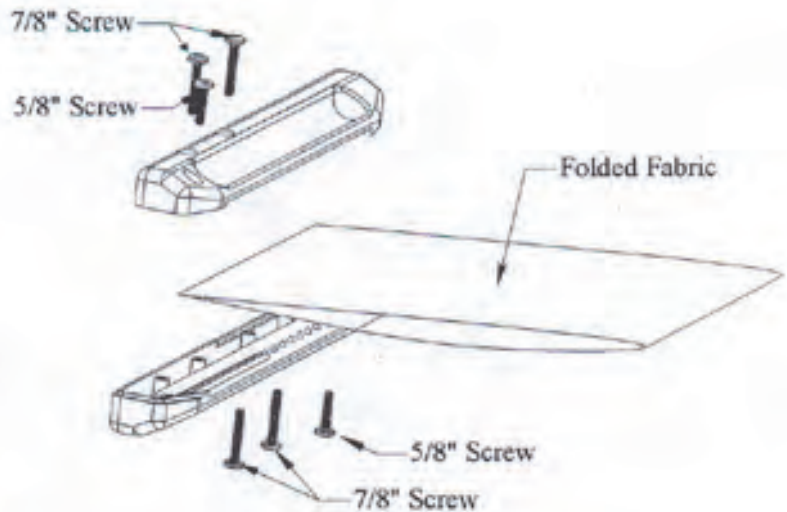
Continue threading until completely tightened. Now push the bolt into the second opening and place another 1/4" washer onto it, followed by the Knurled Finger Nut and another 1/4" washer.

Now, loosen the tension of the outer hoop by turning the Finger Nut. Fit it over the Inside Hoop, resting it on the lip of the Inner Hoop.

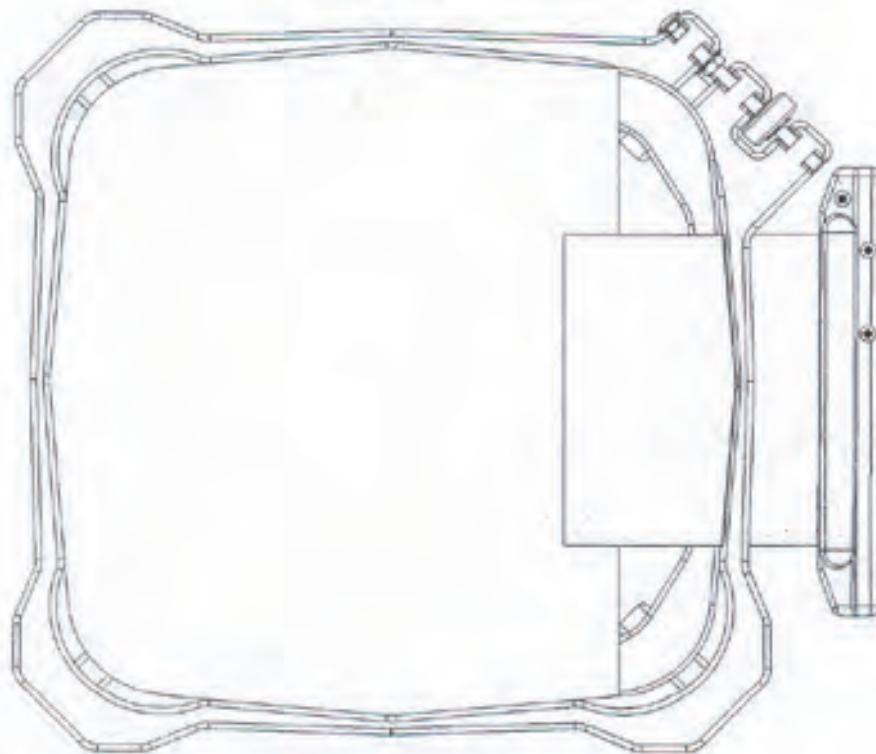
Step 4: EdgeTool Assembly

Parts Needed: 8-7/8" Screws
 4-5/8" Screws
 4-EdgeTool Halves
 2-6 1/2" x 6" Cloth Sleeves (Muslin preferred--Not Included)

First make the cloth sleeve by folding a 13" x 6" piece of muslin in half long ways (to make a 6 1/2" x 6" piece). Place to two edges in between the EdgeTool™ Reversible Parts. Insert the two 7/8" screws into the two inner holes. Insert the two 5/8" screws in the two outside holes.



Edge Tool In Use



Installing Fabric and Use of the Grace LapHoop™

Following the diagram, remove the Outside Hoop and drape your basted quilt over the Inside Hoop. Position the quilt so the desired work area is centered in the hoop. Place the Outside hoop over the Inside Hoop, one corner at-a-time, until it rests completely on the lip on the Inside Hoop.

Applying the Outside Hoop will evenly pull the fabric top-to-bottom, and side-to-side. If greater tension is desired, simply tug on the fabric outside of the hoop. Once the desired tension is achieved, tighten the Outside Hoop using the Large Finger Nut.

After completing your work area, simply loosen the Outside Hoop, remove it and reposition your quilt. The square boundaries will make determining your next work area easy.

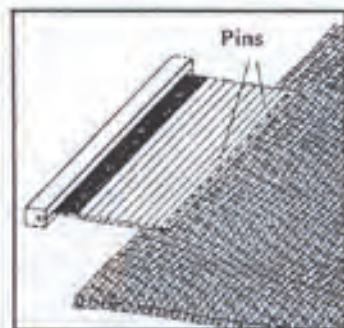
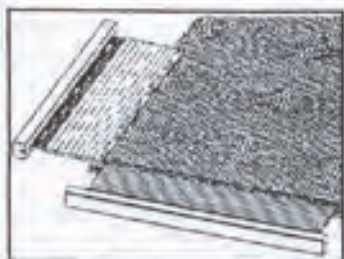


Using the EdgeTool™

The EdgeTool™ will assist you in finishing your quilts along the edges. When you come to the edge of your quilt, lay out the quilt on a flat surface and pin the EdgeTool™ cloth sleeve to all three layers at the quilt's edge. Pin as straight as possible.

Holding the EdgeTool™ and quilt, position them onto the Inside Hoop, letting the EdgeTool™ wood bar hang over the Inside Hoop and act as a weight to assist in the positioning of your

quilt. Apply the Outside Hoop so that it clamps down over the EdgeTool™ cloth sleeve.



The EdgeTool™ comes as a set of two, enabling it to work in tandem as you complete the corners of your quilt (see diagram).

