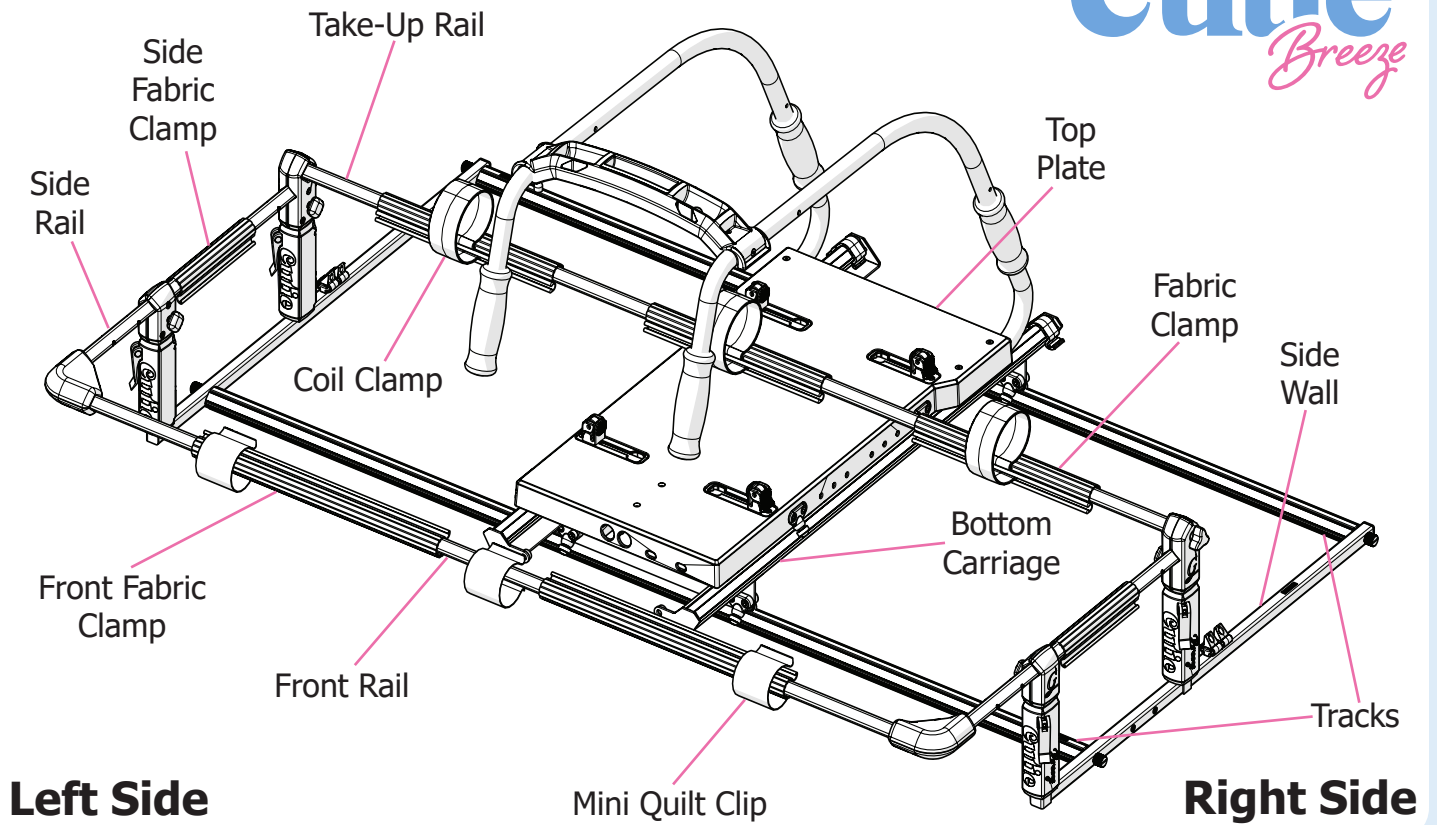


○ Parts of the Frame

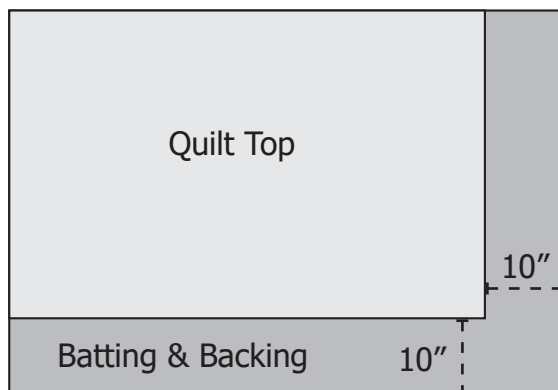
Cutie™
Breeze



Starting a New Project:

- Make sure your frame is on a level surface.
- Check your rail height (see Rail Adjustment).
- Wipe down with a lint-free cloth:
 - Tracks on the frame
 - Tracks and wheels on the bottom carriage
 - Wheels on your machine or top plate
- Build a test quilt of the same materials as your project, and test your sewing tension.
- Attach your current project to the frame (see Attaching Fabric).
- Measure your fabric and make your quilt sandwich (see Quilt Dimensions and Quilt Sandwich).
- Tack down your quilt at the edge of the quilt top.

Quilt Dimensions



Recommended sizing:

Backing: 10" larger than the quilt-top, but no smaller than 28" total.

Batting: Same size as backing.

Note: If using cloth leaders, see their instructions for alternative sizing.

Record the measurements of your quilt here in wet-erase marker:

Top: _____ x _____

Batting: _____ x _____

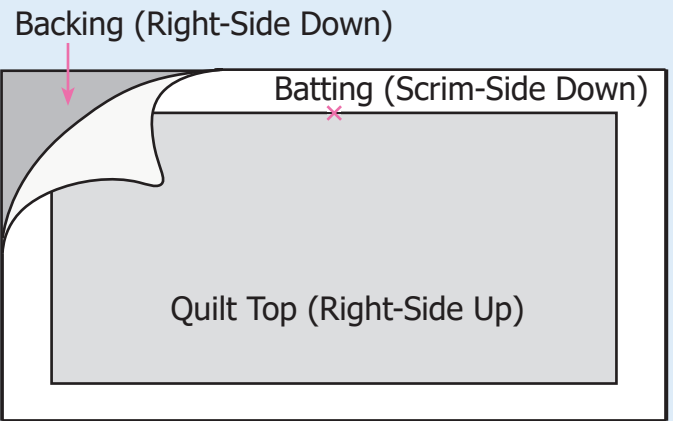
Backing: _____ x _____

Quilt Sandwich

To build your quilt sandwich:

- 1 Place the backing right-side down.
- 2 Place the batting on top of the backing, scrim (coarse/pimped) side down.
- 3 Center quilt top over the batting, right-side facing up.

Note: "Right-Side" is the side of the fabric you want to show on the outside of the finished quilt.

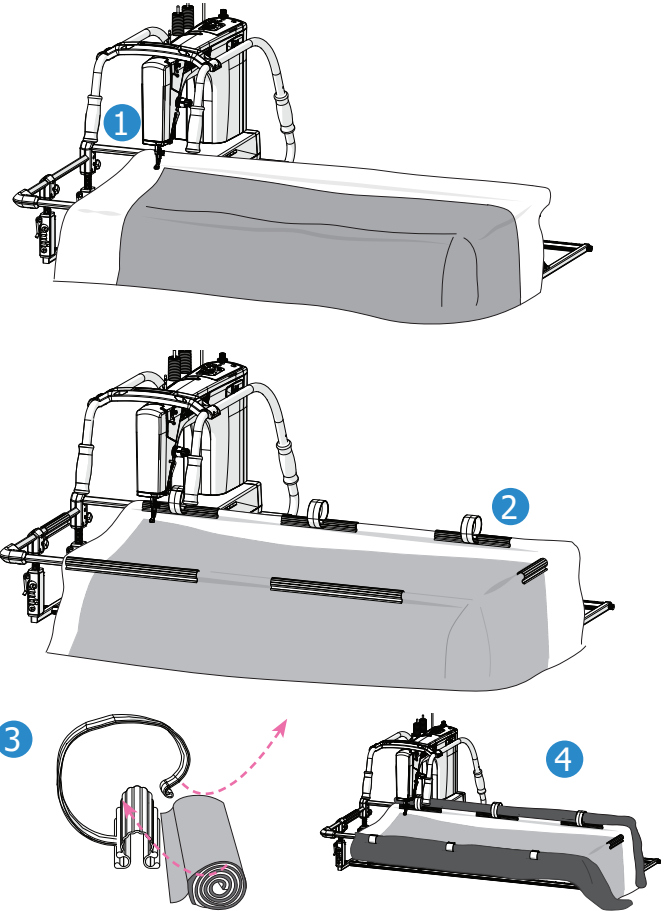


Attaching Fabric

- 1 Place your quilt onto the frame and position it so the top-left corner of your quilt top is under the hopping foot.
- 2 While keeping the quilt in the hoop area free of wrinkles, install the fabric clamps on the rails.
- 3 Roll up excess fabric in the throat of the machine, and slide it into the coil clamps by stretching the coil out.
- 4 Flip up excess fabric on the front, and clip it down with the mini quilt clips.

Note: See your frame instruction manual for more details on attaching fabric.

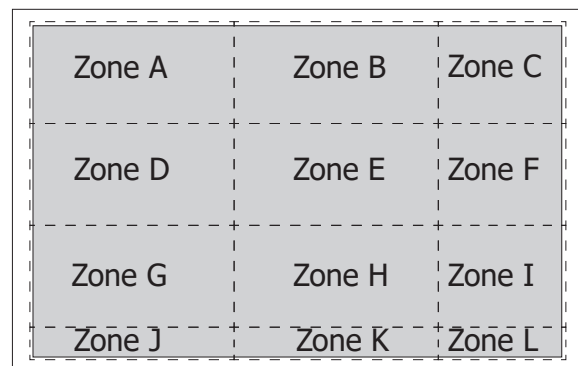
Tip: If you aren't quilting for a few days, remove your fabric clamps to avoid stretching out your fabric.



Moving Fabric

When you're finished with the available quilting space, it's time to move the quilt to the next zone.

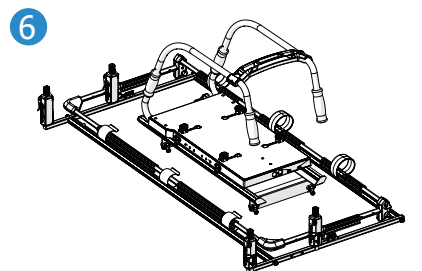
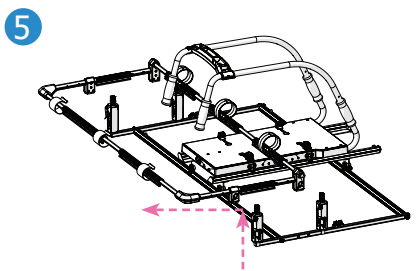
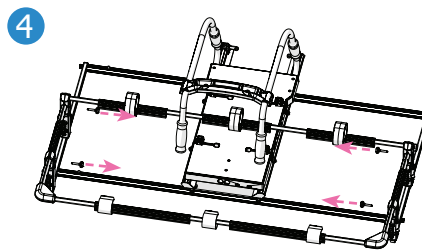
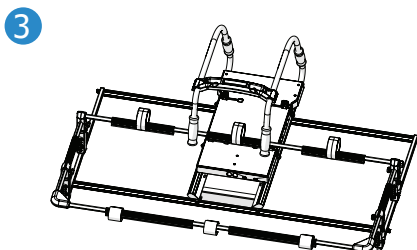
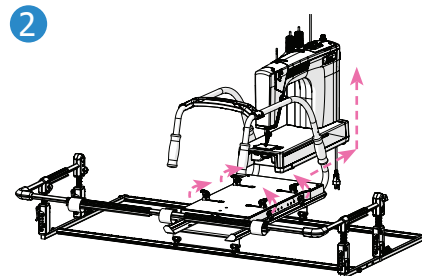
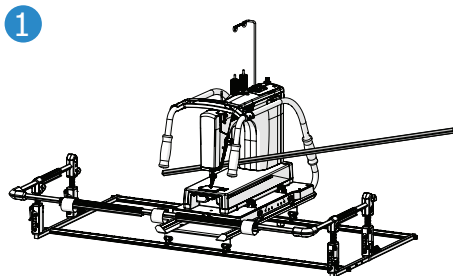
- 1 Stretch the coil clamp out, and slide the roll of fabric out. Remove the fabric clamps.
- 2 Move the quilt so the next quilting zone is within the reach of the sewing machine.
- 3 Replace the fabric clamps, and slide the roll of fabric back into the coil clamps.



When you move to a new zone in your quilt, tack down the quilt top edges about a quarter inch from the batting and backing.

Frame Storage

- 1 Remove the take-up rail so you can take your machine off the frame.
- 2 Slide the top plate machine clamps away from the machine, and remove the machine.
- 3 Replace the take-up rail on the frame, and put the clamps on the rail.
- 4 Pull out the securing pins on the towers.
- 5 Lift the hoop off the frame.
- 6 Stack the hoop with the tracks to store the frame. You can also set the bottom carriage and top plate parallel to the tracks inside the hoop.



Tips & Tricks

Practice Makes Perfect

Use leftover fabric from your quilt top to make a small practice quilt.

After every bobbin change, put the practice quilt onto the frame and set your stitch tension before stitching into your work in progress.

You can also practice stitching out patterns on your practice quilt.

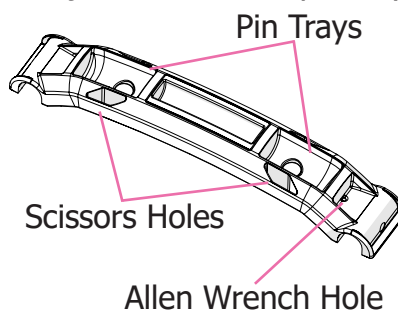
Make small practice quilts to determine how your quilt top, batting, and backing interact together before making your actual quilt.

Store Items in Handle Bracket

The handle bracket is magnetic and can hold pins in the two trays.

The holes on the sides of the trays can hold most scissors.

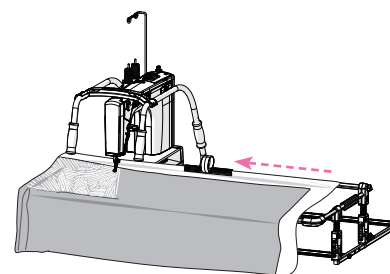
The Allen wrench for the frame can be stored in the hole just outside the pin tray.



Move Fabric with Clamp On

You can leave one clamp on your frame when you move your fabric to a new zone.

You might find that it is easier to line up your fabric with the frame if the clamp keeps part of the quilt on the frame at all times.



Rail Adjustment

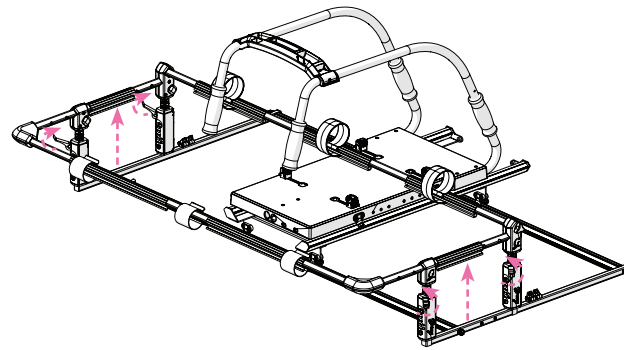
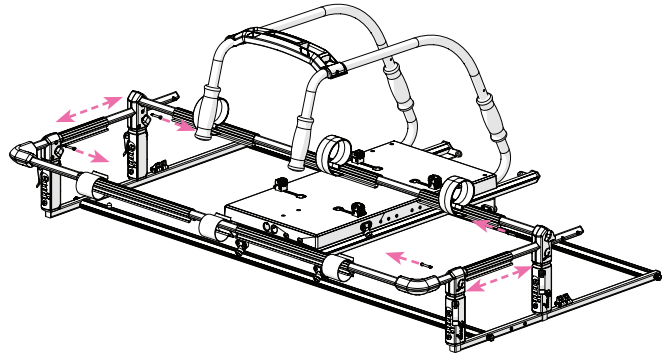
The front rail must be at the correct location for the throat length of your machine. The take-up rail must be as close as possible (without touching) to the bed of your machine.

To adjust the front rail:

- 1 Unscrew the bolts from the plastic towers.
- 2 Slide the rails until the correct holes are lined up with the holes in the towers. Refer to the manual for information about the correct holes.
- 3 Tighten the shoulder bolts to secure the towers to the rails in their new positions.

To adjust the take-up rail:

- 1 Open the handle clamps on the tower risers.
- 2 Raise the rail holders until the take-up rail is as close as possible (without touching) to the bed of the machine.
- 3 Close the clamps to secure the rail holders in their new position.



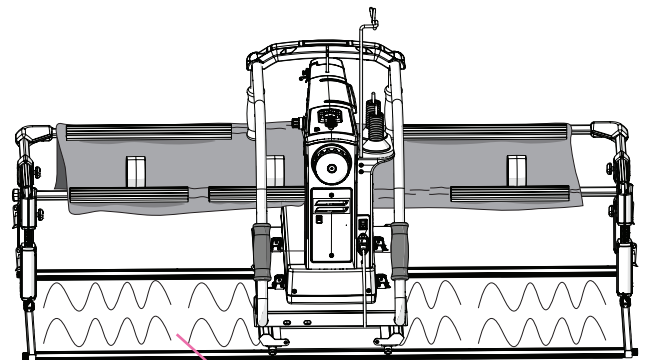
Quilting From the Back

Quilting from the back of the frame can be useful if you want to follow a template.

Lay the template on your table under your quilt.

Grasp the handles from behind the frame and machine, and then follow the template.

A laser can help you follow the template more exactly. Visit graceframe.com for details.



Template

Using Accessories

Your Cutie Breeze frame works with many accessories, including:

- Precision Cloth Leaders: Reduce the amount of fabric you need for your quilt sandwich.
- SureStitch: Regulate your stitches for more consistency in your stitch length.
- Luminess Light Bar: Light up your work area to clearly see details and colors.
- Bungee Clamps: Hold the side of your fabric taut when it can't reach the side rails.

Visit graceframe.com for details.

Grace
COMPANY

1-800-264-0644