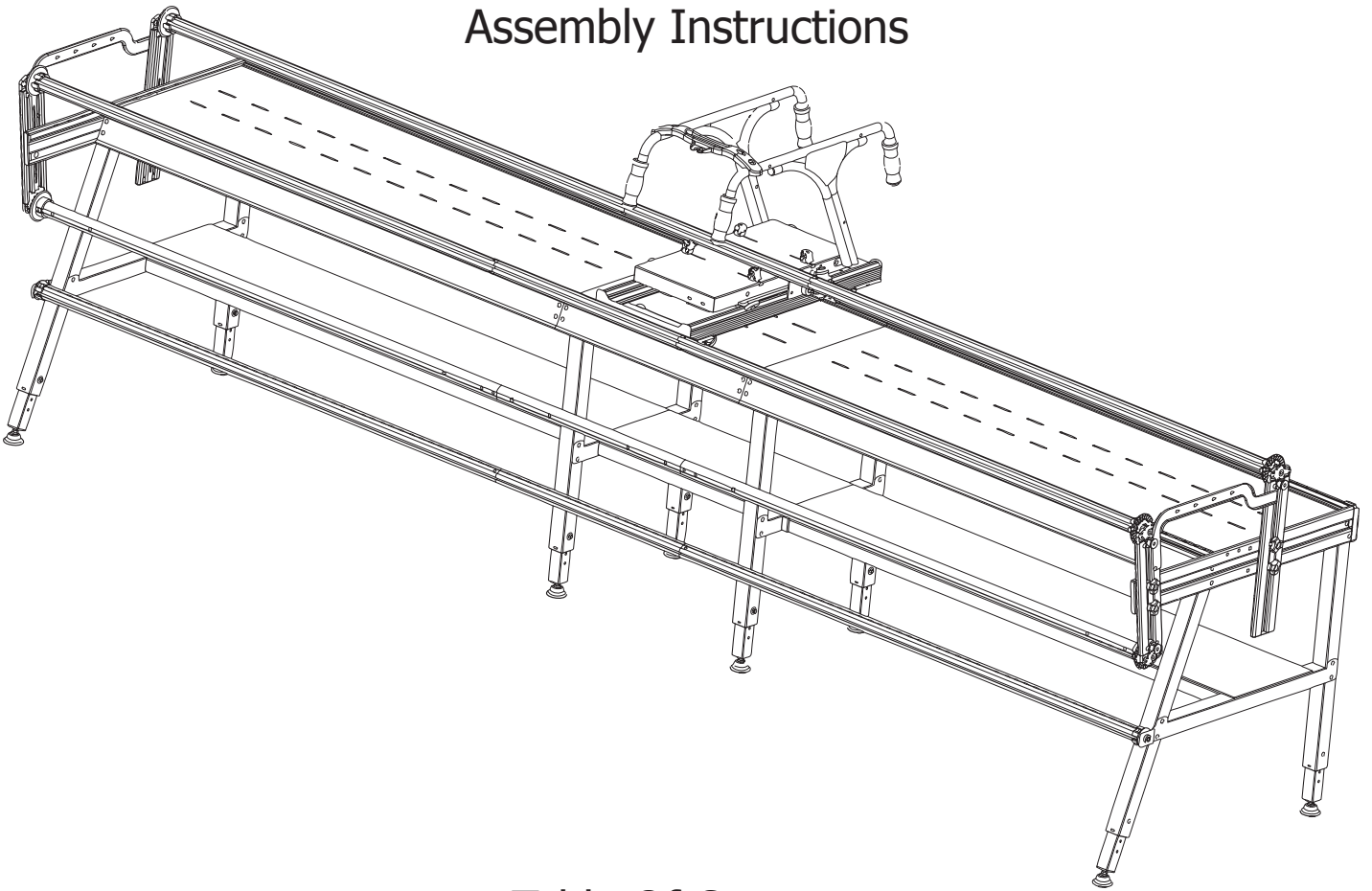


# 2ft. Extension Kit

## Quilting Frame Assembly Instructions



### Table Of Contents

#### Parts List

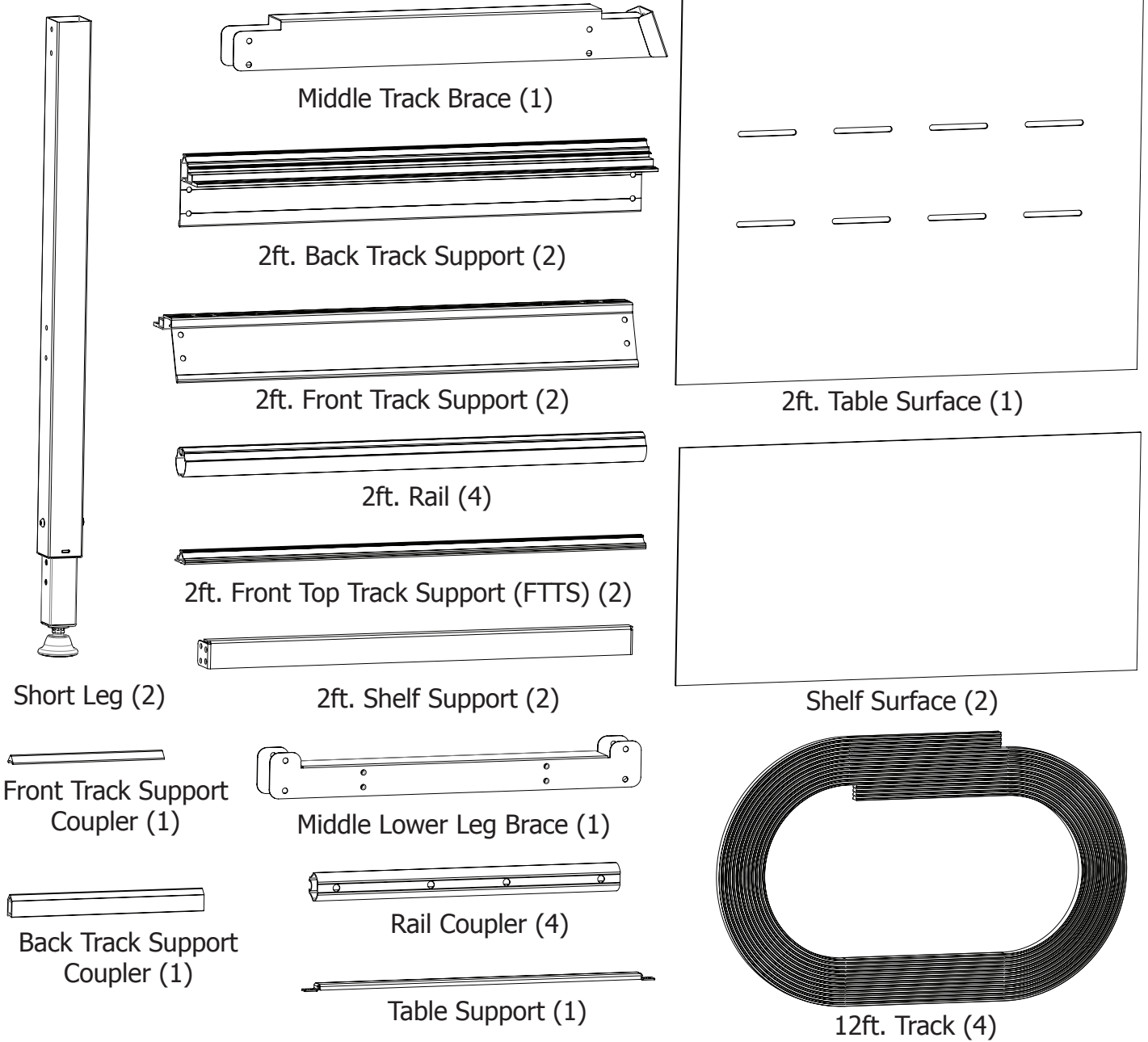
Parts List . . . . .	2
Hardware. . . . .	2

#### Assembly Steps

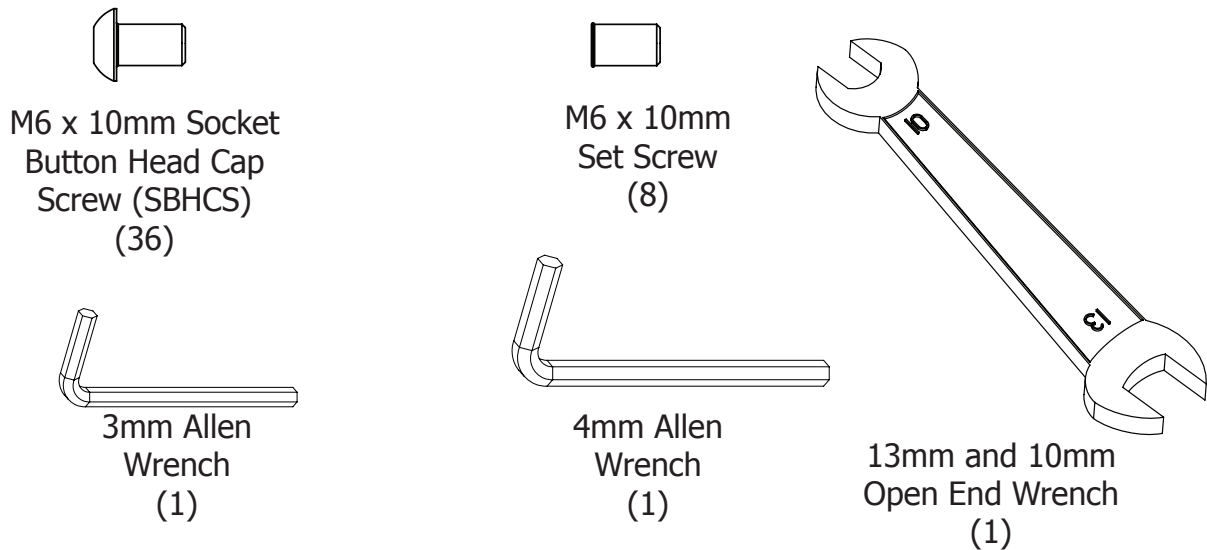
Step 1- Height Adjustable Leg Assembly . . . . .	3
Step 2- Middle Legs Assembly. . . . .	3
Step 3- Disassemble . . . . .	3
Step 4- Middle Leg to Frame. . . . .	4
Step 5- Track and Shelf Supports . . . . .	5
Step 6- Table Support Assembly. . . . .	5
Step 7- Front Top Track Support (FTTS) . . . . .	6
Step 8- Table and Shelf Surface . . . . .	7
Step 9- Front Top Track Support to Frame. . . . .	7
Step 10- Rail Assembly . . . . .	8

Copyright August 2011  
Jim M. Bagley, GraceWood, Inc  
(Reproduction Prohibited)  
Version 110826

# Parts List



# Hardware

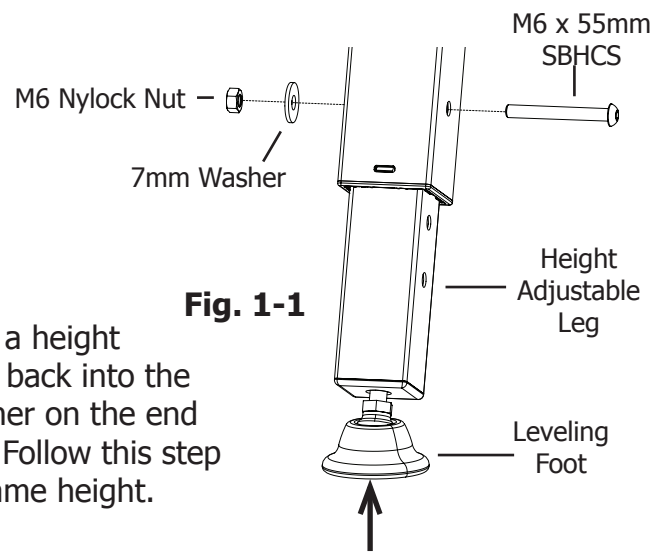


## **Step 1: Height Adjustable Leg Assembly**

Parts Needed:

2- Short Leg

**1-1:** Unscrew an M6 X 55mm SBHCS from a leg and slide a height adjustable leg to the desired height. Then slide the SBHCS back into the Height Adjustable Leg and out the other end. Slide a washer on the end of the screw and tighten a nut onto the end of the screw. Follow this step again for the other leg. Make sure all the legs are at the same height.



## **Step 2: Middle Legs Assembly**

Parts Needed:

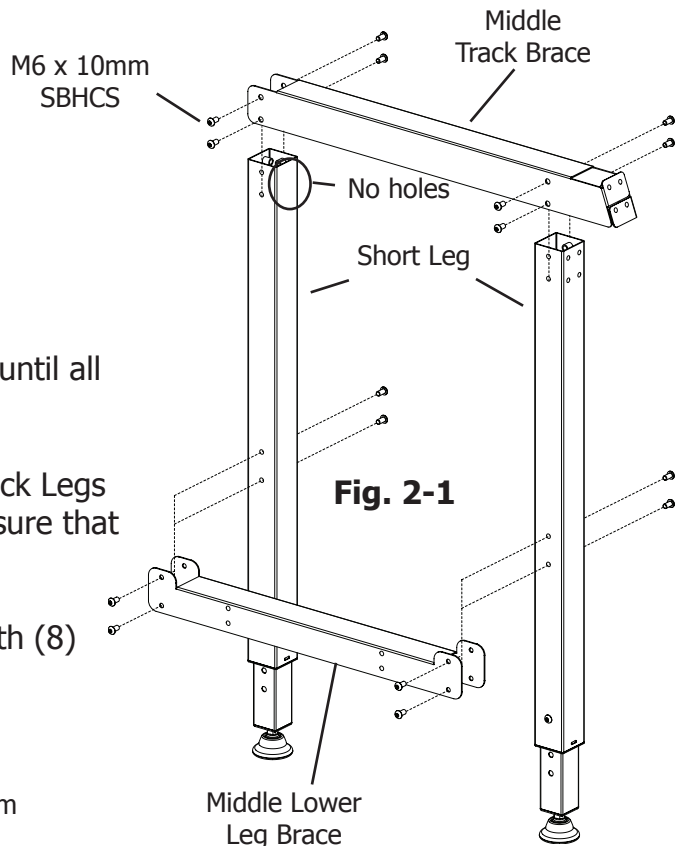
16- M6 x 10mm SBHCS  
2- Short Leg  
1- Middle Track Brace  
1- Middle Lower Leg Brace

**Note:** Skip this step if setting up in crib.

**Note:** Do not completely tighten the screws in this step until all the screws are installed for the Middle Leg Assembly.

**2-1:** Attach the Middle Lower Leg Brace to the Middle/Back Legs with (8) M6 x 10mm SBHCS, as shown in Fig. 2-1. Make sure that the side of the leg with no holes goes toward the inside.

**2-2:** Attach the Middle Track Brace to the Middle Legs with (8) M6 x 10mm SBHCS.



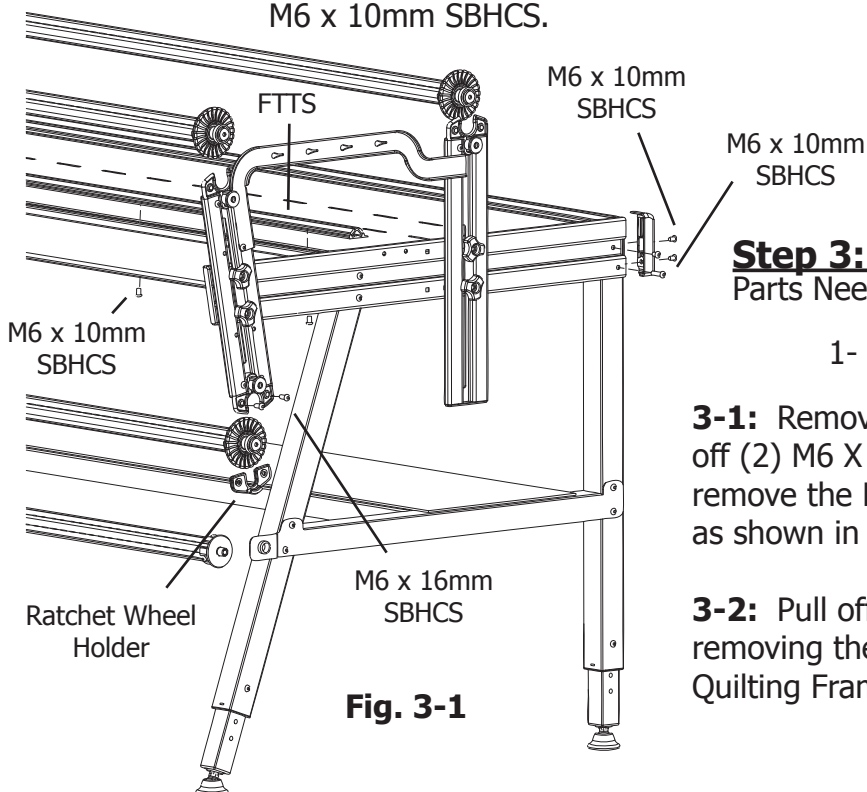
## **Step 3: Disassemble**

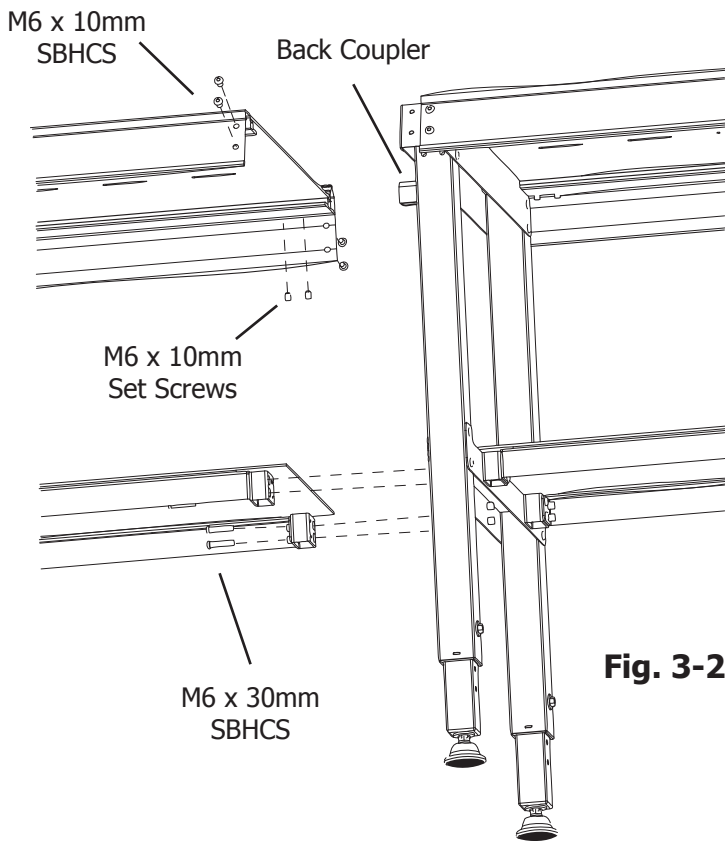
Parts Needed:

1- Quilting Frame

**3-1:** Remove (4) Rails from the Quilting Frame, taking off (2) M6 X 16mm SBHCS and Ratchet Wheel Holder to remove the Rail on the bottom of the Front Rail Bracket, as shown in Fig. 3-1.

**3-2:** Pull off the Front Top Track Support (FTTS) by removing the (8) M6 X 10mm SBHCS connecting it to the Quilting Frame.





**Fig. 3-2**

**3-3:** Remove the Right Frame Corner by taking out (3) M6 X 10mm SBHCS and (1) M6 X 25mm SBHCS.

**3-4:** Push down the side of the frame to expose the back track and pull (2) Plastic Tracks from the Back Track Support.

**3-5:** Remove (4) M6 X 10mm SBHCS from the Front and Back Track Supports, as shown in Fig. 3-2.

**3-6:** Take out (2) M6 X 10mm Set Screws holding the Back Coupler.

**3-7:** Remove (4) M6 X 30mm SBHCS from the left Shelf Supports.

**3-8:** Pull off the left half of the quilting frame.

## **Step 4: Middle Leg to Frame**

Parts Needed:

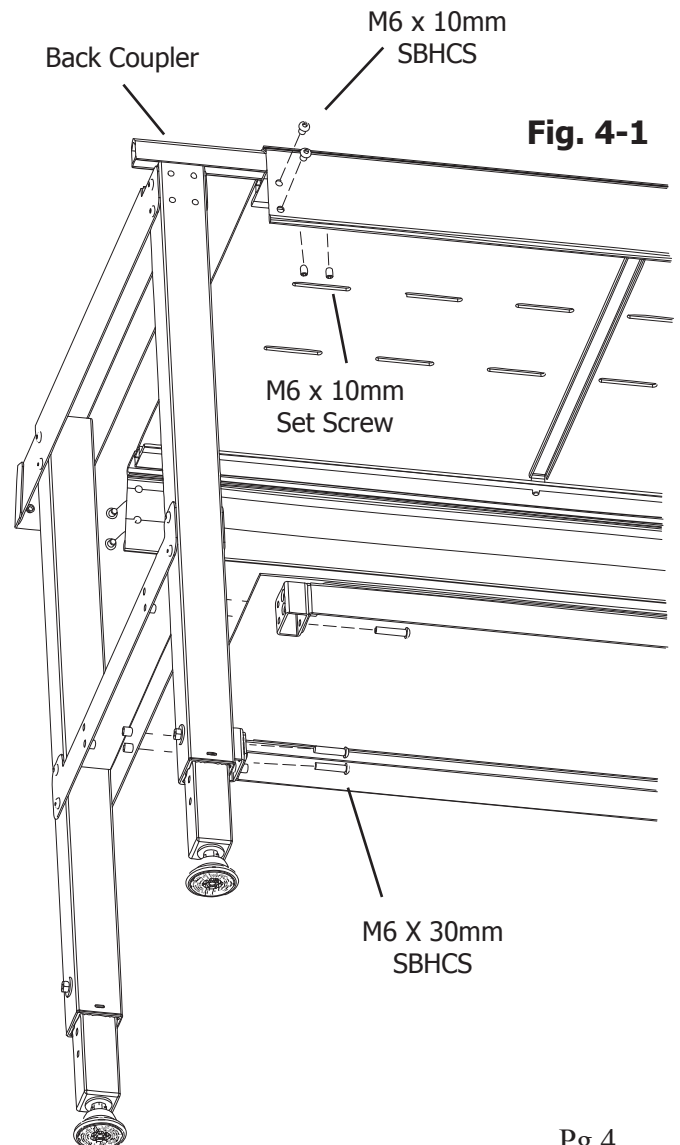
- 4- M6 x 10mm SBHCS
- 4- M6 x 30mm SBHCS
- 2- M6 X 10mm Set Screw
- 1- Back Track Support Coupler
- 1- Middle Leg Assembly

**4-1:** Attach the front side of the Track Supports on the left half of the frame to the inside holes on the front side of the Middle Leg with (2) M6 x 10mm SBHCS, as shown in Fig 4-1.

**4-2:** Attach the other side of the Back Track Support to the inside holes on the Middle Leg with (2) M6 x 10mm SBHCS.

**4-3:** Attach the (2) Shelf Supports on the left half of the frame to the Middle Leg with (4) M6 X 30mm SBHCS.

**4-4:** Place the Back Track Support Coupler into Back Track Support so half of the coupler is hanging out and lock in place using (2) M6 X 10mm Set Screws.



**Fig. 4-1**

## **Step 5: Track and Shelf Supports**

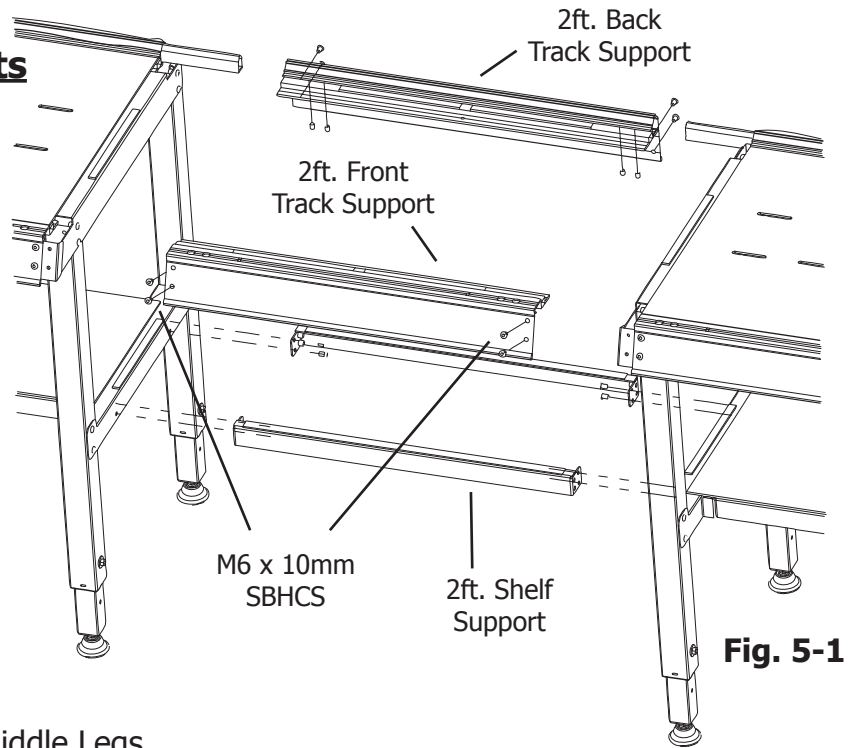
Parts Needed:

- 16- M6 x 10mm SBHCS
- 1- 2ft. Front Track Support
- 1- 2ft. Back Track Support
- 2- 2ft. Shelf Support

**5-1:** Place both sides of your frame about 2 feet apart. Attach 2ft. Front and Back Track Supports to both Middle Leg Stands with (8) M6 X 10mm SBHCS, as shown in Fig. 5-1.

**Note:** Don't tighten the screws until both sides of the 2ft. Track Supports are attached to the Middle Legs. Make sure the Track Supports sit flush on the Middle Legs.

**6-2:** Take (2) 2ft. Shelf Support and attach them to the Middle Legs using (8) M6 X 10mm SBHCS, as shown in Fig. 5-1.

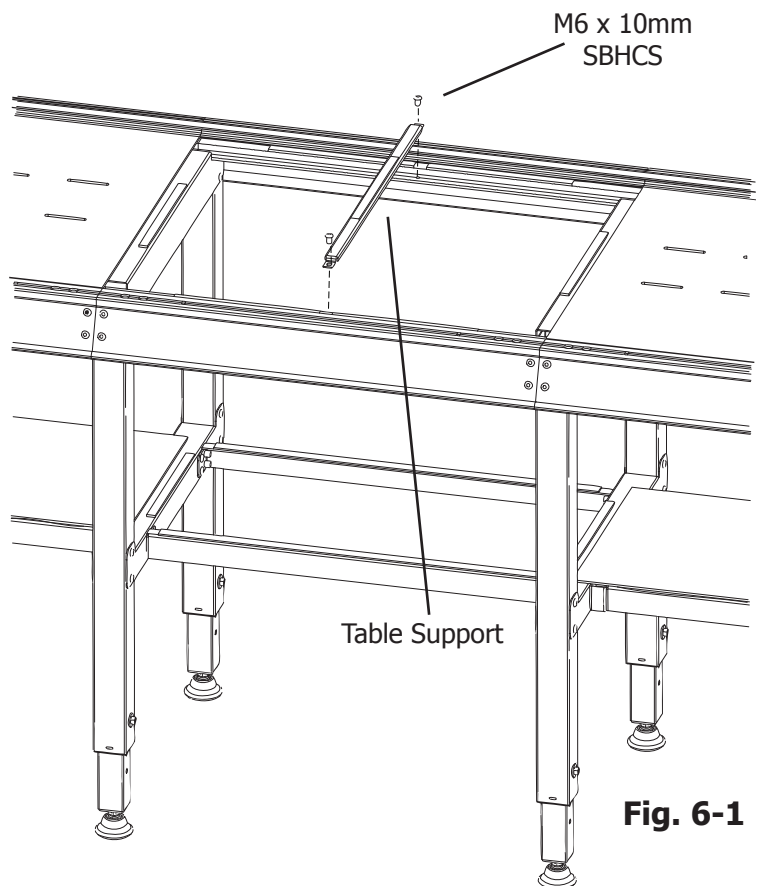


## **Step 6: Table Support Assembly**

Parts Needed:

- 2- 6 x 10mm SBHCS
- 1- Table Support

**6-1:** Attach (1) Table Support to the middle of the 2ft. Track Supports using (2) M6 x 10mm SBHCS, as shown in Fig. 6-1.



## **Step 7: Front Top Track Support (FTTS)**

Parts Needed:

- 4- M6 X 10mm Set Screw
- 3- M6 X 10mm SBHCS
- 1- M6 X 25mm SBHCS
- 1- 2ft. Track Runner
- 1- Track Coupler
- 4- 12ft. Plastic Track
- 1- Front Top Track Support (FTTS)

**7-1:** Push down the right side of the frame to expose the Back Track Support and slide (2) 12ft. Plastic Tracks into Back Track Support, as shown in Fig. 7-1.

**7-2:** Replace Right Frame Corner, putting (3) M6 X 10mm SBHCS and (1) M6 X 30mm back from where they were removed.

**7-3:** Pull FTTS apart, by taking out (2) M6 X 10mm Set Screws from the left FTTS. Pull the left FTTS off the Track Coupler, leave the Coupler attached to the right FTTS.

**7-4:** Slide the Track Coupler, from the extension kit, so it is half way in the 2ft. FTTS.

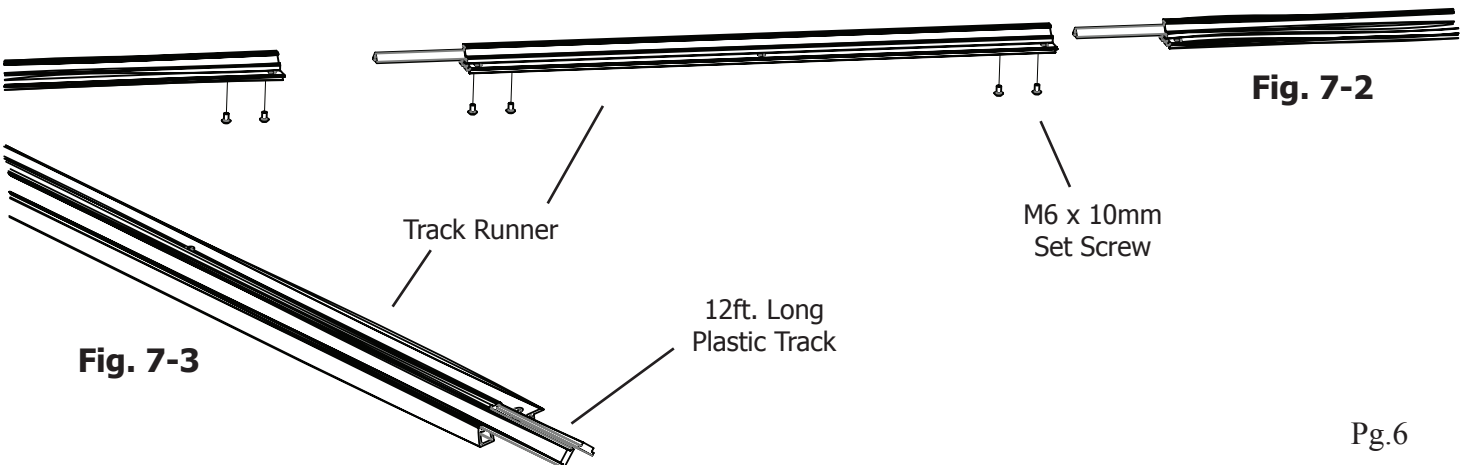
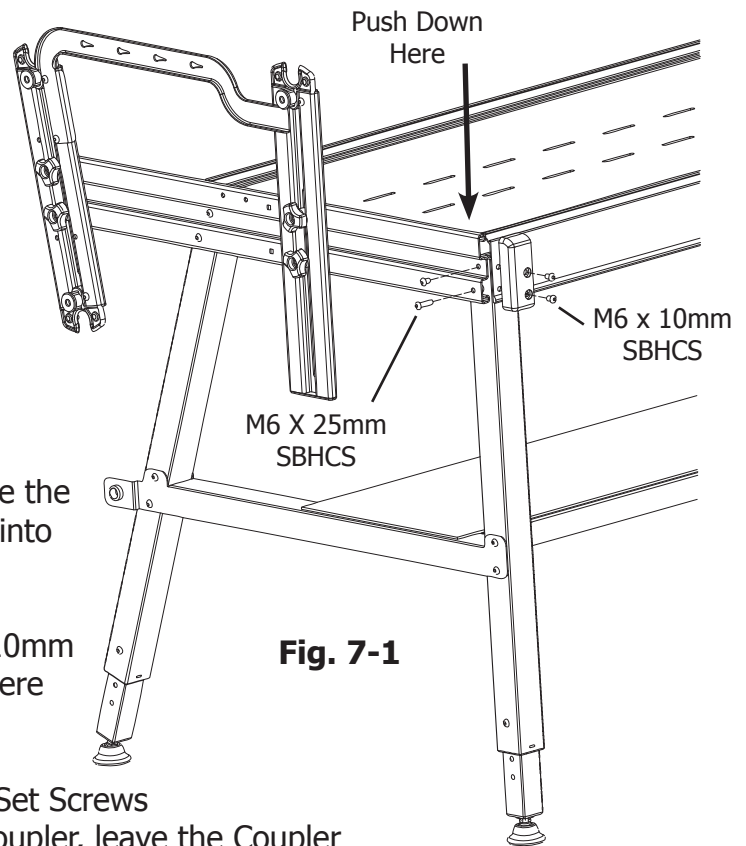
**7-5:** Thread (2) M6 X 10mm Set Screw into the first two holes on the 2ft. FTTS, to tighten the Coupler in place, as shown in Fig 7-2.

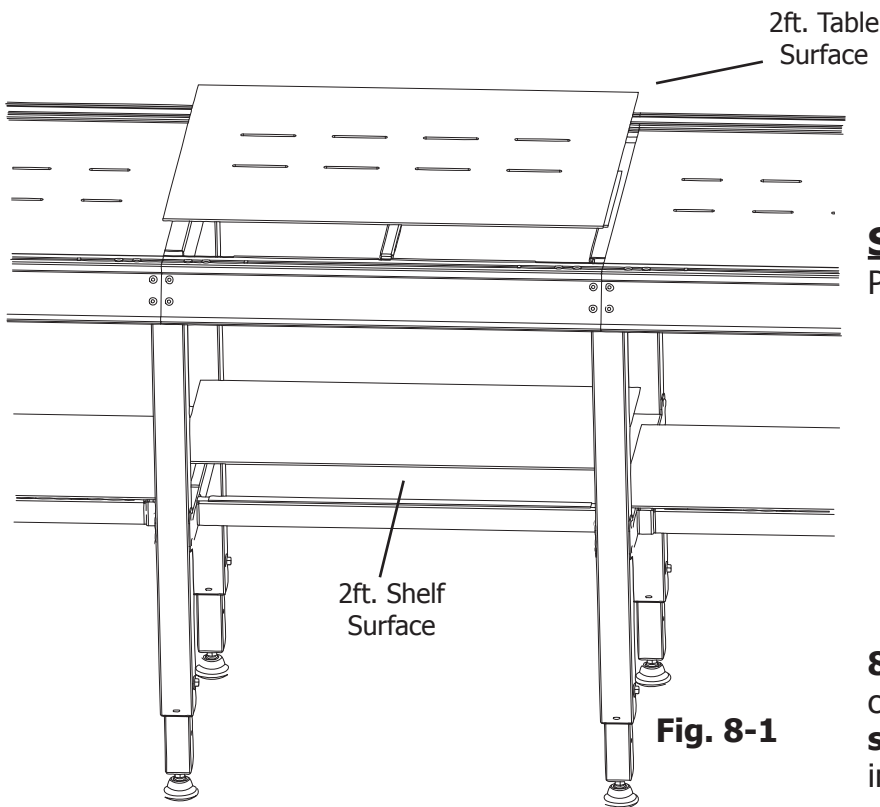
**7-6:** Slide the Left FTTS onto Coupler, in the 2ft. FTTS. Then on the other side of the 2ft. FTTS slide on the Coupler in the Right FTTS, as shown in Fig 7-2.

**7-7:** Thread in (2) M6 X 10mm Set Screw into the inside holes on each FTTS, as shown in Fig. 7-2.

**Note:** The screws locking the Couplers in place will not thread in all the way.

**7-8:** Slide (2) 12ft. Plastic Tracks into the FTTSs, as shown in Fig. 7-3.





## **Step 8: Table and Shelf Surface**

Parts Needed:

- 1- 2ft. Table Surface
- 1- 2ft. Shelf Surface

**8-1:** Lay the plastic table approximately centered, **with the textured surface side UP** on the Table Supports as shown in Fig. 8-1.

**8-2:** Attach the Shelf Table, **with the textured surface side UP** to the Shelf Supports with the pre-installed double sided tape, as shown in Fig. 8-1.

**Fig. 8-1**

## **Step 9: Front Top Track Support**

Parts Needed:

- 10- M6 x 10mm SBHCS
- 2- Front Top Track Support (FTTS)

Front Top Track Support (FTTS)

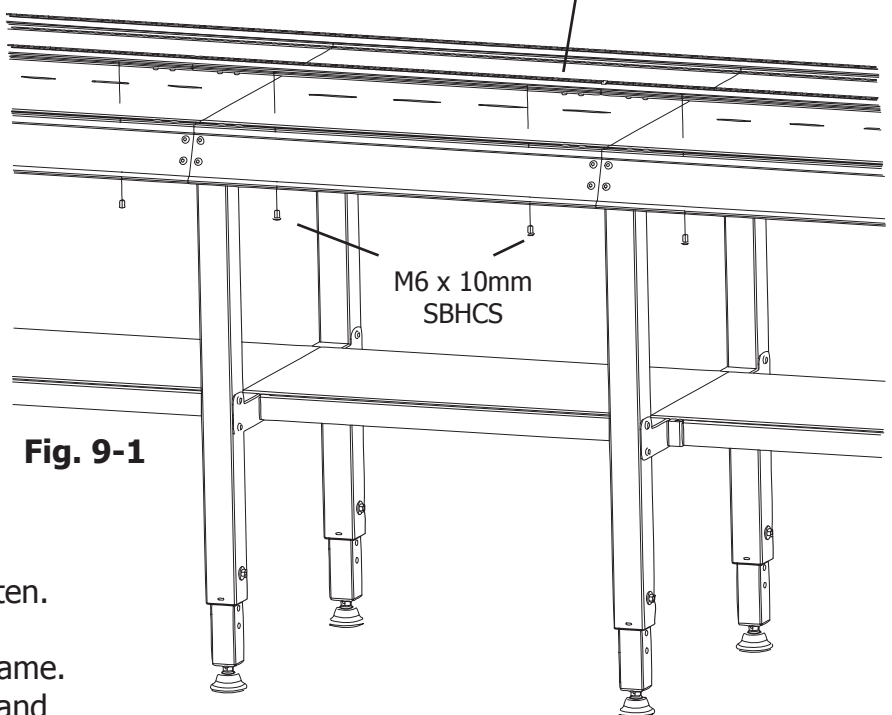
M6 x 10mm SBHCS

**9-1:** Place a FTTS on the Front Track Support, line up the holes on Track Support with the holes on the FTTS, as shown in Fig. 9-1.

**9-2:** Thread (10) M6 X 10mm SBHCS down through the FTTS and Track Support, making sure not to fully tighten.

**9-3:** Replace the Carriage onto the frame. Use Carriage to align FTTS Assembly and tighten down M6 X 10mm SBHCS once tracks are aligned.

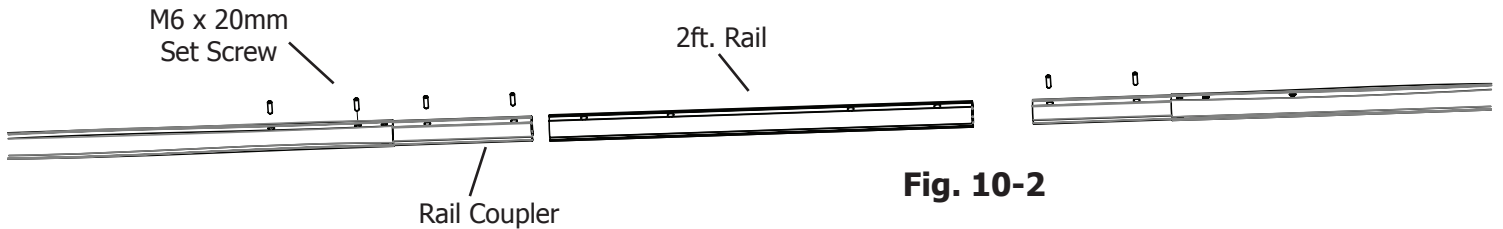
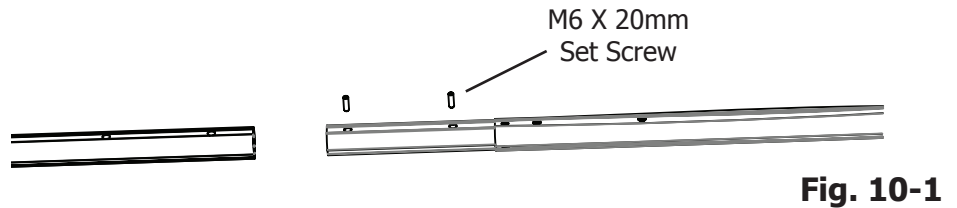
**Fig. 9-1**



## Step 10: Rail Assembly

Parts Needed:

- 4- Rail Coupler
- 4- 2ft. Rail
- 4- Rail Assembly



**10-1:** Pull Rail Assembly apart by removing (2) M6 X 20mm Set Screws from left side of Rail Assembly, as shown in Fig. 10-1.

**10-2:** Slide a Rail Coupler half way into the left 5ft. Rail, locking it in place using (2) M6 X 20mm Set Screws.

**10-3:** Slide both of the 5ft. Rails with coupler onto each side of a 2ft. rail, as shown in Fig. 10-2, and put (4) M6 X 20mm Set Screws in to finish Rail Assembly.

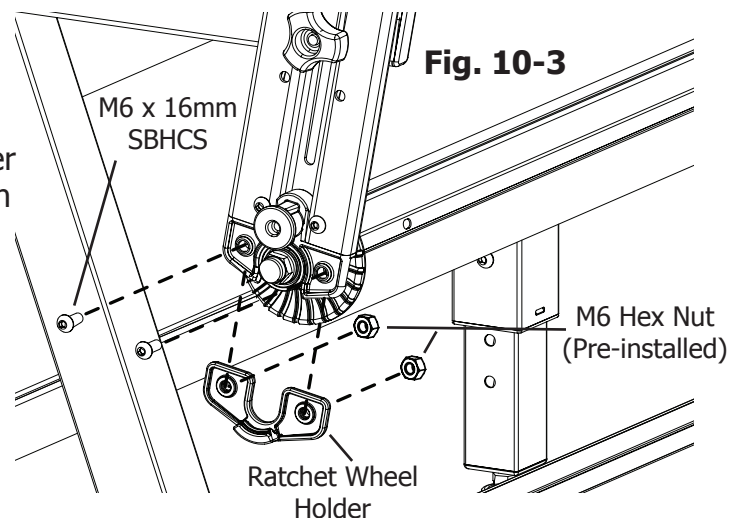
**10-4:** Repeat Steps 10-1 through 10-3 for remaining Rails.

**10-5:** Place sewing machine in place on the frame and insert the Take Up Rail through the throat of the sewing machine and into the ratchet housings.

**10-6:** Take one of the Rails with Ratchet Wheels and slide it up into the Front Rail Mount End until it clicks into place. Then place the ratchet wheel holder in between the Ratchet Wheel and Rail End as shown in Fig. 10-3.

**10-7:** Screw (2) of the M6 x 16mm SBHCS into the Ratchet Wheel Holder. Follow the same step for the other side of the Rail.

**10-8:** Replace remaining (2) Rail Assemblies.



**Congratulations!** Assembly of your 12 Foot Quilting Frame is now complete.

- For questions on installing your fabric or for further questions, on assembly, of your quilting frame, please refer to your Quilting Frame instruction booklet.
- For any further questions please contact your dealer or The Grace Company directly at 1-800-264-0644 or [info@graceframe.com](mailto:info@graceframe.com).