

2-Ft Extension Kit

Majestic Quilting Frame Assembly Instructions

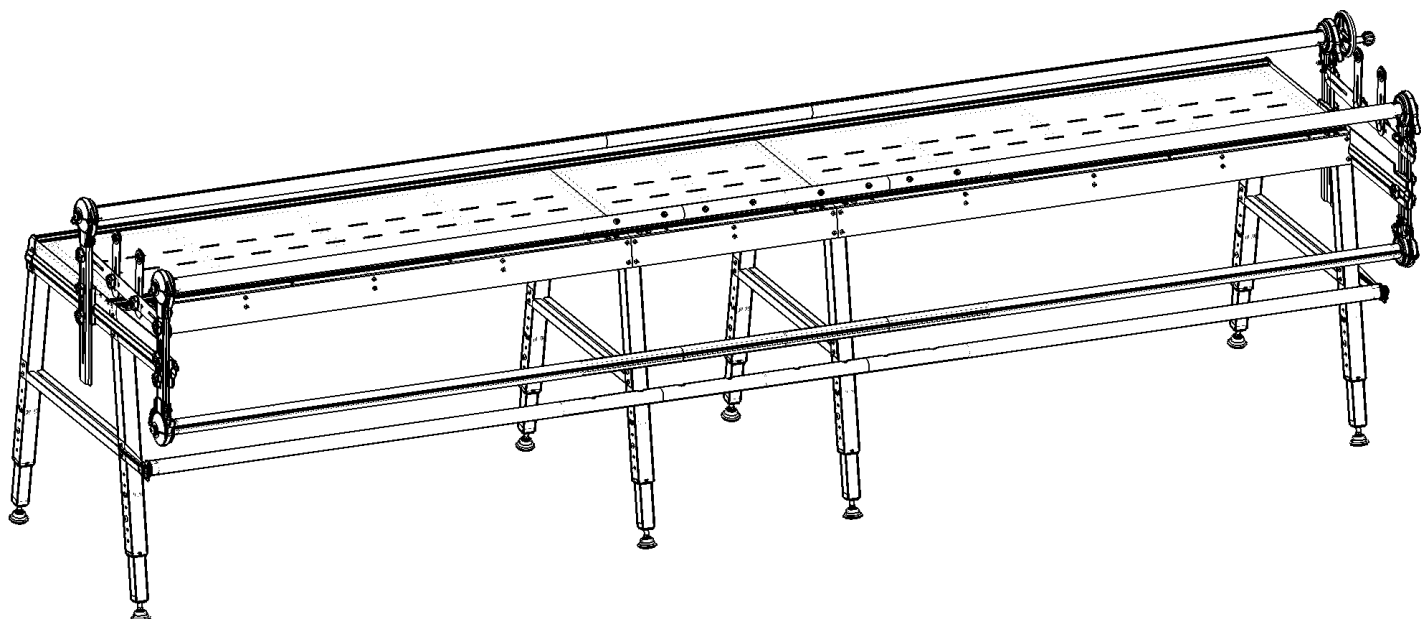


Table of Contents

Extension Kit Assembly

Before You Begin.....	1
Parts List.....	2
Assembly Steps	
Step 1: Leg Assembly.....	3
Step 2: Middle Leg Stand.....	3
Step 3: Disassemble.....	4
Step 4: Middle Leg Stand To Frame.....	4
Step 5: Track Support.....	5
Step 6: Table Support.....	5
Step 7: Track Runner.....	6
Step 8: Table.....	7
Step 9: Rail Assembly.....	8

Parts List



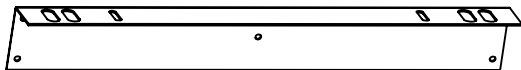
Track Runner Coupling(2)



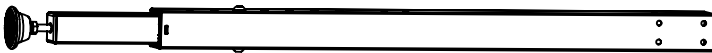
2-Ft (24in) Track Runner(2)



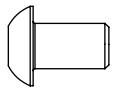
Leg Table Brace(2)



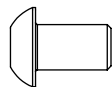
2-Ft (24in.) Track Support(2)



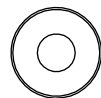
Leg Assembly(2)



M6 X 10mm
Socket Head
Screw(28)



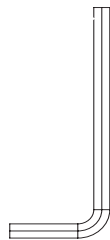
M5 X 10mm
Socket Head
Screw(20)



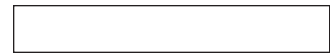
M5 X 12mm
Washer(4)



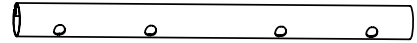
M4 Allen
Wrench(1)



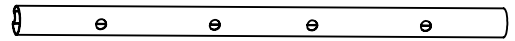
M5 Allen
Wrench(1)



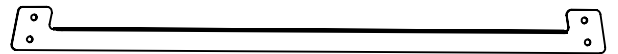
Backing Tape(2)



Rail Coupling(4)



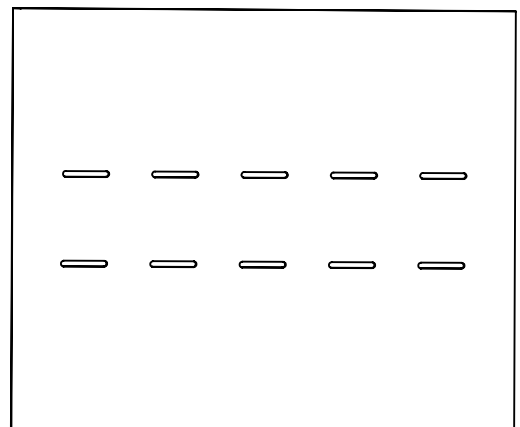
2-Ft (24in) Rail(4)



Leg Brace(2)



Table Support(1)



2-Ft (24in) Plastic Table(1)

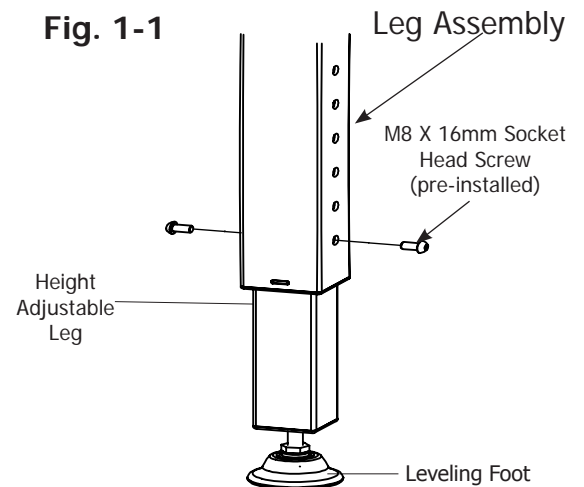
Welcome!

Before you begin assembly of your new home machine quilting system, keep in mind the following:

- 1: Assembly of your new extension kit will be simple and step by step.
- 2: Read through each step completely before beginning the step.
- 3: When beginning assembly of your frame we recommend you assemble it in the room your going to be quilting in because it is large and could be difficult to move.
- 4: Using the parts list as a reference, take the parts out of the boxes and make sure that you have all the needed parts
- 5: Identify hardware packets: All hardware is separated by type and each packet is labeled for ease in identification.
- 6: If anything appears to be missing or damaged please contact your dealer or the Grace Company directly at 1-800-264-0644 or info@graceframe.com.

Step 1: Leg Assembly

Parts Needed: 2-Leg Assembly



1-1: To adjust the height of the leg, unscrew the pre-assembled M8 Socket Head Screws on each side, and slide the leg to the desired height. Reinsert the screws into the leg on each side, as shown in Fig. 1-1, and tightly thread back in. Repeat this step again for the other leg, making sure the screws in the legs are at the same position as the legs on your quilting frame.

Note: As a general recommendation, most users from 5'4" to 5'6" tall prefer the legs positioned with the screws in the center hole. Preferred heights may vary.

Step 2: Middle Leg Stand

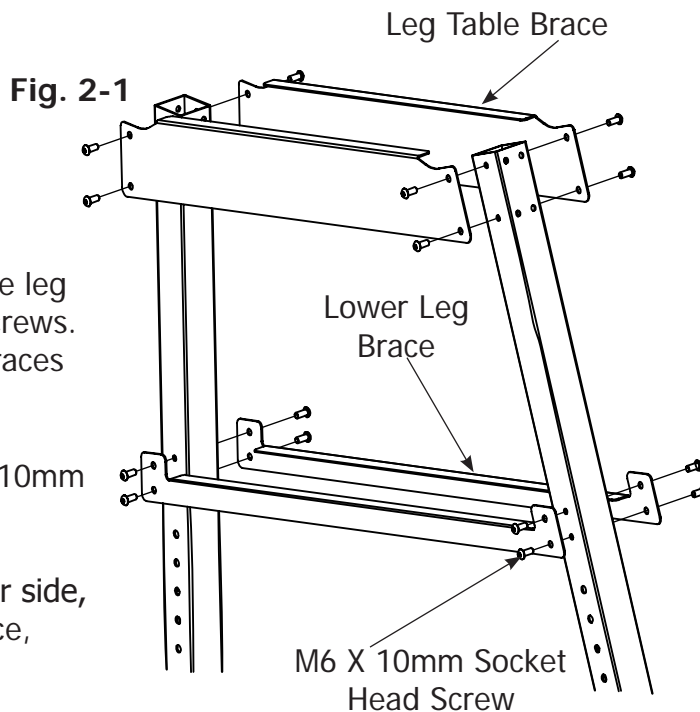
Parts Needed:

- 16-M6 X 10mm Socket Head Screw
- 2- Lower Leg Brace
- 2- Leg Table Brace
- 2- Leg Assembly

2-1: Attach the Leg Table Brace to the top of the leg assemblies with (4) M6 X 10mm Socket Head Screws. Do not tighten any screws completely until all braces are attached.

2-2: Attach the Lower Leg Brace with (4) M6 X 10mm Socket Head Screws.

2-3: Repeat the previous two steps for the other side, as shown in Fig. 3-1. When all braces are in place, tighten down all screws completely.



Step 3: Disassemble

Parts Needed:

- 1-Majestic Quilting Frame

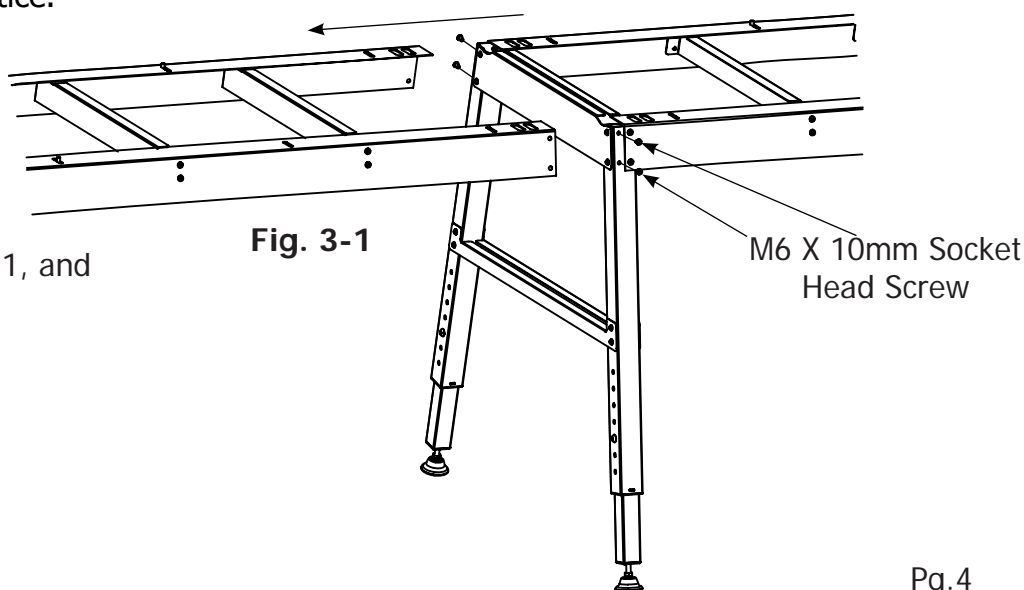
3-1: Take your Carriage, Take Up Rail, Fourth Rail, and the (2) Rail Assemblies off your Quilting Frame.

3-2: Carefully take the Tables off the frame, while trying not to ruin the Backing Tape.

3-3: Take out (16) (8 on each side) M5 X 10mm Socket Head screws from underneath the frame, that are attached to Track Runners. Then take the Track Runners off the Quilting Frame.

Note: When taking Track Runners and Rails off the frame leave Assembled until further notice.

3-4: Take out the (4) M6 X 10mm Socket Head Screws from the left side of the middle of the frame, as shown in Fig. 3-1, and pull the frame apart.



Step 4: Middle Leg Stand to Frame

Parts Needed:

- 4- M6 X 10mm Socket Head Screws
- 1- Middle Leg Stand Assembly

4-1: Attach the Middle Leg Stand Assembly to the Left side of the frame, with (4) M6 X 10mm Socket Head Screws as shown in Fig 4-1.

Note: Make sure the Track Supports connect to the inside holes on middle leg assembly.

Step 5: Track Support

Parts Needed:

- 8-M6 X 10mm Socket Head Screw
- 2-2-Ft Track Support

5-1: Place both sides of your frame about 2-Ft apart. Attach a 2-Ft Track Support to both Middle Leg Stands with (4) M6 X 10mm Socket Head Screw, as shown in Fig. 5-1.

Note: Don't tighten the screws until both sides of the 2-Ft Track Supports are attached to the middle leg assemblies. Make sure the Track Supports sit flush on the leg Assemblies.

5-2: Repeat Step 5-1 for the other side.

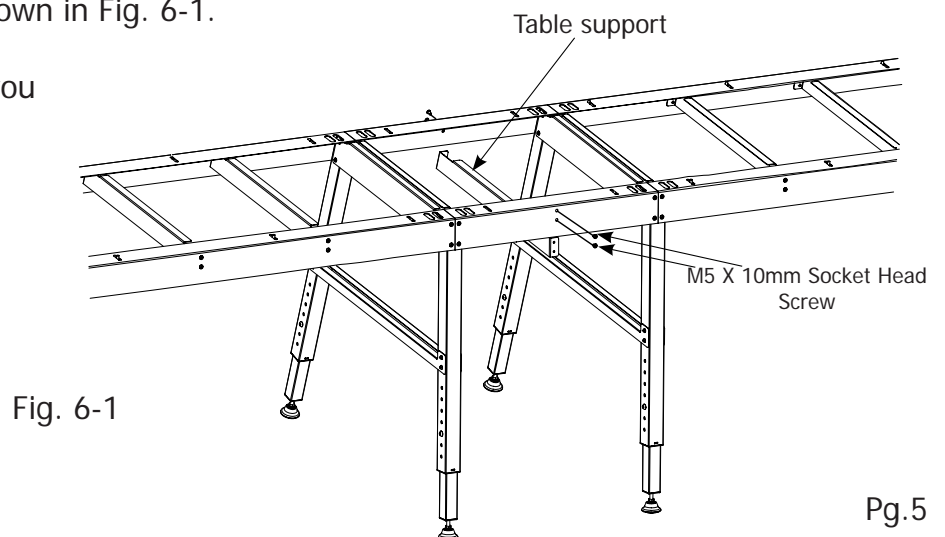
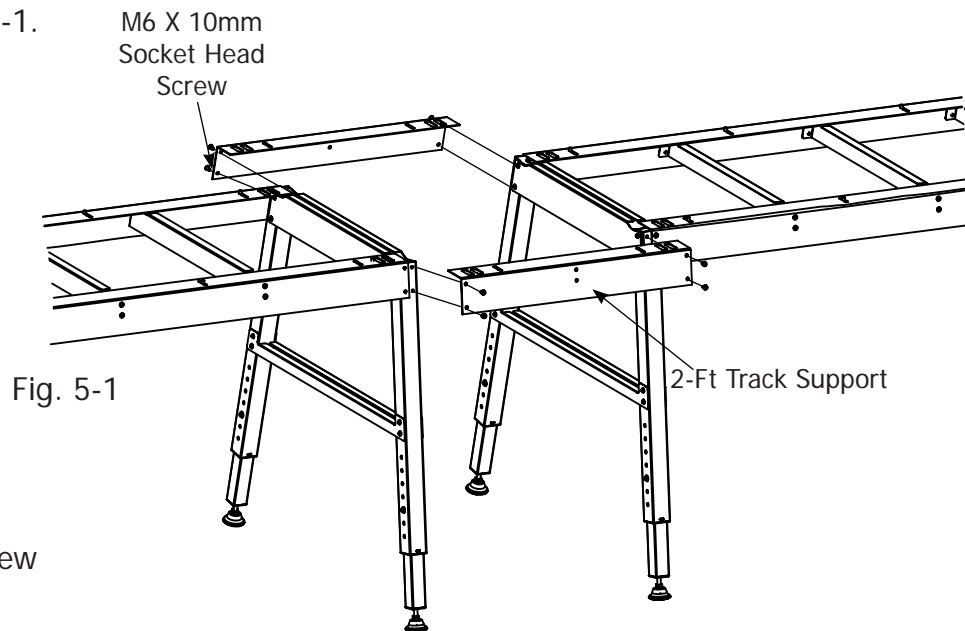
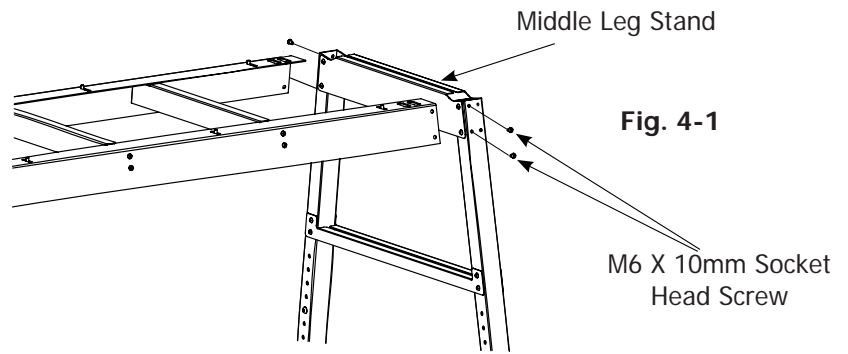
Step 6: Table Support

Parts Needed:

- 4- M5 X 10mm Socket Head Screw
- 1- Table Support

6-1: Attach the Table support to the Track Supports using (4) M5 X 10mm Socket Head Screws. Use two screws on each side, as shown in Fig. 6-1.

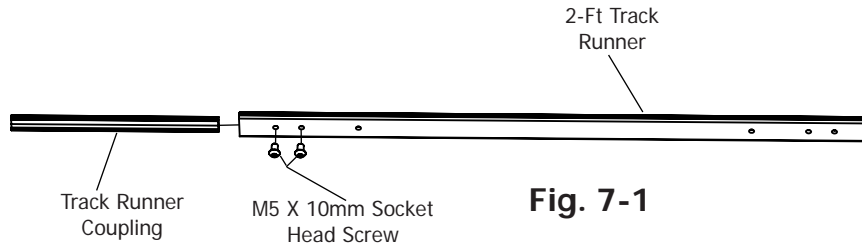
Note: Firmly tighten all screws as you attach the table support.



Step 7: Track Runner

Parts Needed:

- 20-M5 X 10mm Socket Head Screw
- 4-M5 Flat Washer
- 2-2-Ft Track Runner
- 2-Track Runner Coupling
- 2-Track Runner Assembly



7-1: Pull Track Assembly apart, by taking out (2) M5 X 10mm Socket Head Screws from the left Track Runner. Pull the Left Track Runner off the coupling, Leave the coupling attached to the right Track Runner.

7-2: Insert an M5 screw into the third hole, on the 2-Ft Track Runner, to use as a stopper, for the proper depth on the coupling.

7-3: Slide the Track Runner Coupling, from the extension kit, into the 2-Ft Track Runner.

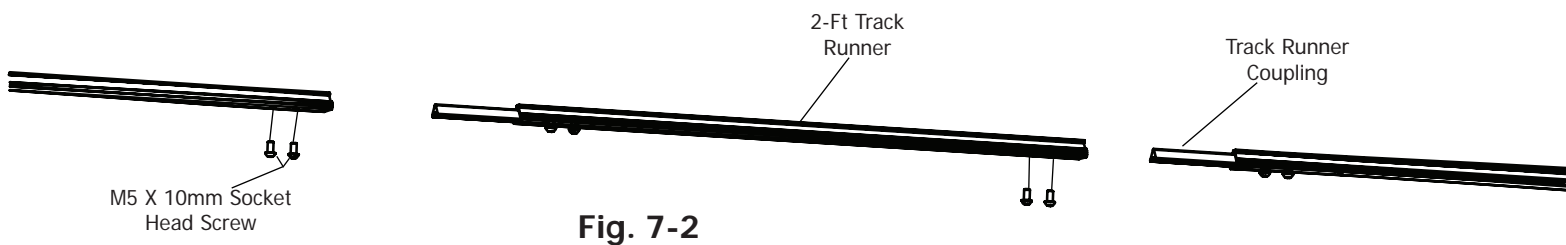
7-4: Thread (2) M5 X 10mm Socket Head Screws into the first two holes on the 2-Ft Track Runner, to tighten the coupling in place, as shown in Fig 7-1.

7-5: Take out the third screw used as stop once the coupling is secured in place.

7-6: Slide the Left Track Runner onto coupling, in the 2-Ft Track Runner. Then on the other side of the 2-Ft Track Runner slide on the coupling in the Right Track Runner, as shown in Fig 7-2.

7-7: Thread in (2) M5 X 10mm Socket Head Screws into the inside holes on each Track Runner, as shown in Fig 7-2.

Note: Screws locking coupling in place will not thread in all the way.



Note: Try to make the top surface of Track Runners as flush as possible.

7-8: Repeat Steps 7-1 through 7-7 for the other Track Runner Assembly.

7-9: Slide a piece of 12-Ft Long Plastic Track into each side of the track runners.

7-10: Place Track Runner Assemblies on the frame.

7-11: Slide M5 X 10mm Socket Head Screws through M5 Flat Washer and into the Track Runner from underneath the frame, as shown in Fig 7-3. Tighten screws to secure Track Runners in place.

Note: Use the Bottom Carriage to help you place the Track Runners in the proper locations.

Step 8: Table

Parts Needed:

- 1- 2-Ft Plastic Table
- 2- Backing Tape

8-1: Place a piece of backing tape on the back 2-Ft Track Support. Leave the top side of backing tape still covered.

8-2: Peel off the nonstick cover from the Backing Tape, from the Table Support and 2-Ft Track Support.

8-3: Align the plastic tables by setting the first table in all the way forward touching the front track runner. Align the edge of the table with middle seam of the track runners. Slowly lower table to the backing tape. Attach the plastic table, **with the textured surface side up**. Repeat for the other two tables, placing tables against the edge of each table and press the tables firmly against the Backing Tape.

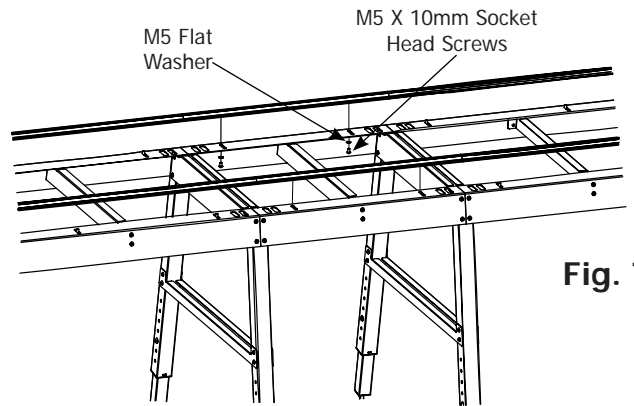


Fig. 7-3

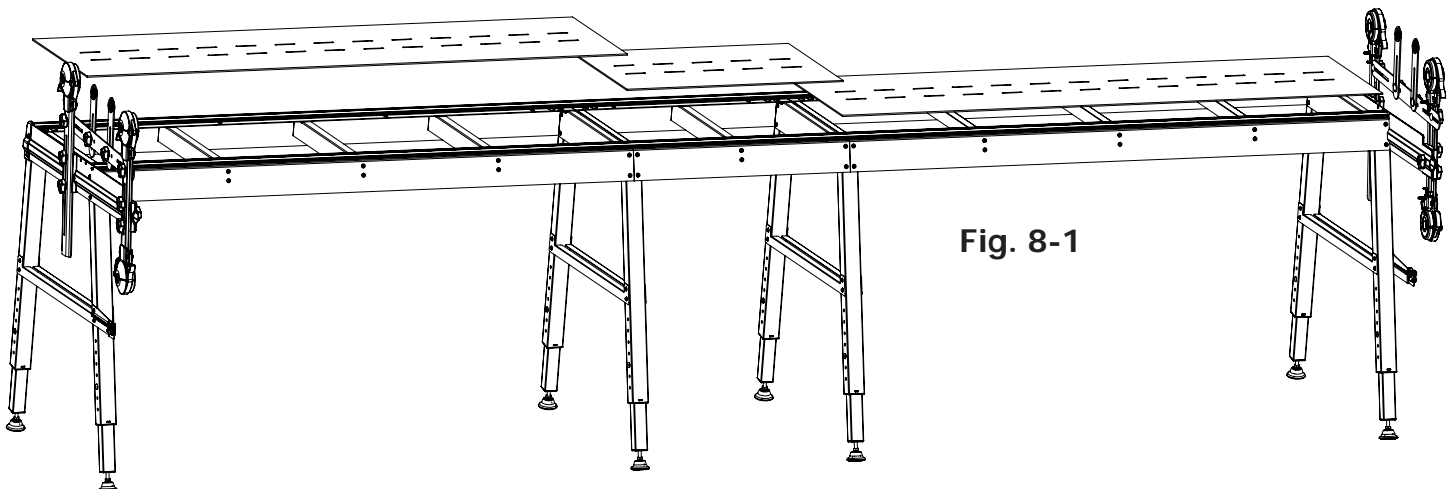
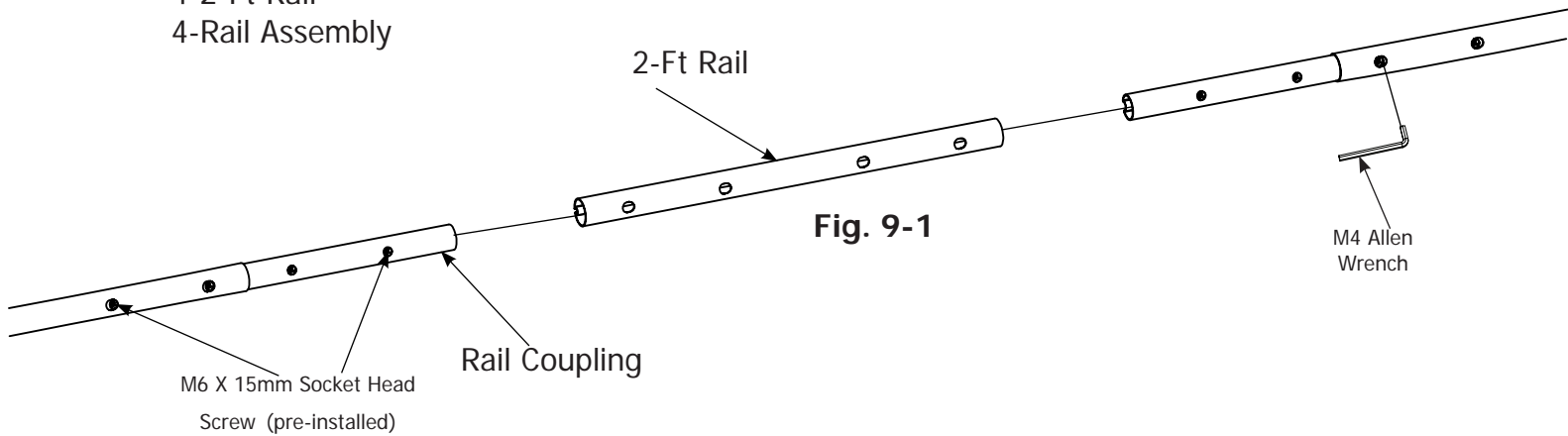


Fig. 8-1

Step 9: Rail Assembly

Parts Needed:

- 4-Rail coupling
- 4-2-Ft Rail
- 4-Rail Assembly



9-1: Loosen (2) screws in the slots, on the left rail, of each rail assembly. Pull the Rails apart leaving coupling still attached to right side of rail assembly.

Note: Don't thread the M6 X 15mm Socket Head Screws out all the way.

9-2: Slide a Rail Coupling into the Left Rail and 2-Ft Rail. Align the slots on each rail with the slots in the Rail Coupling. Tighten the (4) pre-installed screws in the coupling.

Note: It might be a tight fit inserting the Rail Coupling into the rails to insure quality.

9-3: Slide the other end of the 2-Ft Rail over the Rail Coupling on the Right Rail assembly and tighten the screws, as shown in Fig 9-1.

9-4: Once your sewing machine is in place on the frame, insert the Take Up Rail through the throat of your sewing machine and into the ratchet housings.

9-5: Insert the (2) Rail Assemblies into the ratchet housing.

9-6: Insert The Fourth Rail Assembly into the Right and Left Side Leg Brace.

Congratulations! Assembly of your 12-Ft Quilting Frame is now complete.

- You can now enjoy quilting on your new quilting Frame
- For questions on installing your fabric or for further questions, on assembly, of your quilting frame, please refer to your Majestic Quilting Frame instruction booklet.
- For any further questions please contact your dealer or The Grace Company directly at 1-800-264-0644 or info@graceframe.com.